

Cable Duct

Cable duct systems are ideal for both indoor and outdoor installations (subject to correct material finish). Cable duct offers a solution that ensures cables are fully enclosed and has removable lids for installation access. Screw lid cable duct comes complete with screws for the lids.

Cable duct systems are available in 2400mm lengths with pre-manufactured bends, tees, risers and crosses also available.

When ordering Cable duct systems remember to specify the width and the height required. Burndy Cable Support Systems can supply standard sizes 50x50mm, 75x75mm, 100x100mm and 150x100mm. Custom sizes are available and are made to order against firm orders. Burndy Cable Support Systems can supply duct in custom sizes if required.

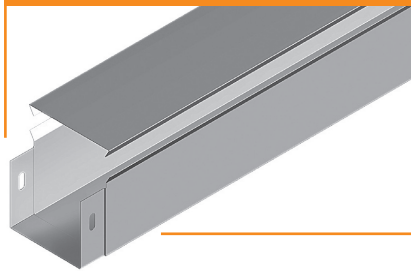
The more common duct is clip lid, screw lid systems can be utilised when extra security is required. Duct lengths and fittings come complete with inbuilt splice plates for ease of installation.

Burndy Cable Support Systems cable duct is available in pre-gal, heavy duty gal, aluminium and stainless steel. It is also available in a range of powder coated colors.



*Heavy duty gal, aluminium, stainless steel and powder coated are all made to order against firm orders only.

Cable Duct - Clip Lid



Specifications

SURFACE FINISH

| Available Finish | Code |
|------------------|------|
| Pre-Galvanised | G |
| Heavy Duty Gal | H |
| Aluminium | A |
| Stainless Steel | S |

NOTE

Aluminium, heavy duty galvanised and stainless steel products are manufactured against firm orders only. Powder coating and special finishes on request against firm orders only and are non returnable.

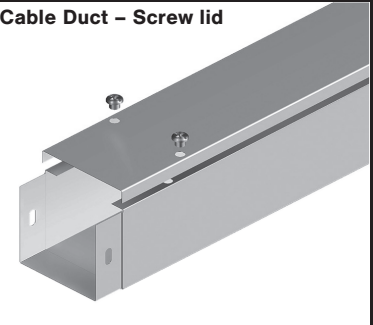
| Ordering Code | Width W mm | Height H m |
|---------------|------------|------------|
| DCL5050 | 50 | 50 |
| DCL7575 | 75 | 75 |
| DCL100100 | 100 | 100 |
| DCL150100 | 150 | 100 |

INFORMATION

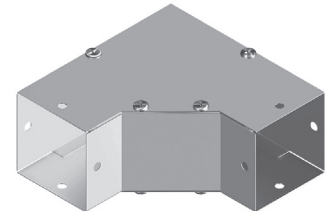
- Joining screws (PS610Z) and nuts (FN6Z) sold separately.
- Two (2) required per joint. Product code WIZ.
- Supplied in standard 2.4 metre lengths.

Cable Duct Full Range:

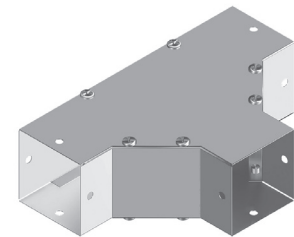
Cable Duct - Screw lid



Combination Bend Riser



Combination Tee



Scan the QR Code to view our Cable Duct Full Range