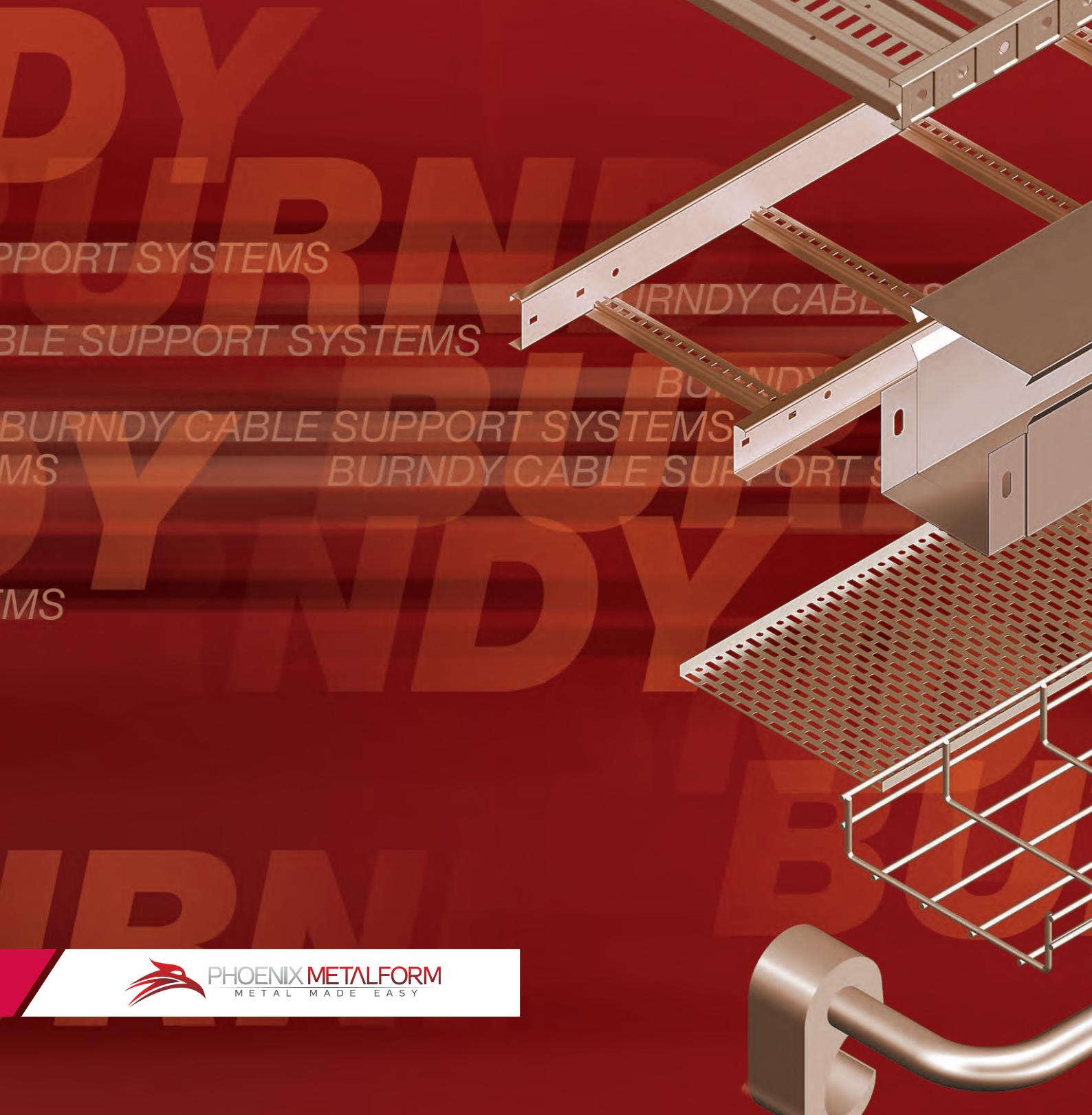


BURNDY

Cable Support Systems

FIRST CHOICE FOR • TRAY • LADDER • STRUT • HYGROUND • CABLE MESH



PHOENIX METALFORM
METAL MADE EASY

Queensland**Brisbane Branch**

131 Beenleigh Road, Acacia Ridge
Queensland, 4110
Phone 07 3219 6108
Fax 07 3219 6208
email burndy.qld@burndycss.com.au

Townsville Branch

75 - 81 Toll Street, Mount St John
Queensland, 4818
Phone 1300 287 639
Fax 1300 329 669
email burndy.qld@burndycss.com.au

New South Wales

11 Sunblest Crescent, Mt Druitt, New South Wales 2770
Phone 02 9832 3377
Fax 02 9832 0733
email burndy.nsw@burndycss.com.au

Western Australia

91 - 93 McDowell Street, Welshpool, Western Australia, 6106
Phone 08 9458 1188
Fax 08 9458 1182
email burndy.wa@burndycss.com.au

Tasmania

Gordon Wood & Co
31 Sunderland Street, Moonah, Tasmania 7009
Phone 03 627 34455
Fax 03 627 34734
email wgordon@iinet.com.au

1300 BURNDY**(1300 287 639)****1300 FAX NOW****(1300 329 669)**

Introduction

Burndy is an Australian owned and operated company. Our products are Australian made to Australian standards.

Pioneers of the original Laddertray systems, Burndy are considered by many to have established the benchmark for quality and performance in commercial construction applications.

For over 35 years, it has been widely held that Burndy have been leaders in their field. Their continuous efforts at improving both products and services have been rewarded by a wide and growing user base and resellers.

Established in 1982, Phoenix Metalform, the parent company of Burndy, are a significant participant in sheet metal roll forming and fabrication.

With branch offices throughout Australia, Burndy is always conveniently placed to service its customers.

Manufactured in a wide range of materials including Hot Dip Galvanised Steel, Aluminium and Stainless Steel, there is a Burndy product to suit your specific application and environmental conditions.

Always striving to meet the growing demands of a sophisticated market, the Burndy range has evolved to provide a genuine one stop shop with the ability to satisfy your cable support needs.

Our mission is to be your first choice for the supply of cable support systems in Australia, and having a dedicated team of professionals is an essential platform in achieving that goal.

You can be assured of Burndy's commitment to continually improving our range, our product quality, our value for money and our delivery turnaround time.



Galvanic Corrosion

One of the prime factors to consider in achieving a long service life is to minimise the destructive effects of galvanic corrosion brought about by having dissimilar metals in close contact and in the presence of an electrolyte.

Dissimilar metals in the presence of an electrolyte (which can be just water) can set up a galvanic couple which will cause the anodic metal to corrode more quickly than it otherwise would.

Metals can be arranged into a chart or table called a galvanic series which gives an indication of which metal will act as an anode and which as the cathode, with the anode suffering an increased rate of corrosion.

This chart provides a straightforward guide to material selection. In simple terms, galvanic corrosion will increase as the distance between the chosen metals in the table increases.

The effects of galvanic corrosion can be greatly inhibited or even eliminated altogether by methods including:

1. Electrically insulating the two metals from one another through the use of insulating washers or grease.
2. Employing a paint or epoxy coating to seal the metal from contact with an electrolyte.
3. Using metals which are located as closely as possible on the galvanic series table.

The table below shows the position of some common metals in the Galvanic Series.



Material Corrosion Chart

Benzene	N/A	R	R	R	NR
Carbon Tetrachloride	N/A	C	R	R	C
Gasoline	R	R	R	R	C
Hydrochloric Acid 40%	NR	NR	NR	NR	C
Hydrochloric Acid 10%	NR	NR	NR	NR	R
Hydrochloric Acid 2%	NR	NR	NR	NR	R
Hydrogen Peroxide 30%	N/A	R	R	R	C
Hydrogen Peroxide 3%	N/A	R	R	R	C
Hydrogen Sulphide (Gas)	N/A	R	C	R	R
Mineral Spirits	N/A	R	N/A	N/A	NR
Motor Oil	R	R	R	R	R
Nitric Acid	N/A	C	R	R	C
Phosphoric Acid 2%	NR	C	R	R	R
Sodium Chloride 25%	C	C	R	R	R
Sulphuric Acid 2%	NR	C	NR	R	R
Water-Deionised	C	R	R	R	R
Water-Sea	C	C	R	R	R
Water-Tap	R	R	C	C	R

R = Recommended **C** = Conditions dependant **NR** = Not Recommended **N/A** = Info not avail

The above Corrosion Chart gives an indication of the suitability of materials in a corrosive environment. Although providing a good guide, it is recommended that the use of this table should be supported by actual testing.

Standards Information

Pre Galvanised to AS 1397
 Hot Dipped Galvanised to AS/NZS1365, AS1594, AS/NZS4680
 Stainless Steel to AS1449, AS2837

1 CHANNELS

Channels	1.1
B1000 Channel	1.1
B2000 Channel - Steel	1.2
B2000 Channel - Aluminium	1.3
B3300 Channel	1.4
B4000 Channel - Steel	1.5
B4000 Channel - Aluminium	1.6
B5500 Channel	1.7
Slotted Channels	1.8
B1000T Slotted Channel	1.8
B2000T Slotted Channel	1.9
B3300T Slotted Channel	1.10
B4000T Slotted Channel	1.11
B5500T Slotted Channel	1.12
Concrete Insert Channels	1.13
B1000CIH	1.13
B3300CIH	1.14
Back to Back Channels	1.15
B1001	1.15
B2001	1.15
B3301	1.15
B4001	1.15
B5501	1.15
B1003H	1.15
B1001A	1.16
B1001B	1.16
B1001C	1.16

Slotted Angle **1.17**

SA Slotted Angle	1.17
------------------	------

2 NUTS & BOLTS

Hex Screw	2.1
Hex Nut	2.1
Pan Screw	2.2
Flat Washer	2.2
Spring Washer	2.2
Mudguard Washer	2.3
Threaded Rod	2.3
Rod Coupler	2.3
Channel Nut without Spring	2.3
Channel Nut with Long Spring	2.4
Channel Nut with Short Spring	2.4
Slip and Pullout Information	2.4
Channel Nut without Spring	2.5
Sleeve Anchor	2.5
Drop In Anchor	2.5
Wedge Nut	2.5
Rod Hanger-Vertical	2.6
Rod Hanger-Side	2.6
Vertigo Socket Driver	2.6

3 CANTILEVER BRACKETS

Cantilever Brackets **3.1**

Cantilever Bracket CL	3.1
Cantilever Bracket CLB	3.1
Cantilever Bracket CLD	3.1
B10754H	3.2
B10758H	3.2

4 CHANNEL FITTINGS

Channel Fittings	4.1
B1062 to B1964	4.1
B1065	4.1
B1066	4.1
B1067	4.2
B1358	4.2
B1941	4.2
B2324	4.2
B1031	4.3
B1026	4.3
B1036	4.3
B1068	4.3
B1326	4.4
B1325	4.4
B1458	4.4
B2484	4.4
B1037	4.5
B1033	4.5
B1038	4.5
B1033-1	4.5
B1359	4.6
B1045	4.6
B4045	4.6
B1357	4.6
B4047	4.7
B1546	4.7
B1186	4.7
B1047	4.7
B2224	4.8

B2228	4.8
B2346	4.8
B1376	4.8
B1377	4.9
B2072S1	4.9
B1044	4.9
B2072A	4.9
B2073	4.10
B2815	4.10
B5547H	4.10
B2815D	4.10
B1354	4.11
B2452	4.11
Beam Clamps	4.12
B1271	4.12
B1386	4.12
B1272	4.12
B1796	4.13
B2785	4.13
B2786	4.13
B3087	4.14
BC10H	4.15
PC10Z	4.15
BC12H	4.15
BVMP10Z, BHMP10Z and BCMP10Z	4.15
B2749	4.16
B2675 and B2675-1	4.16
B2676 and B2676-1	4.16
B2750	4.16

Channel Covers, Joiners and Hangers 4.17

B1184	4.17
B3380	4.17
B2855	4.17
B2240	4.17
B5580	4.17
B2539	4.17
B922J	4.18
B2377Z	4.18
B422J	4.18
B1220B	4.19
B1222C	4.19
B1221T	4.19

Channel Accessories 4.20

B5 Cable and Pipe Clamps	4.20
B2600 Isolation Strip	4.20

5 LADDERTRAYS

LT1 Laddertrays and Accessories 5.1

LT1 Laddertray	5.1
LT1SG	5.1
LT1RLG	5.1
LT1RPG	5.1

LT3 Laddertrays 5.2

LT3 Laddertray	5.2
----------------	-----

LT3 Laddertray - Accessories 5.3

LTCHD	5.3
LT3S	5.3
LT3HD	5.3

LT3RL	5.3
LT3TXH	5.4
LT3RP	5.4
LTNUT and LTBOLT	5.4
DSL3 (Divider Strip to suit LT3 Laddertray)	5.4
LTT5 (Trapeze Supports to Suit LT3 and LT5)	5.5
Earth Straps	5.5
B1033-1 Laddertray Hanging System	5.5
LT5 Laddertrays	5.6
LT5 Laddertray	5.6
LT5 Laddertray - Accessories	5.7
Earth Straps	5.7
LT5S	5.7
LT5HD	5.7
LT5RL	5.7
LT5TX	5.7
LT5RP	5.8
LTNUT and LTBOLT	5.8
DSL5 (Divider Strip to suit LT5 Laddertray)	5.9
LTT5 (Trapeze Supports to Suit LT3 and LT5)	5.9
B1033-1 Laddertray Hanging System	5.9
Laddertray LT3/LT5/BCM - Laddertray/Cable Mesh Covers	5.10
Laddertray LT3/LT5 - Flat Cover	5.10
Laddertray LT3/LT5 - Peaked Cover	5.10
Laddertray Assembly	5.11
Cable Ducts	5.15
Cable Duct - Clip Lid	5.15
Cable Duct - Screw Lid	5.16
Combination Bend Riser	5.17

Combination Tee	5.18	
Cable Trays		5.19
Cable Tray	5.19	
Cable Tray Bend	5.19	
Cable Tray Tee	5.20	
6 CABLE MESH		
Wire Mesh Cable Trays		6.1
BCM50 Wire Mesh Cable Trays	6.1	
Fixing and Accessories		6.2
BCMCP Coupler	6.2	
BCMSP Fast Fix Splicer	6.2	
BCMSB Strengthening Bar	6.2	
BCMCPF Coupler Fastlock	6.3	
BCMCG Cable Guide	6.3	
BCMHH Hanging Hook	6.3	
BCMT Trapeze (Zinc Plated)	6.4	
BCMT Trapeze (Pre-Galvanised)	6.4	
BCMWB L Type Wall Bracket	6.5	
BCMC Cantilever Bracket	6.5	
BCMHD	6.5	
Earth Straps	6.6	
BCMCCS Mesh Cover Clamp	6.6	
BCMUB Universal Bracket	6.6	
BCMUC Cutter	6.6	
BCMCHD Centre Hold Down Bracket	6.6	
BCMST Fast Lock Splice Assistance Tool	6.6	
Assembly Guides		6.7
90° Short Bend - Assembled from Two Straight Sections	6.7	
90° Long Radius Bend	6.7	

Reducers	6.8
Horizontal Tees	6.8
Vertical Inside and Outside Bend	6.9

7 STEEL LADDERS

Galvanised and Stainless Steel Ladders - NEMA 1 (12B) 7.1

NEMA 1 Cable Ladder	7.1
NEMA 1 Riser Ladder	7.2
NEMA 1 Cable Ladder - Bend	7.3
NEMA 1 Cable Ladder - Tee	7.3
NEMA 1 Cable Ladder - External Riser	7.4
NEMA 1 Cable Ladder - Internal Riser	7.4
NEMA 1 Cable Ladder - Cross	7.5
NEMA 1 Cable Ladder - Straight Reducer	7.5
NEMA 1 Cable Ladder - Left Hand Reducer	7.6
NEMA 1 Cable Ladder - Right Hand Reducer	7.7

Galvanised and Stainless Steel Ladders - NEMA 1 - Accessories (12B) 7.8

NEMA 1 Splice Plate	7.8
NEMA 1 Vertical Splice Plate	7.8
NEMA Horizontal 1 Splice Plate	7.8
NEMA 1 Cover Clamp	7.9
NEMA 1 Divider Strip	7.9
NEMA 1 Hold Down Bracket	7.9
NEMA 1 Splice Hanging Bracket	7.10

Galvanised and Stainless Steel Ladders - NEMA 2 (16A) 7.11

NEMA 2 Cable Ladder	7.11
NEMA 2 Cable Ladder	7.12
NEMA 2 Cable Ladder - Bend	7.13
NEMA 2 Cable Ladder - Tee	7.14
NEMA 2 Cable Ladder - External Riser	7.15

NEMA 2 Cable Ladder - Internal Riser	7.16
NEMA 2 Cable Ladder - Cross	7.17
NEMA 2 Cable Ladder - Straight Reducer	7.18
NEMA 2 Cable Ladder - Left Hand Reducer	7.19
NEMA 2 Cable Ladder - Right Hand Reducer	7.20
Galvanised and Stainless Steel Ladders - NEMA 2 (16A) - Accessories	7.21
<hr/>	
NEMA 2 Splice	7.21
NEMA 2 Vertical Splice	7.21
NEMA 2 Horizontal Splice	7.21
SB Splice Bolt & SN Splice Nut	7.21
NEMA 2 Cover Clamp	7.22
NEMA 2 Divider Strip	7.22
NEMA 2 Hold Down Bracket	7.22
Earth Straps	7.22
Galvanised and Stainless Steel Ladders - NEMA 3 (20B)	7.23
<hr/>	
NEMA 3 Cable Ladder	7.23
NEMA 3 Cable Ladder	7.24
Galvanised and Heavy Duty 2mm Steel Ladders - NEMA 3 (20B)	7.25
<hr/>	
NEMA 3 Cable Ladder	7.25
Galvanised and Stainless Steel Ladders - NEMA 3 (20B)	7.26
<hr/>	
NEMA 3 Cable Ladder - Bend	7.26
NEMA 3 Cable Ladder - Tee	7.27
NEMA 3 Cable Ladder - External Riser	7.28
NEMA 3 Cable Ladder - Internal Riser	7.29
NEMA 3 Cable Ladder - Cross	7.30
NEMA 3 Cable Ladder - Straight Reducer	7.31
NEMA 3 Cable Ladder - Left Hand Reducer	7.32
NEMA 3 Cable Ladder - Right Hand Reducer	7.33

Galvanised and Stainless Steel Ladders - NEMA 3 - Accessories (20B)	7.34
<hr/>	
NEMA 3 Splice	7.34
NEMA 3 Vertical Splice	7.34
NEMA 3 Horizontal Splice	7.34
SB Splice Bolt & SN Splice Nut	7.35
NEMA 3 Cover Clamp	7.35
NEMA 3 Divider Strip	7.35
NEMA 3 Hold Down Bracket	7.36
Earth Straps	7.36
Galvanised and Stainless Steel Ladders - NEMA 4 (20C)	7.37
<hr/>	
NEMA 4 Cable Ladder	7.37
Galvanised and Heavy Duty 2mm Steel Ladders - NEMA 4 (20C)	7.38
<hr/>	
NEMA 4 Cable Ladder	7.38
Galvanised and Stainless Steel Ladders - NEMA 4 (20C)	7.39
<hr/>	
NEMA 4 Cable Ladder - Bend	7.39
NEMA 4 Cable Ladder - Tee	7.40
NEMA 4 Cable Ladder - External Riser	7.41
NEMA 4 Cable Ladder - Internal Riser	7.42
NEMA 4 Cable Ladder - Cross	7.43
NEMA 4 Cable Ladder - Straight Reducer	7.44
NEMA 4 Cable Ladder - Left Hand Reducer	7.45
NEMA 4 Cable Ladder - Right Hand Reducer	7.46
Galvanised and Stainless Steel Ladders - NEMA 4 - Accessories (20C)	7.47
<hr/>	
NEMA 4 Splice	7.47
NEMA 4 Vertical Splice	7.47
NEMA 4 Horizontal Splice	7.47
SBH Splice Bolt & SNH Splice Nut	7.47
NEMA 4 Cover Clamp	7.48
NEMA 4 Divider Strip	7.48

NEMA 4 Hold Down Bracket	7.48
Earth Straps	7.49

8 ALUMINIUM LADDERS

Aluminium Ladders - NEMA 1 (12A) 8.1

NEMA 1 Cable Ladder - Aluminium	8.1
NEMA 1 Cable Ladder - Bend - Aluminium	8.2
NEMA 1 Cable Ladder - Tee - Aluminium	8.3
NEMA 1 Cable Ladder - External Riser - Aluminium	8.4
NEMA 1 Cable Ladder - Internal Riser - Aluminium	8.5
NEMA 1 Cable Ladder - Cross - Aluminium	8.6
NEMA 1 Cable Ladder - Straight Reducer - Aluminium	8.7
NEMA 1 Cable Ladder - Left Hand Reducer - Aluminium	8.8
NEMA 1 Cable Ladder - Right Hand Reducer - Aluminium	8.9

Aluminium Ladders - NEMA 1 - Accessories (12A) 8.10

NEMA 1 Splice Plate - Aluminium	8.10
NEMA 1 Vertical Splice Plate - Aluminium	8.10
NEMA 1 Horizontal Splice Plate - Aluminium	8.10
NEMA 1 Divider Strip - Aluminium	8.10
Stainless Steel Fasteners and Insulating Bushes	8.11
BIFS Burndy Interface Spacer	8.11
NEMA 1 Cover Clamp for Aluminium	8.11
NEMA 1 Hold Down Unit - Aluminium	8.12

Aluminium Ladders - NEMA 2 (16A) 8.13

NEMA 2 Cable Ladder - Aluminium	8.13
NEMA 2 Cable Ladder - Bend - Aluminium	8.14
NEMA 2 Cable Ladder - Tee - Aluminium	8.15
NEMA 2 Cable Ladder - External Riser - Aluminium	8.16
NEMA 2 Cable Ladder - Internal Riser - Aluminium	8.17
NEMA 2 Cable Ladder - Cross - Aluminium	8.18

NEMA 2 Cable Ladder - Straight Reducer - Aluminium	8.19
NEMA 2 Cable Ladder - Left Hand Reducer - Aluminium	8.20
NEMA 2 Cable Ladder - Right Hand Reducer - Aluminium	8.21
Aluminium Ladders - NEMA 2 - Accessories (16A)	8.22
NEMA 2 Splice Plate - Aluminium	8.22
NEMA 2 Vertical Splice Plate - Aluminium	8.22
NEMA 2 Horizontal Splice Plate - Aluminium	8.22
NEMA 2 Divider Strip - Aluminium	8.22
Stainless Steel Fasteners and Insulating Bushes	8.23
BIFS Burndy Interface Spacer	8.23
NEMA 2 Cover Clamp for Aluminium	8.23
NEMA 2 Hold Down Unit - Aluminium	8.24
Aluminium Ladders - NEMA 3 (20A)	8.25
NEMA 3 Cable Ladder - Aluminium	8.25
NEMA 3 Cable Ladder - Bend - Aluminium	8.26
NEMA 3 Cable Ladder - Tee - Aluminium	8.27
NEMA 3 Cable Ladder - External Riser - Aluminium	8.28
NEMA 3 Cable Ladder - Internal Riser - Aluminium	8.29
NEMA 3 Cable Ladder - Cross - Aluminium	8.30
NEMA 3 Cable Ladder - Straight Reducer - Aluminium	8.31
NEMA 3 Cable Ladder - Left Hand Reducer - Aluminium	8.32
NEMA 3 Cable Ladder - Right Hand Reducer - Aluminium	8.33
Aluminium Ladders - NEMA 3 - Accessories (20A)	8.34
NEMA 3 Splice Plate - Aluminium	8.34
NEMA 3 Vertical Splice Plate - Aluminium	8.34
NEMA 3 Horizontal Splice Plate - Aluminium	8.34
Stainless Steel Fasteners and Insulating Bushes	8.34
NEMA 3 Divider Strip - Aluminium	8.35
BIFS Burndy Interface Spacer	8.35

NEMA 3 Cover Clamp for Aluminium	8.35
NEMA 3 Hold Down Unit - Aluminium	8.36
Aluminium Ladders - NEMA 4 (20C)	8.37
<hr/>	
NEMA 4 Cable Ladder - Aluminium	8.37
NEMA 4 Cable Ladder - Bend - Aluminium	8.38
NEMA 4 Cable Ladder - Tee - Aluminium	8.39
NEMA 4 Cable Ladder - External Riser - Aluminium	8.40
NEMA 4 Cable Ladder - Internal Riser - Aluminium	8.41
NEMA 4 Cable Ladder - Cross - Aluminium	8.42
NEMA 4 Cable Ladder - Straight Reducer - Aluminium	8.43
NEMA 4 Cable Ladder - Left Hand Reducer - Aluminium	8.44
NEMA 4 Cable Ladder - Right Hand Reducer - Aluminium	8.45
Aluminium Ladders - NEMA 4 - Accessories (20C)	8.46
<hr/>	
NEMA 4 Splice Plate - Aluminium	8.46
NEMA 4 Vertical Splice Plate - Aluminium	8.46
NEMA 4 Horizontal Splice Plate - Aluminium	8.46
Stainless Steel Fasteners and Insulating Bushes	8.46
NEMA 4 Divider Strip - Aluminium	8.47
BIFS Burndy Interface Spacer	8.47
NEMA 4 Cover Clamp for Aluminium	8.47
NEMA 4 Hold Down Unit - Aluminium	8.48
9 FIRE RATED	
<hr/>	
FR50L Fire Rated Ladder (NEMA 2 Side Rail)	9.2
<hr/>	
FR50L AS/NZ 3013:2005 Fire Rated Ladder Arrangement	9.2
FR50VL Fire Rated Ladder (NEMA 2 Side Rail)	9.4
<hr/>	
FR50VL AS/NZ 3013:2005 Fire Rated Ladder Arrangement	9.4
FR60L Fire Rated Ladder (NEMA 3 Side Rail)	9.6
<hr/>	
FR60L AS/NZ 3013:2005 Fire Rated Ladder Arrangement	9.6

FR70L Fire Rated Ladder (NEMA 4 Side Rail)	9.8
FR70L AS/NZ 3013:2005 Fire Rated Ladder Arrangement	9.8
FR100L Fire Rated Ladder (NEMA 4 Side Rail)	9.10
FR100L AS/NZ 3013:2005 Fire Rated Ladder Arrangement	9.10
FR150L Fire Rated Ladder (NEMA 4 Side Rail)	9.12
FR150L AS/NZ 3013:2005 Fire Rated Ladder Arrangement	9.12
FR50LT3 Fire Rated Laddertray (LT3)	9.14
FR50LT3 AS/NZ 3013:2005 Fire Rated Laddertray Arrangement	9.14
FR12LT5 Fire Rated Laddertray (LT5)	9.16
FR12LT5 AS/NZ 3013:2005 Fire Rated Laddertray Arrangement	9.16
FR20LT5 Fire Rated Laddertray (LT5)	9.18
FR20LT5 AS/NZ 3013:2005 Fire Rated Laddertray Arrangement	9.18
FR7BCM Fire Rated Cable Mesh	9.20
FR7BCM AS/NZ 3013:2005 Fire Rated Cable Mesh Arrangement	9.20
FR5C Fire Rated Cable Channel	9.22
FR5C AS/NZ 3013:2005 Fire Rated Cable Channel Arrangement	9.22
Fire Rated Accessories	9.24
Fire Rated Swivel Bracket Heavy Duty	9.24
Fire Rated Swivel Bracket Medium Duty	9.24
Fire Rated Beam Clamp	9.24
Fire Rated Cantilever Bracket	9.25

10 COVERS

Cable Ladder Flat Covers - NEMA 1 (12B)	10.1
NEMA 1 Cable Ladder - Flat Cover	10.1
Cable Ladder Flat Covers - NEMA 2 (16A)/NEMA 3 (20B)/NEMA 4 (20C)	10.2
NEMA 2 / NEMA 3 / NEMA 4 Cable Ladder - Flat Cover	10.2
NEMA 2 / NEMA 3 / NEMA 4 Cable Ladder - Flat Cover 'Rail-In'	10.4

Cable Ladder Peaked Covers - NEMA 1 (12B)	10.6
<hr/>	
NEMA 1 Cable Ladder - Peaked Cover (15 Degree Peak)	10.6
Cable Ladder Peaked Covers - NEMA 2 (16A)/NEMA 3 (20B)/NEMA 4 (20C)	10.8
<hr/>	
NEMA 2 / NEMA 3 / NEMA 4 Cable Ladder Peaked Cover (15 Degree Peak)	10.8
NEMA 2 / NEMA 3 / NEMA 4 Cable Ladder Peaked Cover (15 Degree Peak) 'Rail In'	10.10
Cable Ladder Fitting Covers	10.12
<hr/>	
Cable Ladder - Bend Cover	10.12
Cable Ladder - Tee Cover	10.13
Cable Ladder - External Riser Cover	10.14
Cable Ladder - Internal Riser Cover	10.15
Cable Ladder - Cross Cover	10.16
Cable Ladder - Straight Reducer Cover	10.17
Cable Ladder - Left Hand Reducer Cover	10.18
Cable Ladder - Right Hand Reducer Cover	10.19

11 HYGROUND

Hyground Compression Grounding System	11.1
<hr/>	
Hyground Connectors	11.2
<hr/>	
Hyground YGHC	11.2
Hyground YGHP	11.2
Hyground YGL	11.3
Flexible Copper Braids	11.4
<hr/>	
Flexible Copper Braids	11.5
Installation Tooling	11.6
<hr/>	

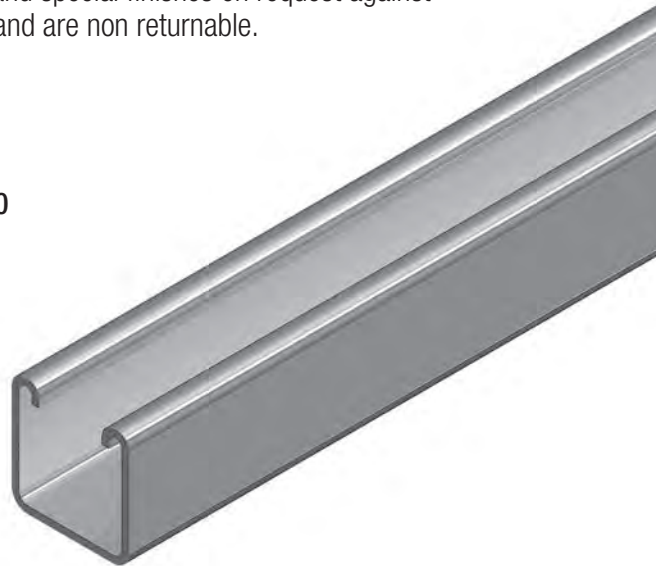
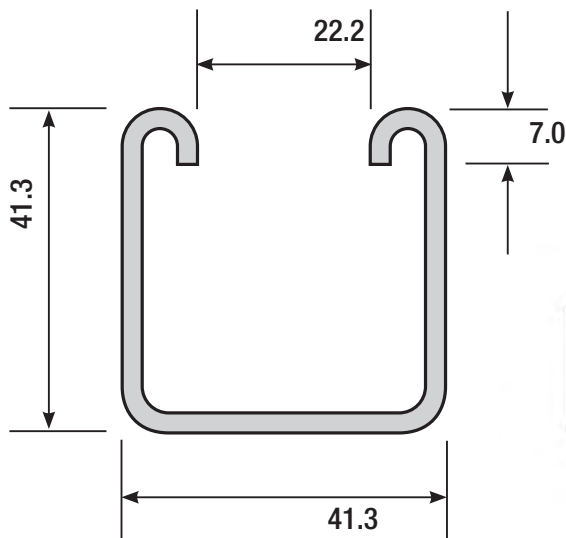
INDEX

- Material Specification**
- Thickness 2.5 mm (mild steel)
 - 2.5 mm (Stainless Steel)
 - 3.5 mm (Fibreglass - Dimensions 42 x 42)
 - Length 6 metres

Ordering Details - Supplied in standard 6 metre lengths.

Available Finish	Ordering Code
Black (untreated)	B1000B
Pre-Galvanised	B1000G
Hot Dip Galvanised	B1000H
Stainless Steel	B1000S
Fibreglass	B1000FRP (refer Sales Office for load data)

Note - Powder coating and special finishes on request against firm orders only and are non returnable.



Span (mm)	Maximum Allowable Load kg	Deflection at Allowable Load mm
250	1308	0.17
500	654	0.68
750	436	1.53
1000	328	2.72
1250	251	4.25
1500	218	6.13
1750	187	8.34
2000	163	10.90
2250	145	13.80
2500	131	17.03
2750	119	20.61
3000	109	24.56

B1000 Channel

▶ 15.7 kg per length

- CHANNELS 1
- NUTS & BOLTS 2
- CANTILEVER BRACKETS 3
- CHANNEL FITTINGS 4
- LADDERTRAYS 5
- CABLE MESH 6
- STEEL LADDERS 7
- ALUMINIUM LADDERS 8
- FIRE RATED 9
- COVERS 10
- HYGROUND 11

Material Specification

- Thickness 1.6 mm
- Length 6 metres

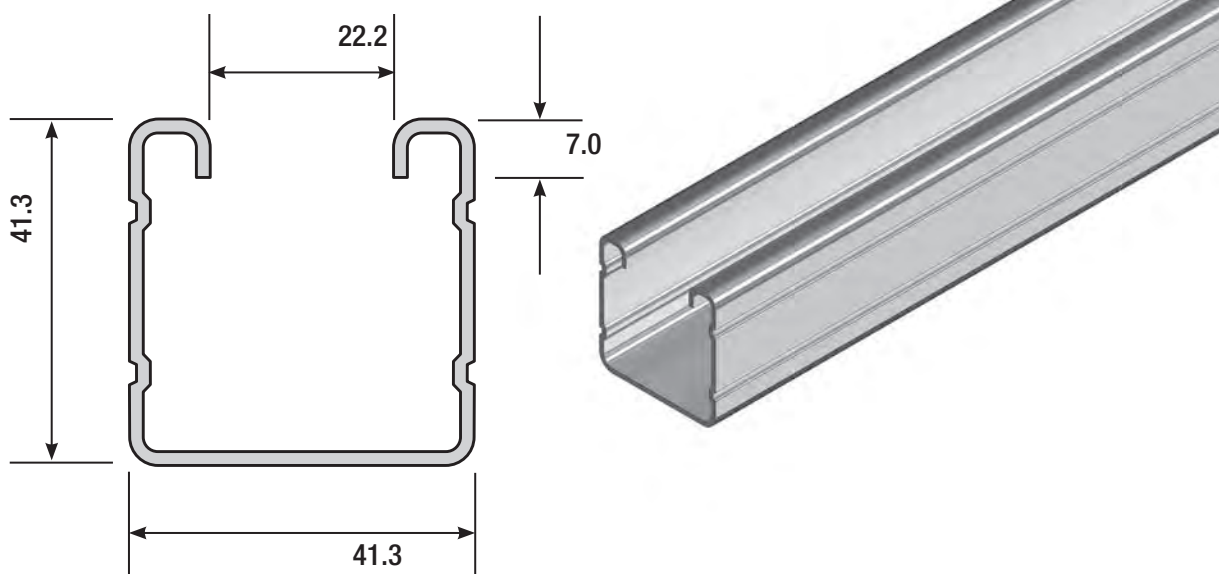
Ordering Details

- Supplied in standard 6 metre lengths.

Available Finish	Ordering Code
Pre-Galvanised	B2000G
Hot Dip Galvanised	B2000H

Note

- Powder coating and special finishes on request against firm orders only and are non returnable.



Span (mm)	Maximum Allowable Load kg	Deflection at Allowable Load mm
250	945	0.16
500	471	0.65
750	314	1.46
1000	236	2.59
1250	189	4.05
1500	157	5.84
1750	135	7.94
2000	117	10.37
2250	105	13.80
2500	94	16.20
2750	85	19.62
3000	78	23.24

B2000 Channel - Steel

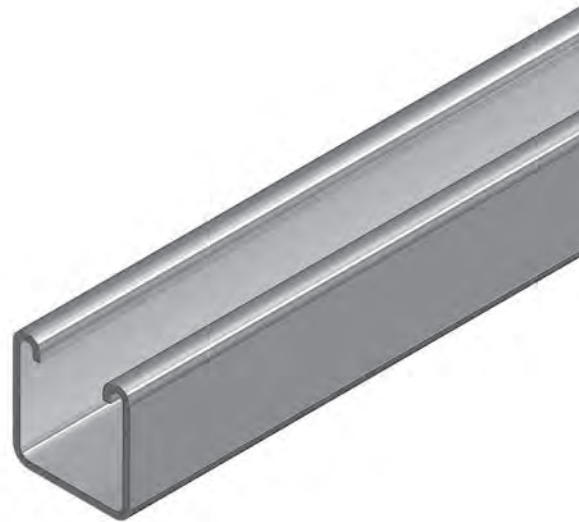
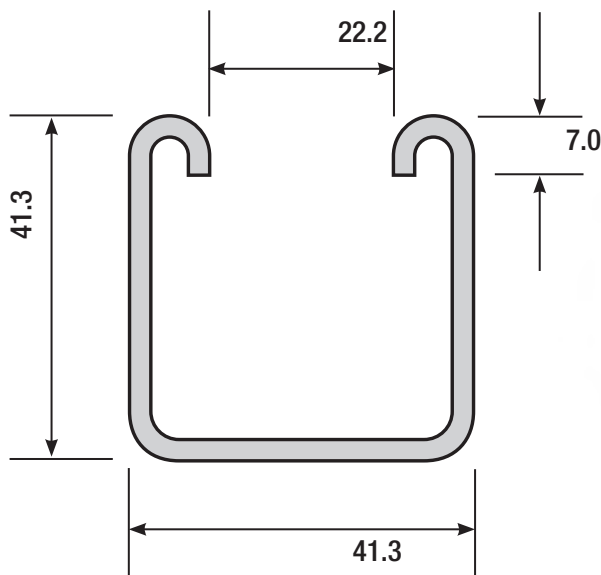
▶ 10.8 kg per length

- Material Specification**
- Thickness 2.5 mm (aluminium)
 - Length 6 metres

- Ordering Details**
- Supplied in standard 6 metre lengths.

Available Finish **Ordering Code**
 Aluminium B2000A

- Note**
- Aluminium channels are manufactured against firm orders only and are non returnable.
 - Powder coating and special finishes on request against firm orders only and are non returnable.



B2000 Channel - Aluminium

▶ 5.5 kg per length

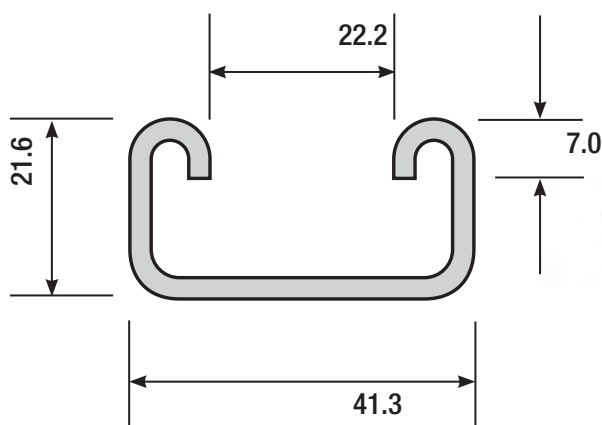
- CHANNELS 1
- NUTS & BOLTS 2
- CANTILEVER BRACKETS 3
- CHANNEL FITTINGS 4
- LADDERTRAYS 5
- CABLE MESH 6
- STEEL LADDERS 7
- ALUMINIUM LADDERS 8
- FIRE RATED 9
- COVERS 10
- HYGROUND 11

- Material Specification**
- Thickness 2.5 mm (mild steel)
2.5 mm (stainless Steel)
 - Length 6 metres

Ordering Details - Supplied in standard 6 metre lengths.

Available Finish	Ordering Code
Black (untreated)	B3300B
Pre-Galvanised	B3300G
Hot Dip Galvanised	B3300H
Stainless Steel	B3300S

Note - Powder coating and special finishes on request against firm orders only and are non returnable.



Span (mm)	Maximum Allowable Load kg	Deflection at Allowable Load mm
250	442	0.29
500	221	1.17
750	147	2.64
1000	110	4.69
1250	89	7.34
1500	73	10.57
1750	63	14.39
2000	55	18.79
2250	49	23.78
2500	44	29.35
2750	40	35.52
3000	37	43.37

B3300 Channel

▶ 10.9 kg per length

Material Specification

- Thickness 1.6 mm
- Length 6 metres

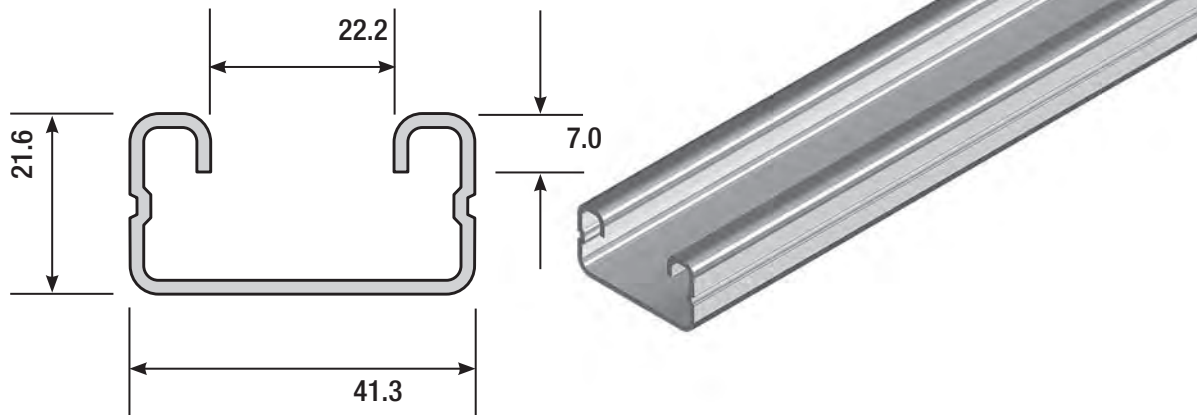
Ordering Details

- Supplied in standard 6 metre lengths.

Available Finish	Ordering Code
Pre-Galvanised	B4000G
Hot Dip Galvanised	B4000H

Note

- Powder coating and special finishes on request against firm orders only and are non returnable.



Span (mm)	Maximum Allowable Load kg	Deflection at Allowable Load mm
250	350	0.31
500	175	1.22
750	116	2.76
1000	88	4.89
1250	70	7.65
1500	58	11.02
1750	50	15
2000	44	19.59
2250	39	24.82
2500	35	30.61
2750	32	37.04
3000	30	44.15

B4000 Channel - Steel

▶ 7.6 kg per length

- CHANNELS 1
- NUTS & BOLTS 2
- CANTILEVER BRACKETS 3
- CHANNEL FITTINGS 4
- LADDERTRAYS 5
- CABLE MESH 6
- STEEL LADDERS 7
- ALUMINIUM LADDERS 8
- FIRE RATED 9
- COVERS 10
- HYGROUND 11

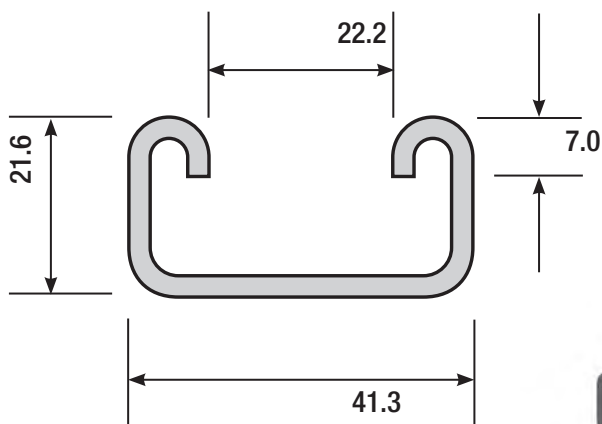
Material Specification - Thickness 1.5 mm (aluminium)
- Length 6 metres

Ordering Details - Supplied in standard 6 metre lengths.

Available Finish	Ordering Code
Aluminium	B4000A

Note

- Aluminium channels are manufactured against firm orders only and are non returnable.
- Powder coating and special finishes on request against firm orders only and are non returnable.



B4000 Channel - Aluminium

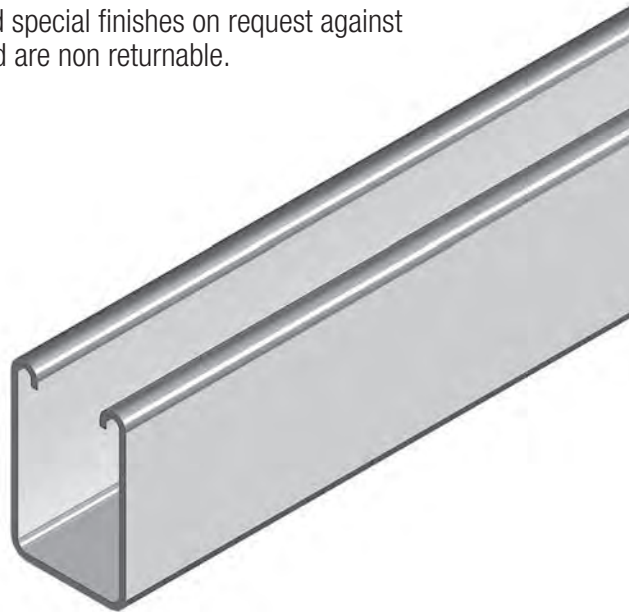
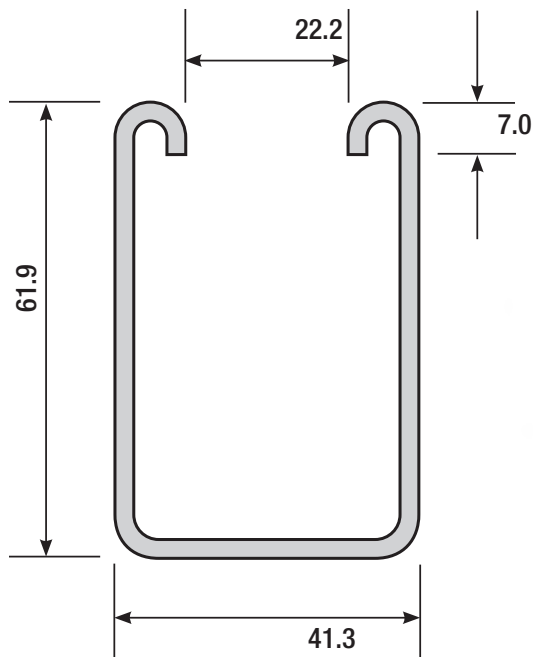
▶ 3.9 kg per length

Material Specification - Thickness 2.5 mm (mild steel).
 - Length 6 metres

Ordering Details - Supplied in standard 6 metre lengths.

Available Finish	Ordering Code
Pre-Galvanised	B5500G
Hot Dip Galvanised	B5500H

Note - Powder coating and special finishes on request against firm orders only and are non returnable.



Span (mm)	Maximum Allowable Load kg	Deflection at Allowable Load mm
250	2488	0.11
500	1244	0.45
750	830	1.02
1000	622	1.81
1250	498	2.82
1500	414	4.06
1750	355	5.54
2000	311	7.23
2250	276	9.16
2500	249	11.3
2750	226	13.68
3000	207	16.28

B5500 Channel

▶ 20.4 kg per length

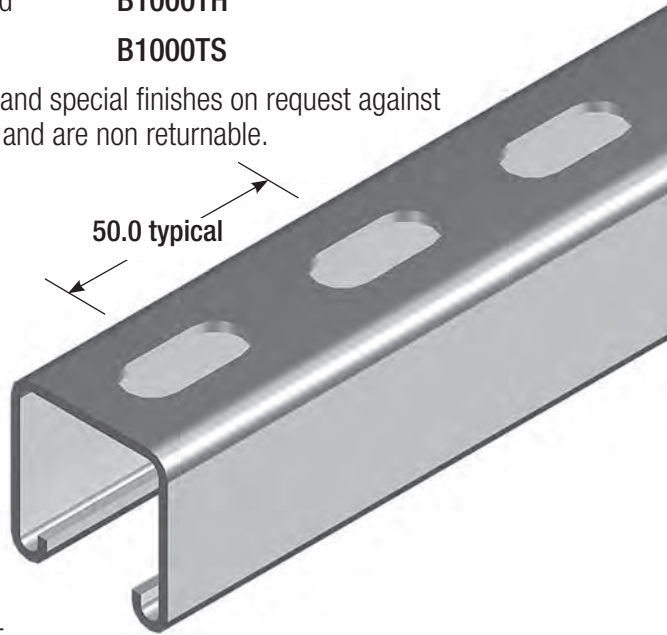
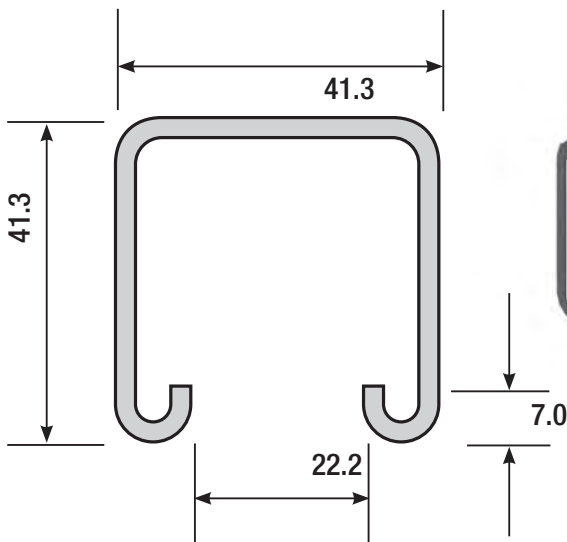
- CHANNELS 1
- NUTS & BOLTS 2
- CANTILEVER BRACKETS 3
- CHANNEL FITTINGS 4
- LADDERTRAYS 5
- CABLE MESH 6
- STEEL LADDERS 7
- ALUMINIUM LADDERS 8
- FIRE RATED 9
- COVERS 10
- HYGROUND 11

- Material Specification**
- Thickness 2.5 mm (mild steel)
 - Length 6 metres

- Ordering Details**
- Supplied in standard 6 metre lengths.

Available Finish	Ordering Code
Pre-Galvanised	B1000TG
Hot Dip Galvanised	B1000TH
Stainless Steel	B1000TS

- Note**
- Powder coating and special finishes on request against firm orders only and are non returnable.



Span (mm)	Maximum Allowable Load kg	Deflection at Allowable Load mm
250	1171	0.17
500	586	0.68
750	390	1.53
1000	293	2.72
1250	234	4.25
1500	195	6.13
1750	167	8.34
2000	146	10.9
2250	130	13.8
2500	117	17.03
2750	106	20.61
3000	98	24.56

B1000T Slotted Channel

▶ 13.9 kg per length

Material Specification

- Thickness 1.6 mm
- Length 6 metres

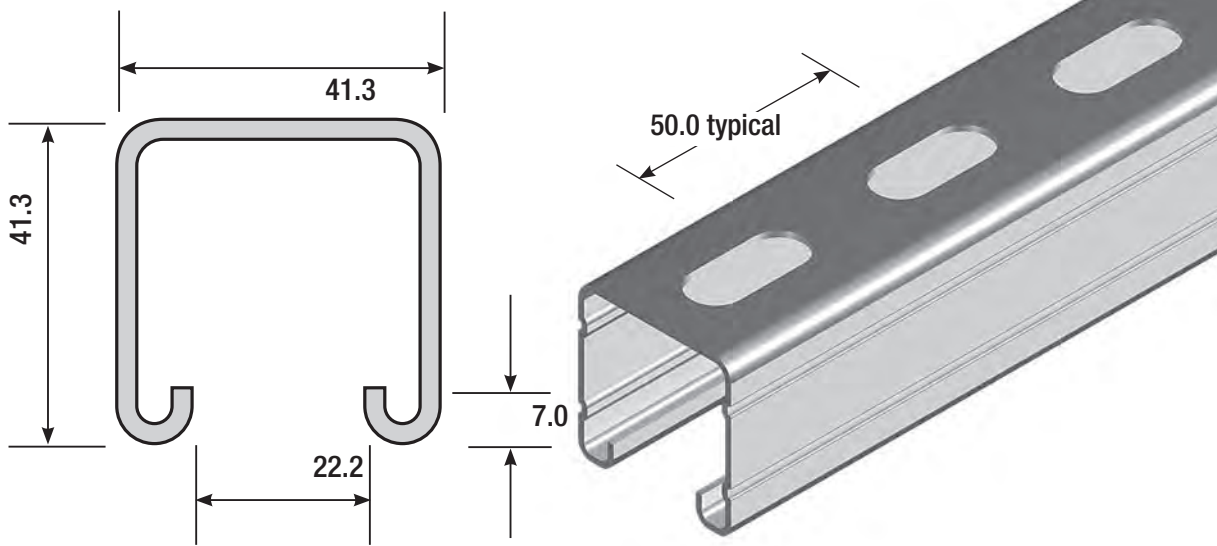
Ordering Details

- Supplied in standard 6 metre lengths.

Available Finish	Ordering Code
Pre-Galvanised	B2000TG
Hot Dip Galvanised	B2000TH

Note

- Powder coating and special finishes on request against firm orders only and are non returnable.



Span (mm)	Maximum Allowable Load kg	Deflection at Allowable Load mm
250	850	0.16
500	424	0.65
750	283	1.46
1000	212	2.59
1250	170	4.05
1500	141	5.84
1750	122	7.94
2000	106	10.37
2250	95	13.8
2500	85	16.2
2750	77	19.62
3000	71	23.24

B2000T Slotted Channel

▶ 10.5 kg per length

- CHANNELS 1
- NUTS & BOLTS 2
- CANTILEVER BRACKETS 3
- CHANNEL FITTINGS 4
- LADDERTRAYS 5
- CABLE MESH 6
- STEEL LADDERS 7
- ALUMINIUM LADDERS 8
- FIRE RATED 9
- COVERS 10
- HYGROUND 11

Material Specification

- Thickness 2.5 mm
- Length 6 metres

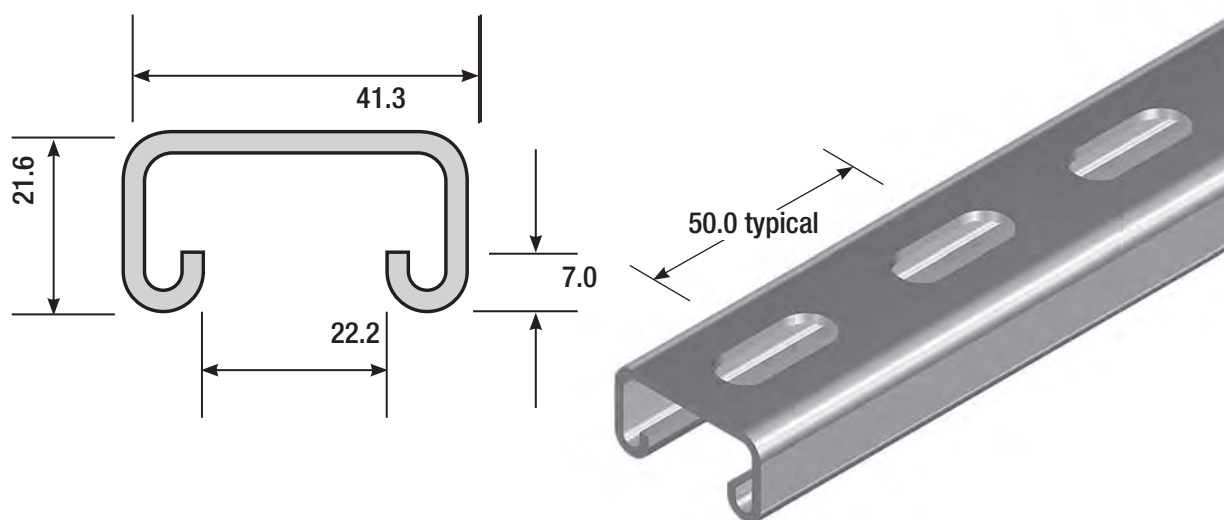
Ordering Details

- Supplied in standard 6 metre lengths.

Available Finish	Ordering Code
Pre-Galvanised	B3300TG
Hot Dip Galvanised	B3300TH

Note

- Powder coating and special finishes on request against firm orders only and are non returnable.



Span (mm)	Maximum Allowable Load kg	Deflection at Allowable Load mm
250	398	0.29
500	199	1.17
750	133	2.64
1000	99	4.69
1250	81	7.34
1500	66	10.57
1750	57	14.39
2000	50	18.79
2250	45	23.78
2500	40	29.35
2750	36	35.52
3000	34	43.37

B3300T Slotted Channel

▶ 9.3 kg per length

Material Specification

- Thickness 1.6 mm
- Length 6 metres

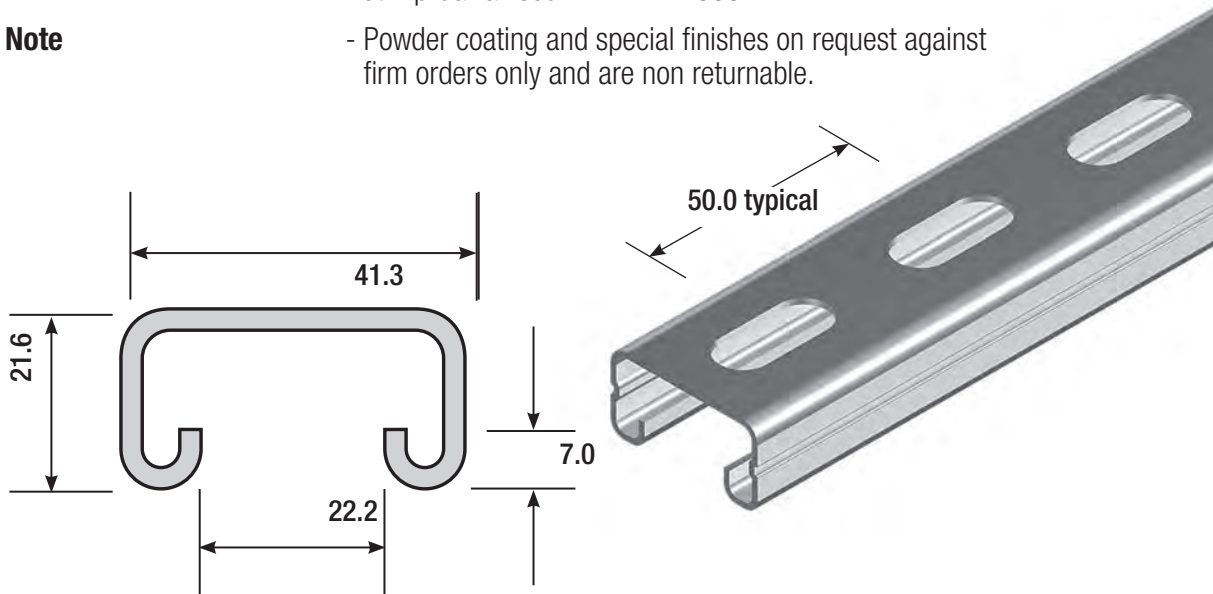
Ordering Details

- Supplied in standard 6 metre lengths.

Available Finish	Ordering Code
Pre-Galvanised	B400TG
Hot Dip Galvanised	B400TH

Note

- Powder coating and special finishes on request against firm orders only and are non returnable.



Span (mm)	Maximum Allowable Load kg	Deflection at Allowable Load mm
250	315	0.31
500	158	1.22
750	105	2.76
1000	80	4.89
1250	63	7.65
1500	53	11.02
1750	45	15
2000	40	19.59
2250	36	24.82
2500	32	30.61
2750	29	37.04
3000	27	44.15

B4000T Slotted Channel

▶ 7.3 kg per length

- CHANNELS 1
- NUTS & BOLTS 2
- CANTILEVER BRACKETS 3
- CHANNEL FITTINGS 4
- LADDERTRAYS 5
- CABLE MESH 6
- STEEL LADDERS 7
- ALUMINIUM LADDERS 8
- FIRE RATED 9
- COVERS 10
- HYGROUND 11

Material Specification

- Thickness 2.5 mm
- Length 6 metres

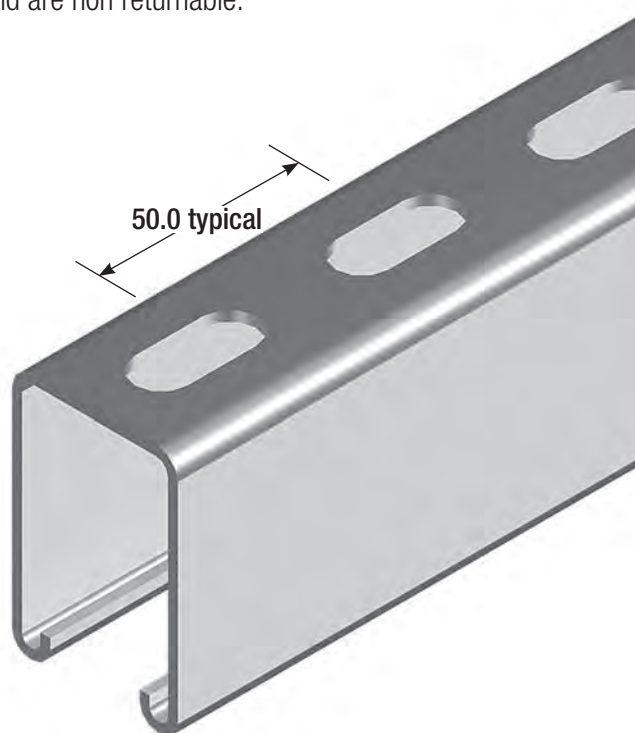
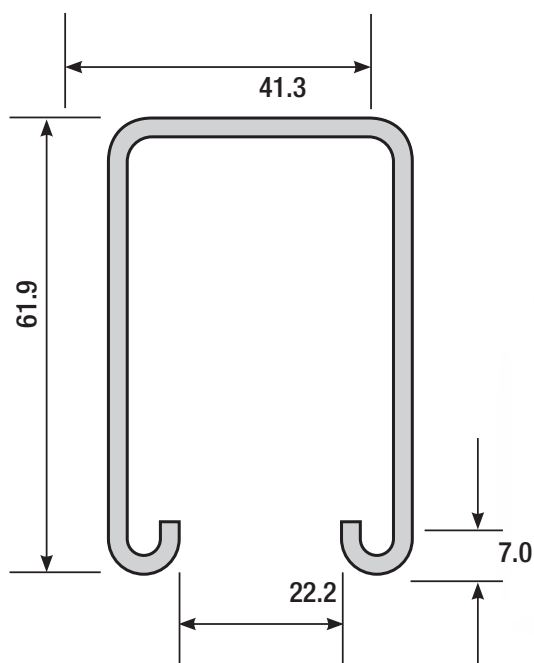
Ordering Details

- Supplied in standard 6 metre lengths.

Available Finish	Ordering Code
Pre-Galvanised	B5500TG
Hot Dip Galvanised	B5500TH

Note

- Powder coating and special finishes on request against firm orders only and are non returnable.



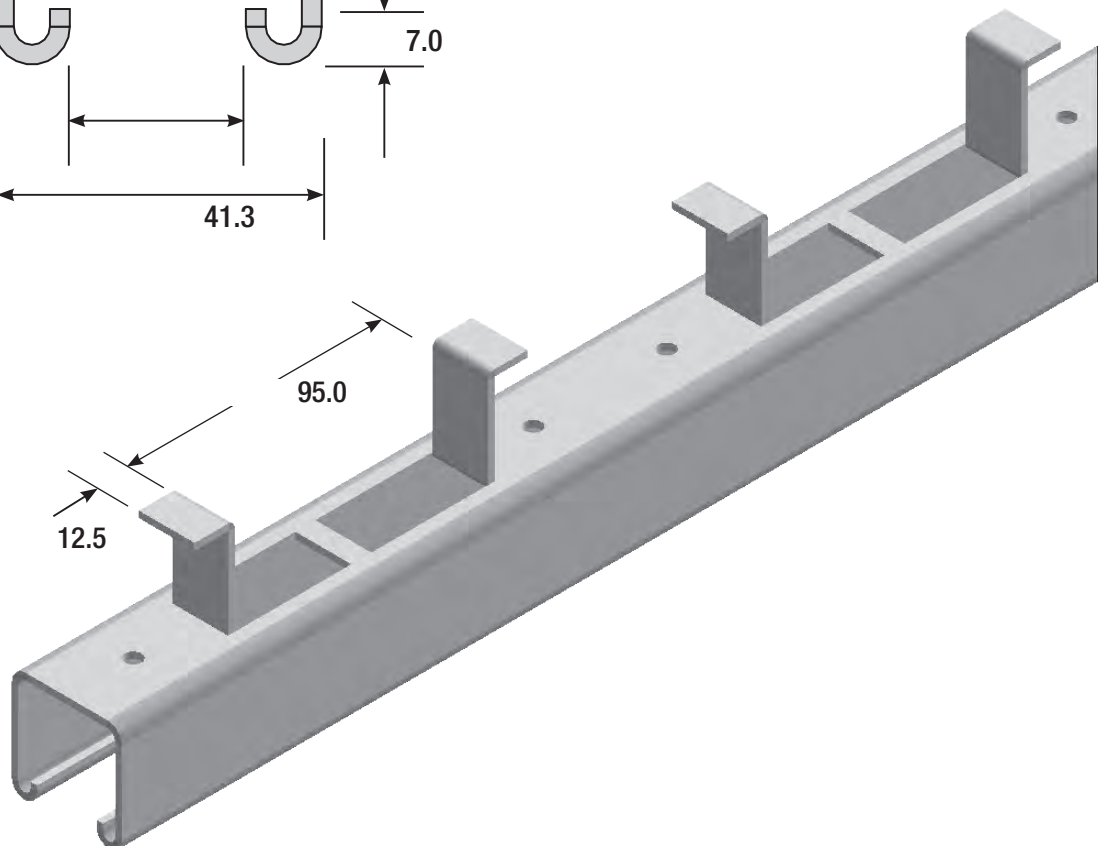
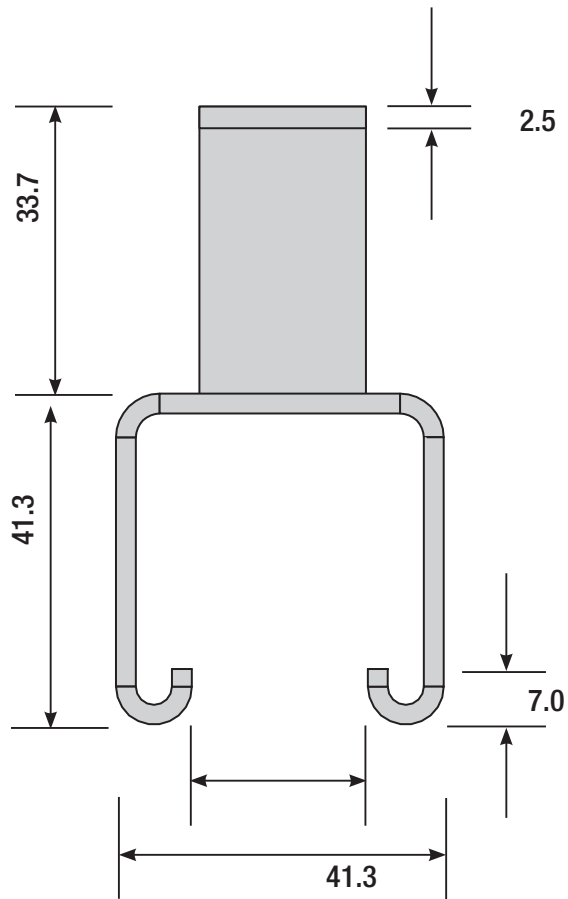
Span (mm)	Maximum Allowable Load kg	Deflection at Allowable Load mm
250	2240	0.11
500	1120	0.45
750	747	1.02
1000	560	1.81
1250	449	2.82
1500	373	4.06
1750	320	5.54
2000	280	7.23
2250	249	9.16
2500	225	11.3
2750	204	13.68
3000	187	16.28

B5500T Slotted Channel

▶ 18.7 kg per length

- Material Specification**
- Thickness 2.5 mm (mild steel)
 - Length 6 metres
- Ordering Details**
- Supplied in standard 6 metre lengths.

Available Finish Hot Dip Galvanised
Ordering Code B1000CIH



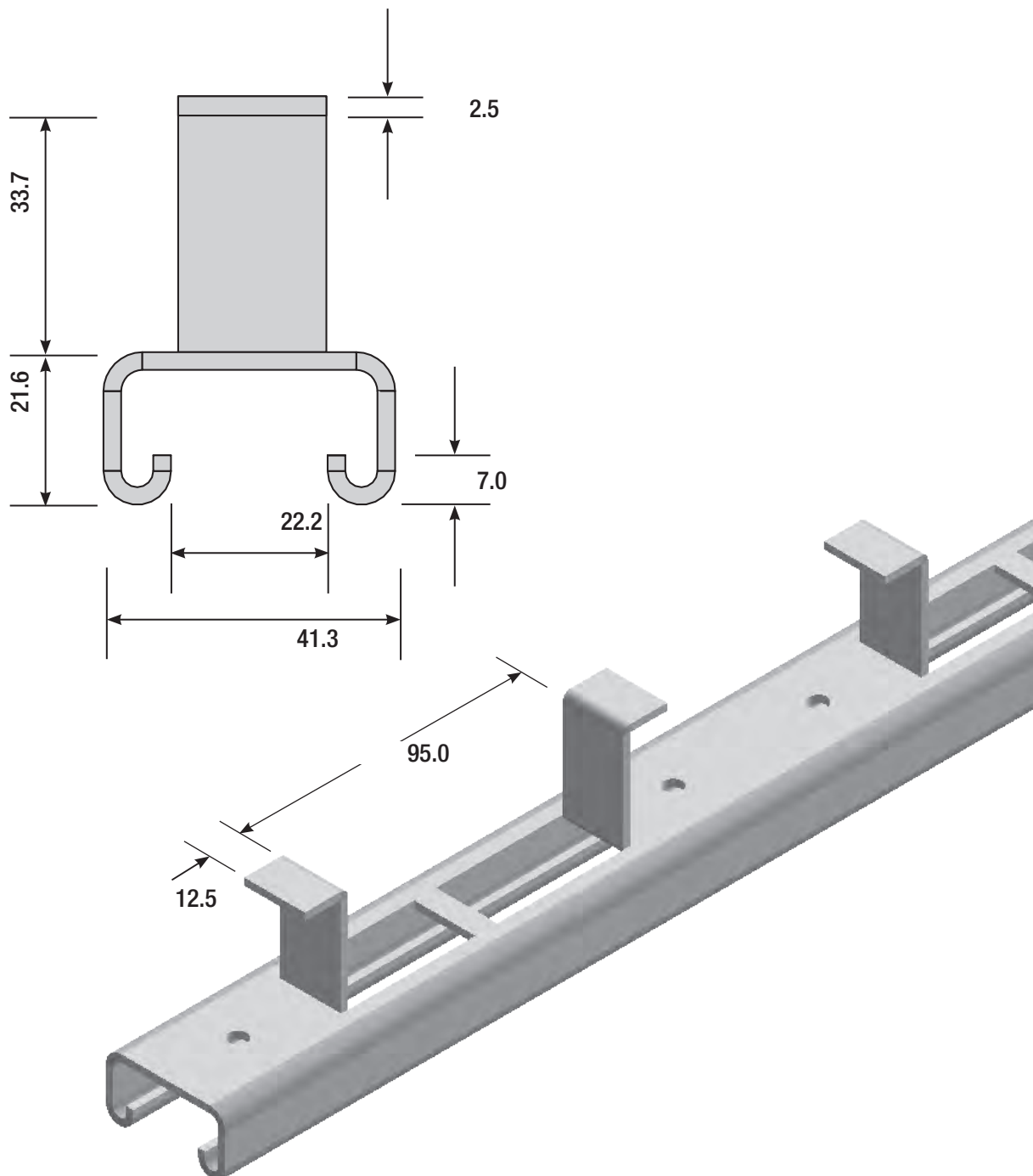
B1000CIH

▶ 17 kg per length

CHANNELS	1
NUTS & BOLTS	2
CANTILEVER BRACKETS	3
CHANNEL FITTINGS	4
LADDERTRAYS	5
CABLE MESH	6
STEEL LADDERS	7
ALUMINIUM LADDERS	8
FIRE RATED	9
COVERS	10
HYGROUND	11

- Material Specification**
- Thickness 2.5 mm (mild steel)
 - Length 6 metres
- Ordering Details**
- Supplied in standard 6 metre lengths.

Available Finish	Ordering Code
Hot Dip Galvanised	B3300CIH

**B3300CIH**

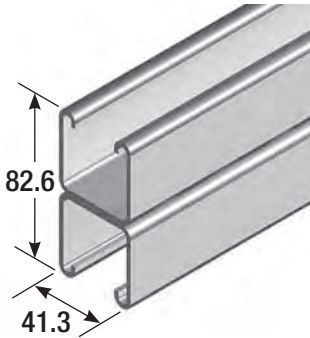
▶ 13 kg per length

- Material Specification**
- Thickness see below
 - Length 6 metres
- Ordering Details**
- Supplied in standard 6 metre lengths.

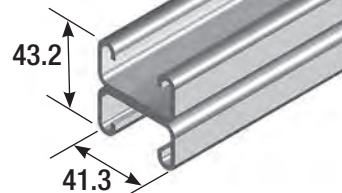
Available Finish	Code
Pre-Galvanised	G
Hot Dip Galvanised	H

- Note**
- Powder coating and special finishes on request against firm orders only and are non returnable.
 - All products are manufactured against firm orders only. They are non returnable and the order cannot be cancelled once manufacturing has commenced.

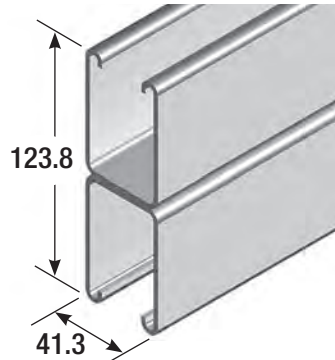
2.5 mm material



B1001 ▶ Wt 31.4 kg/length

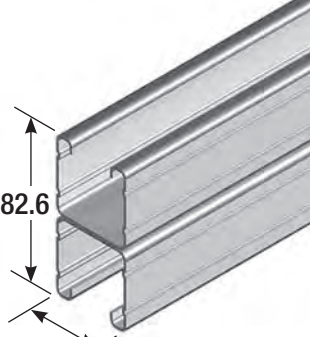


B3301 ▶ Wt 21.8 kg/length

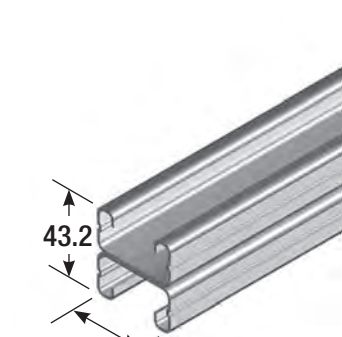


B5501 ▶ Wt 40.8 kg/length

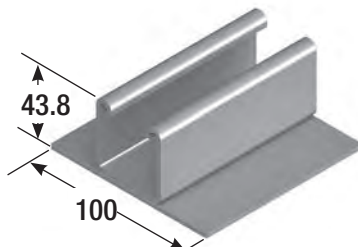
1.6 mm material



B2001 ▶ Wt 21.6 kg/length



B4001 ▶ Wt 15.2 kg/length



Finish: Hot Dip Galvanised
Made to order
B1003H ▶ Wt 27.3 kg/length

CHANNELS 1

NUTS & BOLTS 2

CANTILEVER BRACKETS 3

CHANNEL FITTINGS 4

LADDERTRAYS 5

CABLE MESH 6

STEEL LADDERS 7

ALUMINIUM LADDERS 8

FIRE RATED 9

COVERS 10

HYGROUND 11

Material Specification - Thickness see below
 - Length 6 metres

Ordering Details - Supplied in standard 6 metre lengths.

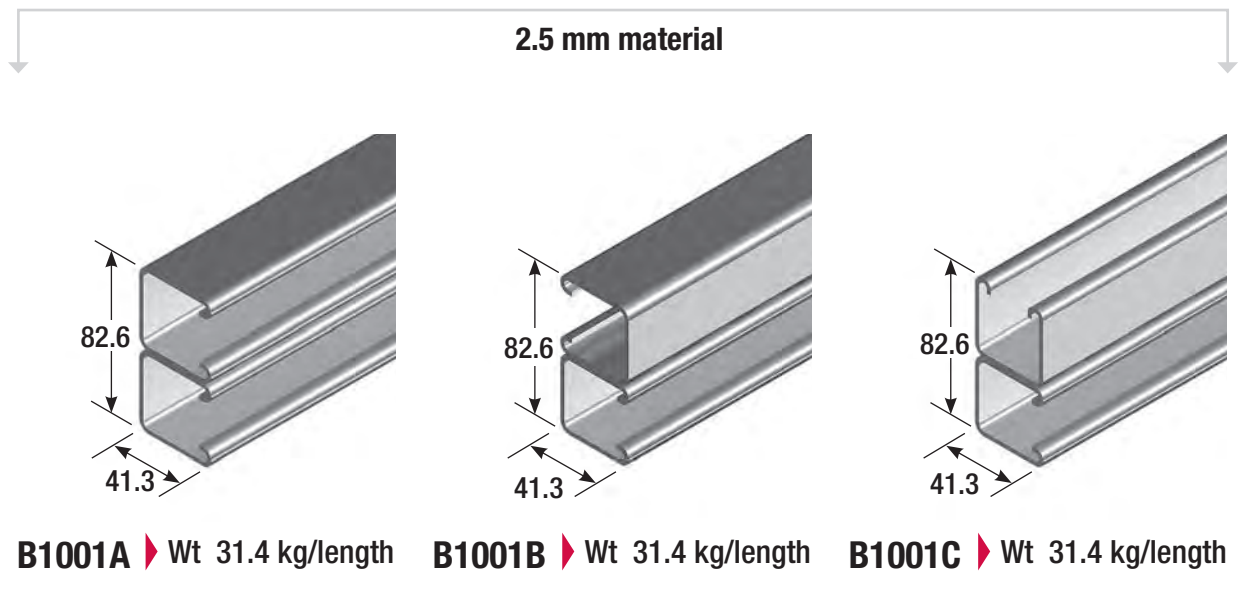
Available Finish Code

Pre-Galvanised G

Hot Dip Galvanised H

Note

- Powder coating and special finishes on request against firm orders only and are non returnable.
- All products are manufactured against firm orders only. They are non returnable and the order cannot be cancelled once manufacturing has commenced.



Material Specification - Length 3 metres
Ordering Details - Supplied in standard 3 metre lengths.

Available Finish	Code
Pre-Galvanised	G
Hot Dip Galvanised	H

Note - Powder coating and special finishes on request against firm orders only and are non returnable.

Ordering Code	Dimensions mm	Slot Dimensions mm
SA3030H	30 x 30 x 3	11 x 18
SA4040H	40 x 40 x 3	11 x 30
SA5050H	50 x 50 x 3	14 x 30



SA Slotted Angle

- CHANNELS 1
- NUTS & BOLTS 2
- CANTILEVER BRACKETS 3
- CHANNEL FITTINGS 4
- LADDERTRAYS 5
- CABLE MESH 6
- STEEL LADDERS 7
- ALUMINIUM LADDERS 8
- FIRE RATED 9
- COVERS 10
- HYGROUND 11



Thread Diameter	Thread Length mm	Zinc Plated	Hot Dip Galvanised	Stainless Steel
M6	20	HS620Z	HS620H	HS620S
	25	HS625Z	HS625H	HS625S
	30	HS630Z	HS630H	HS630S
	40	HS640Z	HS640H	HS640S
M8	20	HS820Z	HS820H	HS820S
	25	HS825Z	HS825H	HS825S
	30	HS830Z	HS830H	HS830S
	40	HS840Z	HS840H	HS840S
M10	20	HS1020Z	HS1020H	HS1020S
	25	HS1025Z	HS1025H	HS1025S
	30	HS1030Z	HS1030H	HS1030S
	40	HS1040Z	HS1040H	HS1040S
M12	25	HS1225Z	HS1225H	HS1225S
	30	HS1230Z	HS1230H	HS1230S
	40	HS1240Z	HS1240H	HS1240S
	50	HS1250Z	HS1250H	HS1250S

Hex Screw



Thread Diameter	Zinc Plated	Hot Dip Galvanised	Stainless Steel
M6	HN6Z	HN6H	HN6S
M8	HN8Z	HN8H	HN8S
M10	HN10Z	HN10H	HN10S
M12	HN12Z	HN12H	HN12S
M16	HN16Z	HN16H	HN16S

Hex Nut

- CHANNELS 1
- NUTS & BOLTS 2**
- CANTILEVER BRACKETS 3
- CHANNEL FITTINGS 4
- LADDERTRAYS 5
- CABLE MESH 6
- STEEL LADDERS 7
- ALUMINIUM LADDERS 8
- FIRE RATED 9
- COVERS 10
- HYGROUND 11



Thread Diameter	Thread Length mm	Zinc Plated	Hot Dip Galvanised	Stainless Steel
M6	10	PS610Z	-	-
	16	PS616Z	-	-
	20	PS620Z	PS620H	PS620S
	25	PS625Z	PS625H	PS625S
	30	PS630Z	PS630H	PS630S

Pan Screw



Thread Diameter	Zinc Plated	Hot Dip Galvanised	Stainless Steel
M6	FW6Z	FW6H	FW6S
M8	FW8Z	FW8H	FW8S
M10	FW10Z	FW10H	FW10S
M12	FW12Z	FW12H	FW12S
M16	FW16Z	FW16H	FW16S

Flat Washer



Thread Diameter	Zinc Plated	Hot Dip Galvanised	Stainless Steel
M6	SW6Z	SW6H	SW6S
M8	SW8Z	SW8H	SW8S
M10	SW10Z	SW10H	SW10S
M12	SW12Z	SW12H	SW12S
M16	SW16Z	SW16H	SW16S

Spring Washer

CHANNELS 1

NUTS & BOLTS 2

CANTILEVER BRACKETS 3

CHANNEL FITTINGS 4

LADDERTRAYS 5

CABLE MESH 6

STEEL LADDERS 7

ALUMINIUM LADDERS 8

FIRE RATED 9

COVERS 10

HYGROUND 11



Thread Diameter	Zinc Plated	Hot Dip Galvanised
M6	MW6Z	MW6H
M8	MW8Z	MW8H
M10	MW10Z	MW10H
M12	MW12Z	MW12H

Mudguard Washer

Standard length: 3.0 metres.



Thread Diameter	Zinc Plated	Hot Dip Galvanised	Stainless Steel
M6	TR6Z	-	-
M8	TR8Z	-	-
M10	TR10Z	TR10H	TR10S
M12	TR12Z	TR12H	TR12S
M16	TR16Z	TR16H	TR16S

Threaded Rod



Thread Diameter	Zinc Plated	Hot Dip Galvanised	Stainless Steel
M6	RC6Z	-	-
M8	RC8Z	-	-
M10	RC10Z	RC10H	RC10S
M12	RC12Z	RC12H	RC12S
M16	RC16Z	RC16H	RC16S

Rod Coupler



Thread Diameter	Zinc Plated	Hot Dip Galvanised	Stainless Steel
M6	B3006Z	B3006H	B3006S
M8	B3007Z	B3007H	B3007S
M10	B3008Z	B3008H	B3008S
M12	B3010Z	B3010H	B3010S

Fits all channel sections.

Channel Nut without Spring



Thread Diameter	Zinc Plated	Hot Dip Galvanised	Stainless Steel
M6	B1006Z	B1006H	B1006S
M8	B1007Z	B1007H	B1007S
M10	B1008Z	B1008H	B1008S
M12	B1010Z	B1010H	B1010S

To fit all 41 mm high channels.

Channel Nut with Long Spring



Thread Diameter	Zinc Plated	Hot Dip Galvanised	Stainless Steel
M6	B4006Z	B4006H	B4006S
M8	B4007Z	B4007H	B4007S
M10	B4008Z	B4008H	B4008S
M12	B4010Z	B4010H	B4010S

To fit all 21 mm high channels.

Channel Nut with Short Spring

Channel Type	Nut Type	Pullout kN	Slip kN	Torque Nm
B1000	B1006	7.3	2.7	3.5
	B1007	10.1	5.2	8.5
	B1008	16.5	8.7	17
	B1010	16.5	12.9	30
B2000	B1006	4.8	1.1	3.5
	B1007	5.0	4.0	8.5
	B1008	10.8	7.1	17
	B1010	10.8	6.7	30
B3300	B4006	7.3	2.7	3.5
	B4007	10.1	5.2	8.5
	B4008	16.5	8.7	17
	B4010	16.5	12.9	30
B4000	B4006	4.8	1.1	3.5
	B4007	5.0	4.0	8.5
	B4008	10.8	7.1	17
	B4010	10.8	6.7	30

Note Slip and Pullout ratings are based on using grade 4.6 commercial screws.

Slip and Pullout Information



Ordering Code **B2486Z**

Note Suits M10 and M12 threaded rod, for Use With 40MM X40MM Series Channels.

Seismic Rod Stiffener ZP



Fits all channel sections.

Channel Nut without Spring

Thread Diameter	Zinc Plated	Hot Dip Galvanised	Stainless Steel
M6	B3016Z	B3016H	B3016S



Sleeve Anchor

Thread Diameter	Thread Length mm	Zinc Plated
M6	35	DB635Z
M8	40	DB840Z
M10	40	DB1040Z
M10	60	DB1060Z
M12	60	DB1260Z



Drop In Anchor

Thread Diameter	Anchor	Set In Tool
M6	35	ST6Z
M8	40	ST8Z
M10	40	ST10Z
M12	60	ST12Z



Ordering Code **WN10Z**

Note Suits M10 Allthread.

Wedge Nut



CHANNELS 1

NUTS & BOLTS 2

CANTILEVER BRACKETS 3

CHANNEL FITTINGS 4

LADDERTRAYS 5

CABLE MESH 6

STEEL LADDERS 7

ALUMINIUM LADDERS 8

FIRE RATED 9

COVERS 10

HYGROUND 11

**Vertical Hanger M10
for metal**

Ordering Code VH10Z
(suitable for metal)

Note Also available in 6mm
and 8mm

**Vertical Hanger M10
for concrete**

Ordering Code VH10CZ
(suitable for concrete)

Note Also available in 6mm

**Vertical Hanger M10
for wood**

Ordering Code VH10WZ
(suitable for wood)

Note Also available in 6mm and
8mm

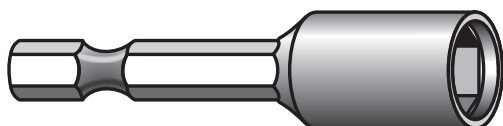
Rod Hanger-Vertical

Side Hanger M10

Ordering Code SH10Z

Note Also available in 6mm, 8mm and 12 mm

Rod Hanger-Side



Ordering Code VH10SD (suitable for steel - ZP); colour red
VH10CD (suitable for concrete - ZP); colour blue

Note Also available in 6mm, 8mm and 12 mm

Vertigo Socket Driver

Material Specification - Thickness 2.5mm

Available Finish - Hot Dip Galvanised

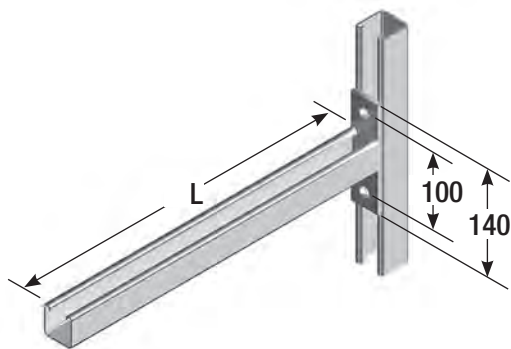
- Stainless Steel

Note

- Stainless Steel products are manufactured against firm orders only. They are non returnable and the order cannot be cancelled once manufacturing has commenced.

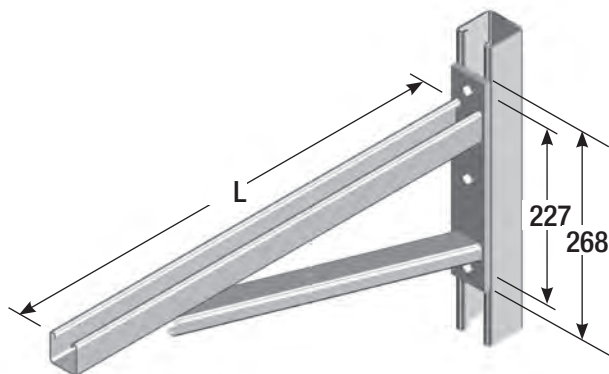
- Load Capacities are based on the application of a uniformly distributed load.

- Powder coating and special finishes on request against firm orders only and are non returnable.



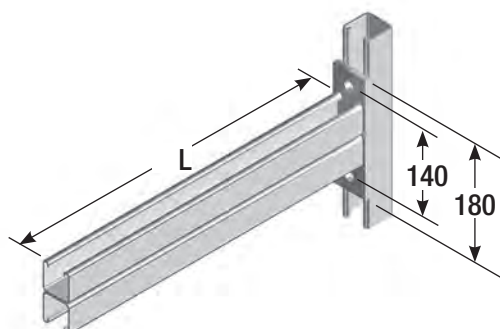
Cantilever Bracket CL

Ordering Code	Length L	Load Capacity kg
CL150	150	566
CL300	300	283
CL450	450	189
CL600	600	141
CL750	750	113
CL900H	900	94



Cantilever Bracket CLB

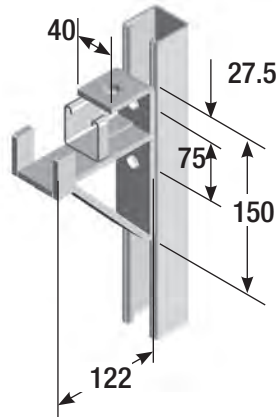
Ordering Code	Length L	Load Capacity kg
CLB320	320	435
CLB470	470	364
CLB635	635	316
CLB780	780	288



Cantilever Bracket CLD

Ordering Code	Length L	Load Capacity kg
CLD300	300	424
CLD450	450	283
CLD600	600	212
CLD750	750	170

- CHANNELS 1
- NUTS & BOLTS 2
- CANTILEVER BRACKETS 3**
- CHANNEL FITTINGS 4
- LADDERTRAYS 5
- CABLE MESH 6
- STEEL LADDERS 7
- ALUMINIUM LADDERS 8
- FIRE RATED 9
- COVERS 10
- HYGROUND 11



B10754H

Available Finish - Hot Dip Galvanised

Channel - B1000

Hole Diameters - 14 mm

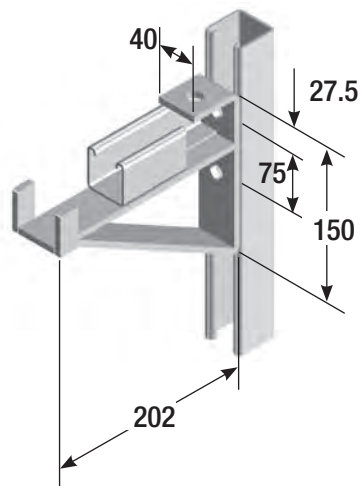
Note Powder coating and special finishes on request against firm orders only and are non returnable.

Two fasteners are required for assembly.

Order separately.

1 x HS1225, 1 x B1010H

Not available in stainless steel



B10758H

Available Finish - Hot Dip Galvanised

Channel - B1000

Hole Diameters - 14 mm

Note - Powder coating and special finishes on request against firm orders only and are non returnable.

Two fasteners are required for assembly.

Order separately.

1 x HS1225, 1 x B1010H

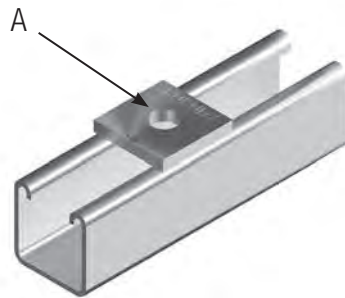
Not available in stainless steel

Surface Finish Available Finish Code

Hot Dip Galvanised H
 Stainless Steel S

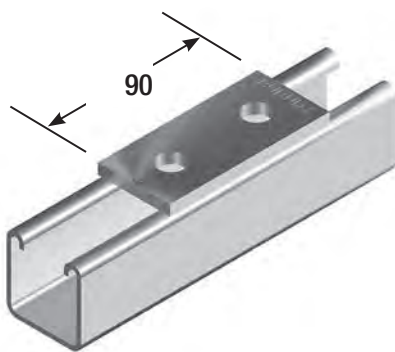
Note

- Stainless steel products are manufactured against firm orders only and are non returnable.
- Powder coating and special finishes on request against firm orders only and are non returnable.



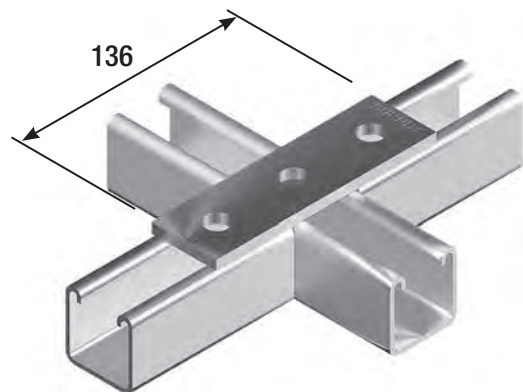
Ordering Code	A	Wt/kg
B1062	M8	0.071
B1063	M10	0.065
B1064	M12	0.064
B1964	M16	0.064

B1062 to B1964



B1065

▶ Wt 0.16 kg



B1066

▶ Wt 0.24 kg

CHANNELS

1

NUTS & BOLTS

2

CANTILEVER BRACKETS

3

CHANNEL FITTINGS

4

LADDERTRAYS

5

CABLE MESH

6

STEEL LADDERS

7

ALUMINIUM LADDERS

8

FIRE RATED

9

COVERS

10

HYGROUND

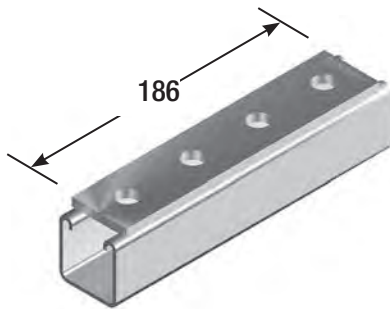
11

Surface Finish Available Finish Code

Hot Dip Galvanised	H
Stainless Steel	S

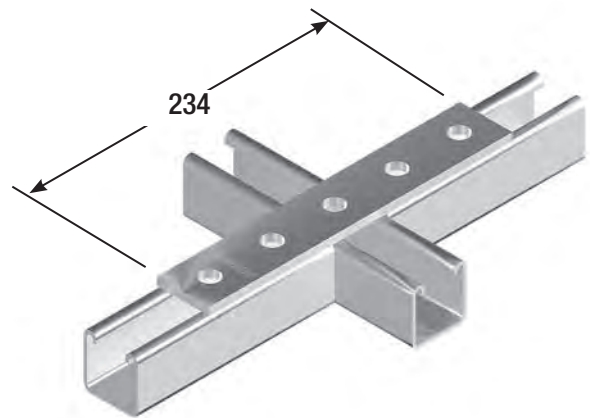
Note

- Stainless steel products are manufactured against firm orders only and are non returnable.
- Powder coating and special finishes on request against firm orders only and are non returnable.



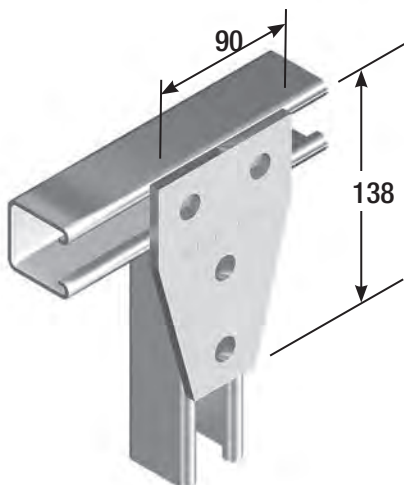
B1067

▶ Wt 0.32 kg



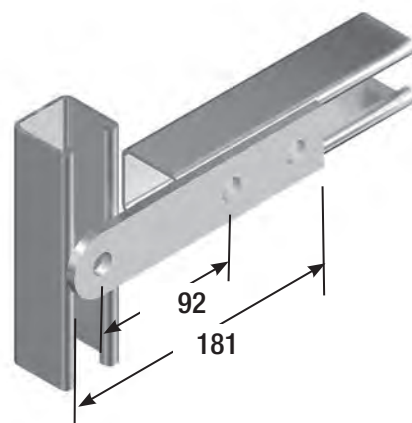
B1941

▶ Wt 0.43 kg



B1358

▶ Wt 0.48 kg



B2324

▶ Wt 0.34 kg

Surface Finish

Available Finish

Code

Hot Dip Galvanised

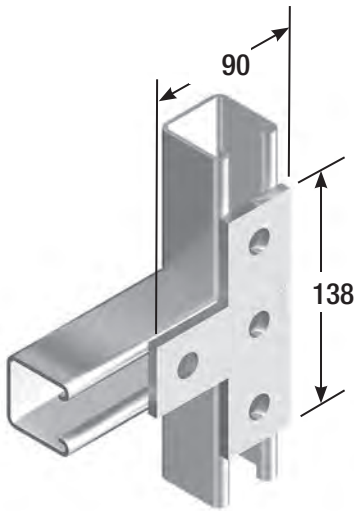
H

Stainless Steel

S

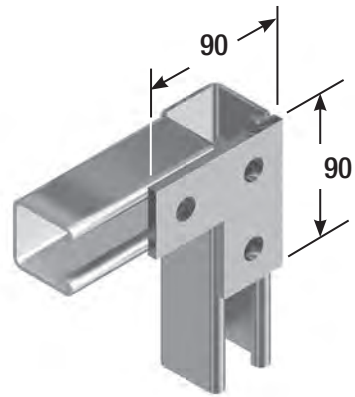
Note

- Stainless steel products are manufactured against firm orders only and are non returnable.
- Powder coating and special finishes on request against firm orders only and are non returnable.



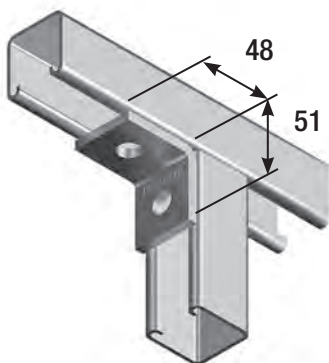
B1031

▶ Wt 0.34 kg



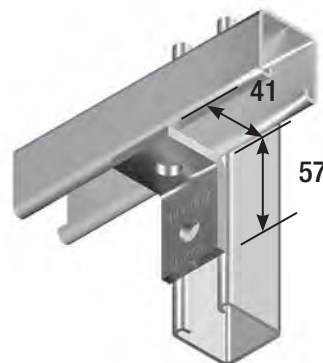
B1036

▶ Wt 0.25 kg



B1026

▶ Wt 0.17 kg



B1068

▶ Wt 0.17 kg

CHANNELS

1

NUTS & BOLTS

2

CANTILEVER BRACKETS

3

CHANNEL FITTINGS

4

LADDERTRAYS

5

CABLE MESH

6

STEEL LADDERS

7

ALUMINIUM LADDERS

8

FIRE RATED

9

COVERS

10

HYGROUND

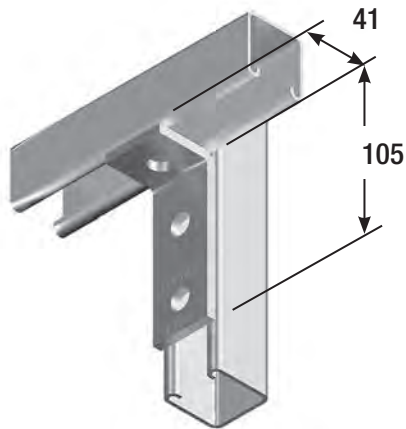
11

Surface Finish Available Finish Code

Hot Dip Galvanised H
 Stainless Steel S

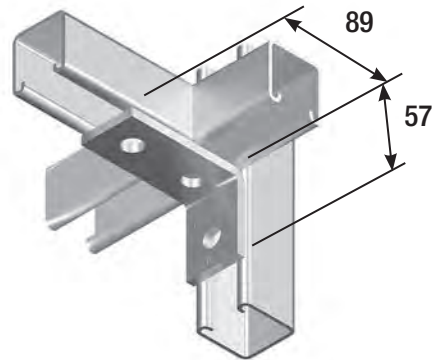
Note

- Stainless steel products are manufactured against firm orders only and are non returnable.
- Powder coating and special finishes on request against firm orders only and are non returnable.



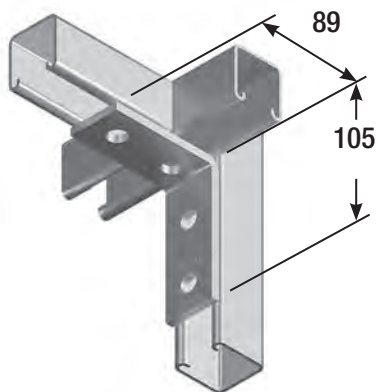
B1326

▶ Wt 0.24 kg



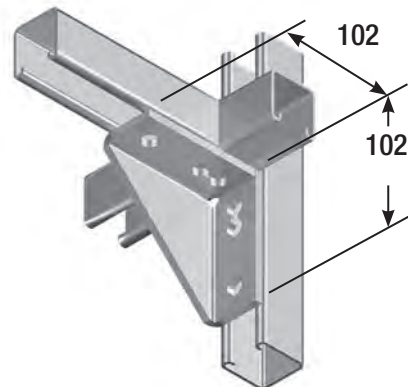
B1458

▶ Wt 0.24 kg



B1325

▶ Wt 0.33 kg



B2484

▶ Wt 0.61 kg

Surface Finish

Available Finish

Code

Hot Dip Galvanised

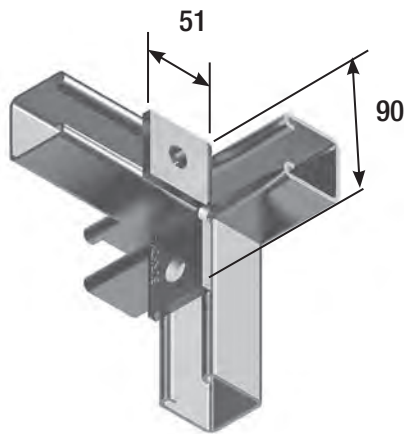
H

Stainless Steel

S

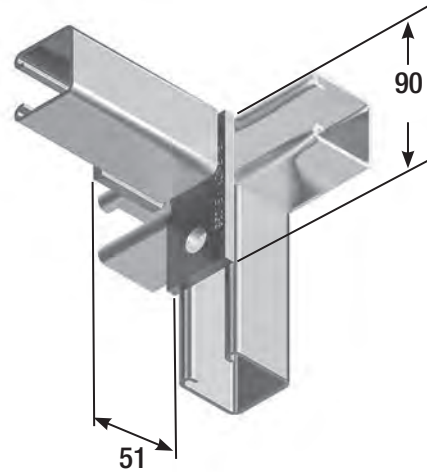
Note

- Stainless steel products are manufactured against firm orders only and are non returnable.
- Powder coating and special finishes on request against firm orders only and are non returnable.



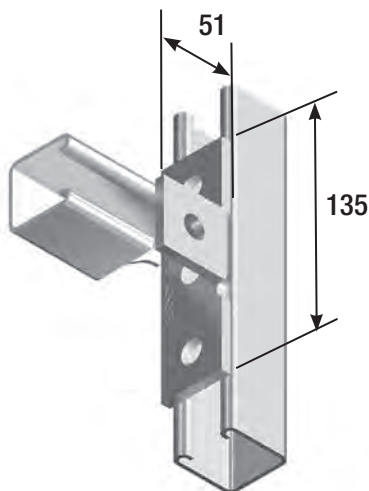
B1037

▶ Wt 0.25 kg



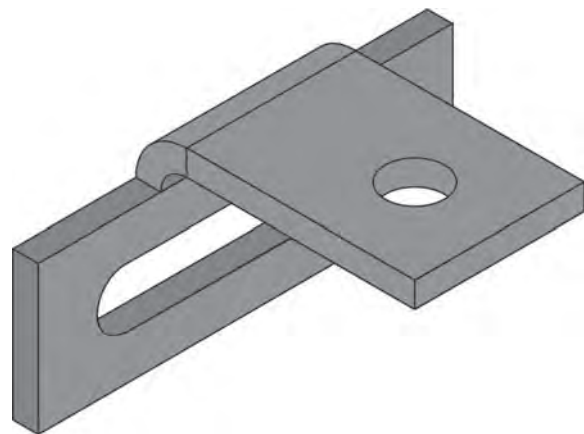
B1038

▶ Wt 0.25 kg



B1033

▶ Wt 0.32 kg



B1033-1

CHANNELS

1

NUTS & BOLTS

2

CANTILEVER BRACKETS

3

CHANNEL FITTINGS

4

LADDERTRAYS

5

CABLE MESH

6

STEEL LADDERS

7

ALUMINIUM LADDERS

8

FIRE RATED

9

COVERS

10

HYGROUND

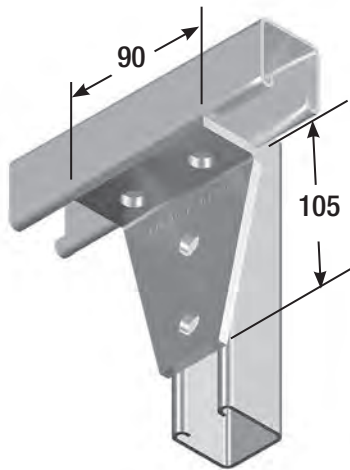
11

Surface Finish Available Finish Code

Hot Dip Galvanised H
 Stainless Steel S

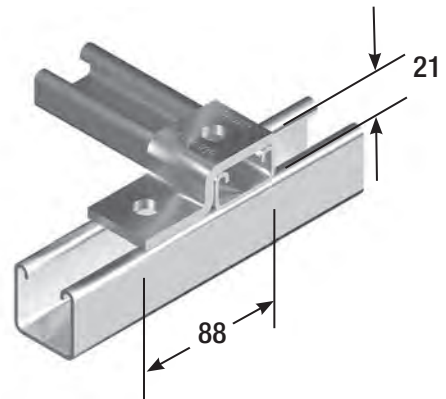
Note

- Stainless steel products are manufactured against firm orders only and are non returnable.
- Powder coating and special finishes on request against firm orders only and are non returnable.



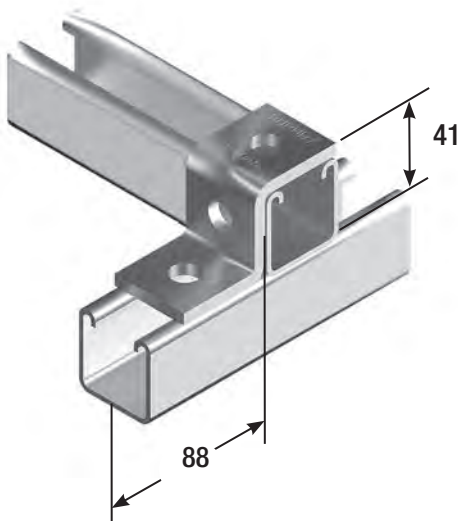
B1359

▶ Wt 0.48 kg



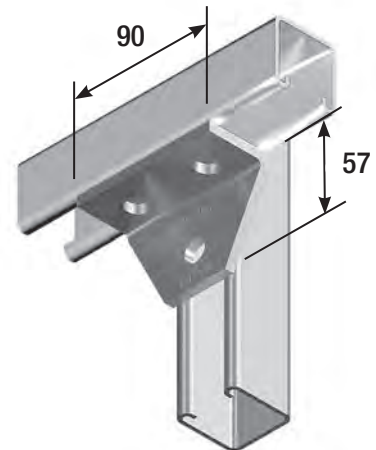
B4045

▶ Wt 0.25 kg



B1045

▶ Wt 0.24 kg



B1357

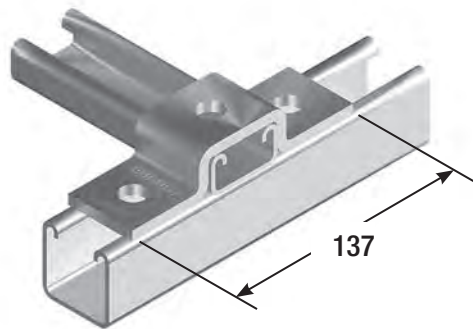
▶ Wt 0.33 kg

Surface Finish Available Finish Code

Hot Dip Galvanised	H
Stainless Steel	S

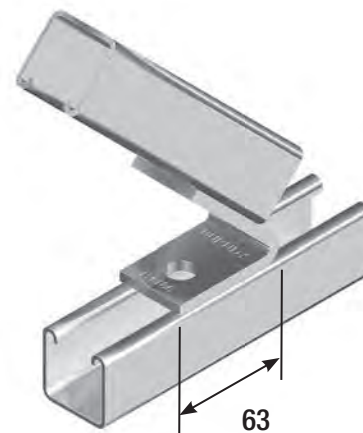
Note

- Stainless steel products are manufactured against firm orders only and are non returnable.
- Powder coating and special finishes on request against firm orders only and are non returnable.



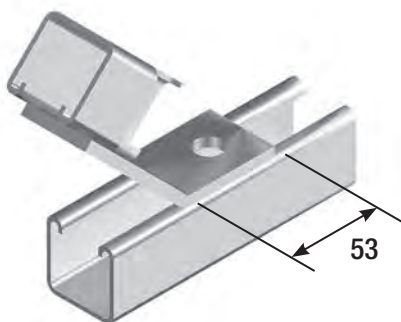
B4047

▶ Wt 0.30 kg



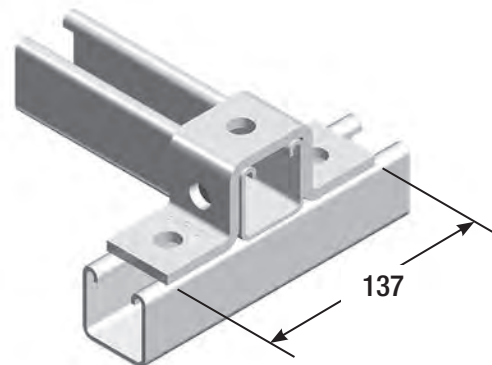
B1186

▶ Wt 0.26 kg



B1546

▶ Wt 0.26 kg



B1047

▶ Wt 0.33 kg

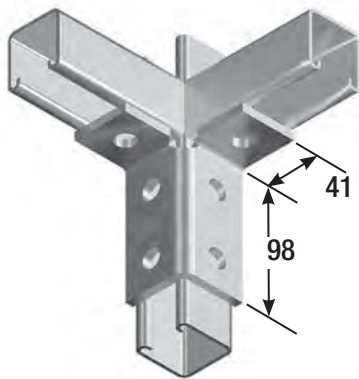
CHANNELS	1
NUTS & BOLTS	2
CANTILEVER BRACKETS	3
CHANNEL FITTINGS	4
LADDERTRAYS	5
CABLE MESH	6
STEEL LADDERS	7
ALUMINIUM LADDERS	8
FIRE RATED	9
COVERS	10
HYGROUND	11

Surface Finish Available Finish Code

Hot Dip Galvanised	H
Stainless Steel	S

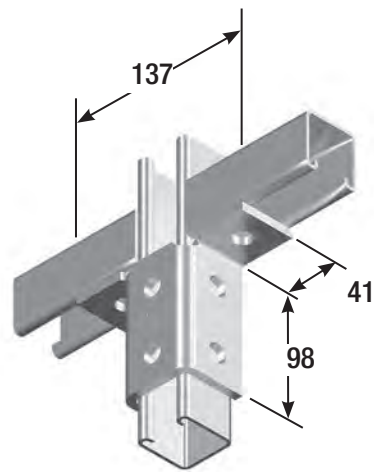
Note

- Stainless steel products are manufactured against firm orders only and are non returnable.
- Powder coating and special finishes on request against firm orders only and are non returnable.



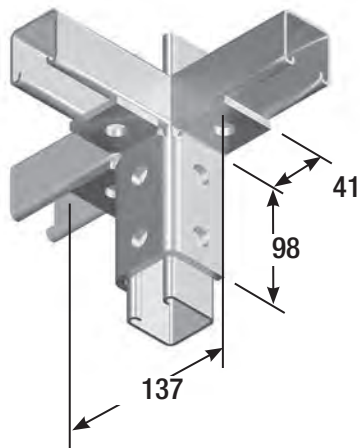
B2224

▶ Wt 0.55 kg



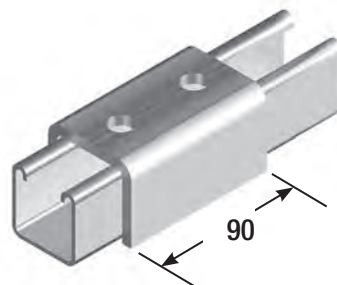
B2346

▶ Wt 0.67 kg



B2228

▶ Wt 0.85 kg



B1376

▶ Wt 0.56 kg

Surface Finish

Available Finish

Code

Hot Dip Galvanised

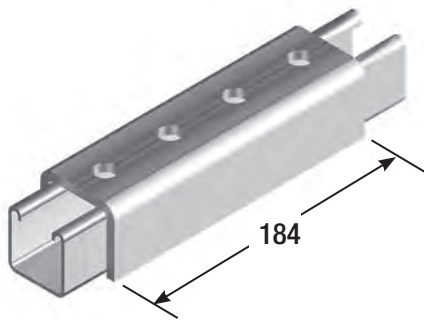
H

Stainless Steel

S

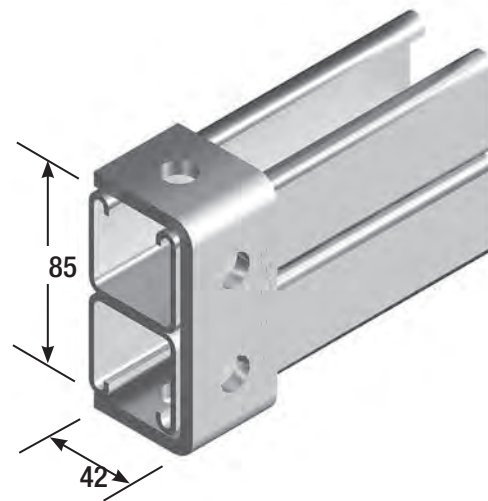
Note

- Stainless steel products are manufactured against firm orders only and are non returnable.
- Powder coating and special finishes on request against firm orders only and are non returnable.



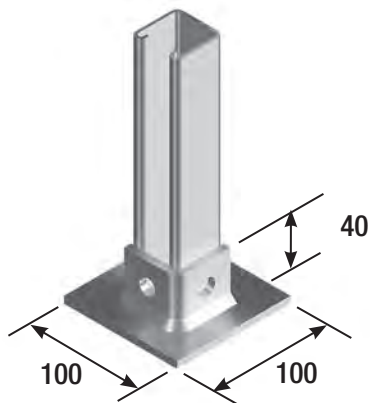
B1377

▶ Wt 1.15 kg



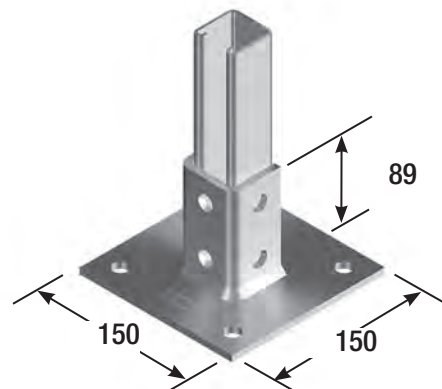
B1044

▶ Wt 0.30 kg



B2072S1

▶ Wt 0.65 kg



B2072A

▶ Wt 1.64 kg

CHANNELS

1

NUTS & BOLTS

2

CANTILEVER BRACKETS

3

CHANNEL FITTINGS

4

LADDERTRAYS

5

CABLE MESH

6

STEEL LADDERS

7

ALUMINIUM LADDERS

8

FIRE RATED

9

COVERS

10

HYGROUND

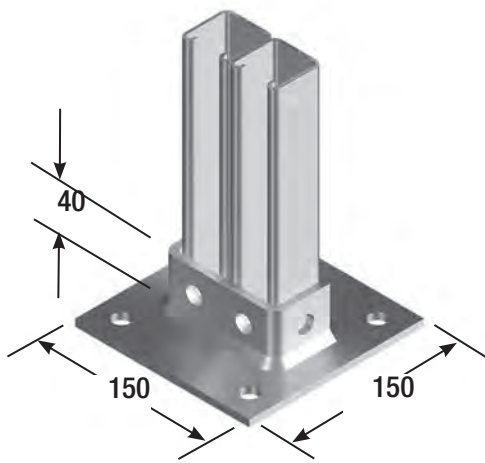
11

Surface Finish Available Finish Code

Hot Dip Galvanised	H
Stainless Steel	S

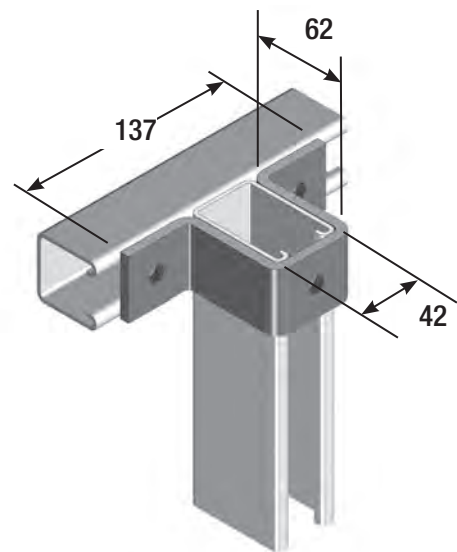
Note

- Stainless steel products are manufactured against firm orders only and are non returnable.
- Powder coating and special finishes on request against firm orders only and are non returnable.



B2073

▶ Wt 1.40 kg

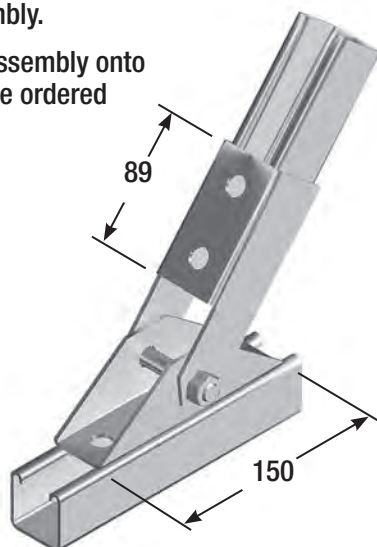


B5547H

Packaged with HS1260 and HN12 for assembly.

Fasteners for assembly onto channel must be ordered separately.

- 4 x B1010
- 4 x HS1225



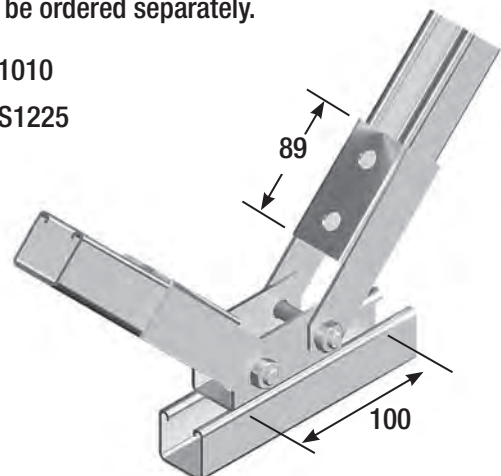
B2815

▶ Wt 1.39 kg

Packaged with HS1260 and HN12 for assembly.

Fasteners for assembly onto channel must be ordered separately.

- 4 x B1010
- 4 x HS1225



B2815D

▶ Wt 2.27 kg

Surface Finish Available Finish Code

Hot Dip Galvanised	H
Stainless Steel	S

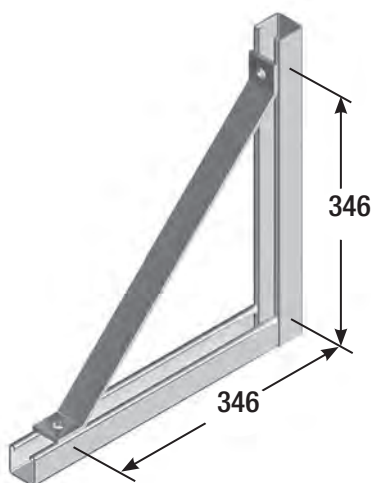
Note

- Stainless steel products are manufactured against firm orders only and are non returnable.
- Powder coating and special finishes on request against firm orders only and are non returnable.



B1354

▶ Wt 0.49 kg



B2452

▶ Wt 0.72 kg

CHANNELS	1
NUTS & BOLTS	2
CANTILEVER BRACKETS	3
CHANNEL FITTINGS	4
LADDERTRAYS	5
CABLE MESH	6
STEEL LADDERS	7
ALUMINIUM LADDERS	8
FIRE RATED	9
COVERS	10
HYGROUND	11

Surface Finish Available Finish Code

Hot Dip Galvanised H
 Stainless Steel S

Note

- Stainless steel products are manufactured against firm orders only and are non returnable.
- Load rating is applicable only if load bearing capacity of supporting element is adequate.
- Powder coating and special finishes on request against firm orders only and are non returnable.



Note Must be used in pairs.

Load per pair 4.50 kN

B1271

▶ **Wt 0.43 kg**

Note Must be used in pairs.

Load per pair 3.92 kN

B1272

▶ **Wt 0.18 kg**



Fasteners for assembly must be ordered separately.

1 x B1010

1 x HS1225

Strut Channel	Load per Pair kN
B1000	5.3
B2000	3.92

Note Must be used in pairs.

B1386

▶ **Wt 0.12 kg**

Surface Finish

Available Finish

Code

Hot Dip Galvanised

H

Stainless Steel

S

Note

- Stainless steel products are manufactured against firm orders only and are non returnable.
- Load rating is applicable only if load bearing capacity of supporting element is adequate.
- Powder coating and special finishes on request against firm orders only and are non returnable.



Part Number	Strut Channel	Load per Pair kN
B1796	B1000	4.3
	B2000	

Note Must be used in pairs.

B1796

▶ Wt 0.49 kg



Part Number	Strut Channel	Load per Pair kN
B2785	B1000	8.82
	B2000	
	B3300	
	B4000	

Note Must be used in pairs.

B2785

▶ Wt 0.41 kg



Part Number	Strut Channel	Load per Pair kN
B2786	B1001	8.82
	B2001	
	B5500	

Note Must be used in pairs.

B2786

▶ Wt 0.46 kg

CHANNELS

1

NUTS & BOLTS

2

CANTILEVER BRACKETS

3

CHANNEL FITTINGS

4

LADDERTRAYS

5

CABLE MESH

6

STEEL LADDERS

7

ALUMINIUM LADDERS

8

FIRE RATED

9

COVERS

10

HYGROUND

11

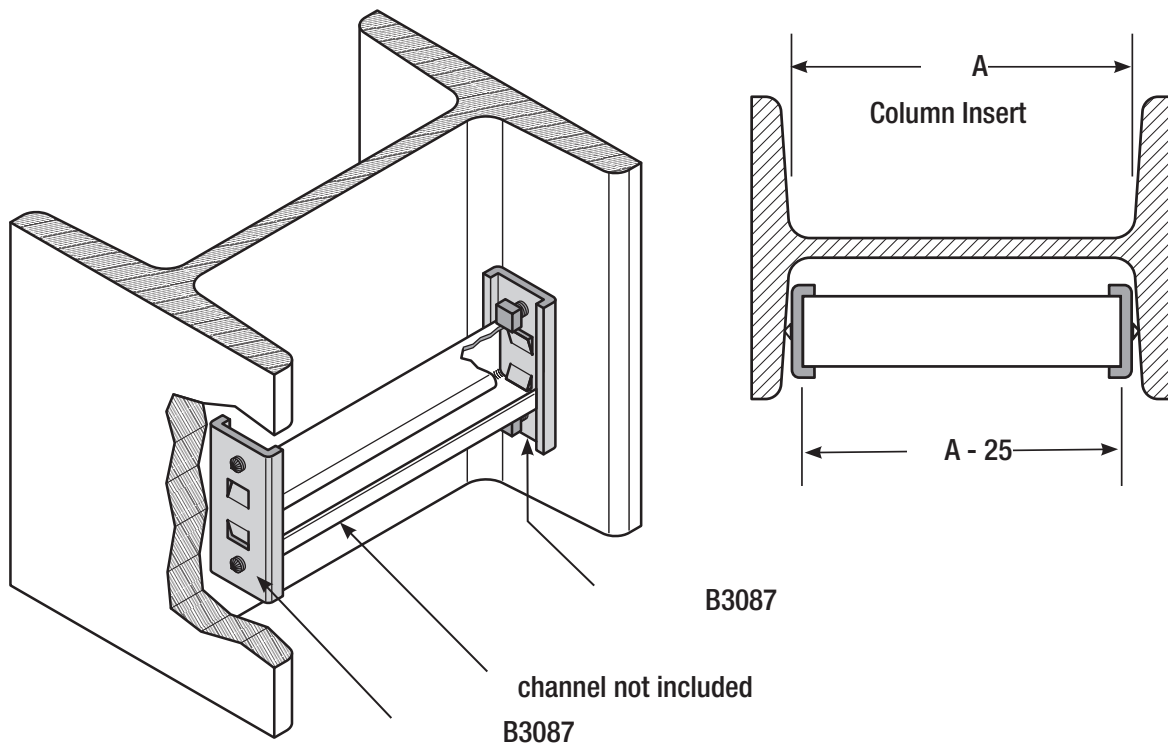
Surface Finish Available Finish Code

Hot Dip Galvanised H

Stainless Steel S

Note

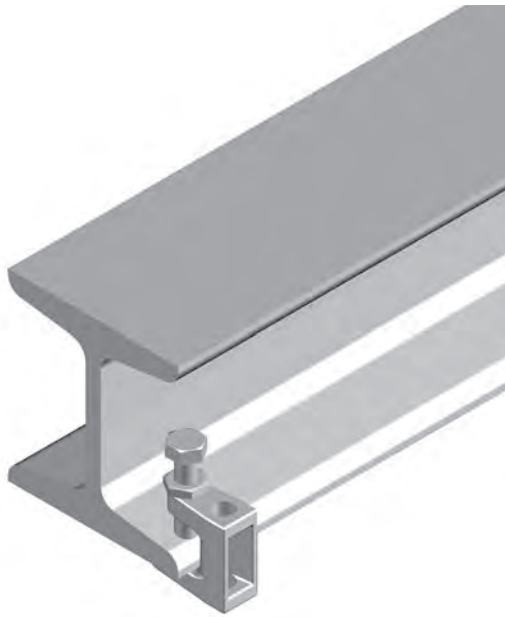
- Stainless steel products are manufactured against firm orders only and are non returnable.
- Load rating is applicable only if load bearing capacity of supporting element is adequate.
- Powder coating and special finishes on request against firm orders only and are non returnable.
- Sold as a Pair



Strut Channel	Load per Pair kN	Slip Load per Pair kN
B1000	4.41	3.53
B2000	2.11	1.32

B3087

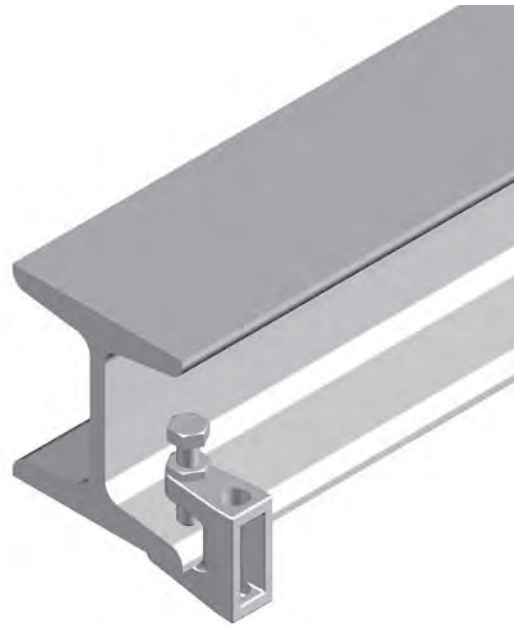
▶ **Wt 0.62 kg**



Suits M10 threaded rod.

BC10H

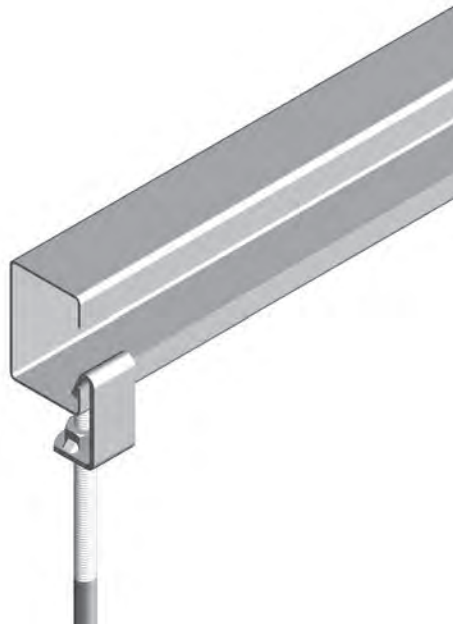
▶ Wt: 0.18 kg



Suits M12 threaded rod.

BC12H

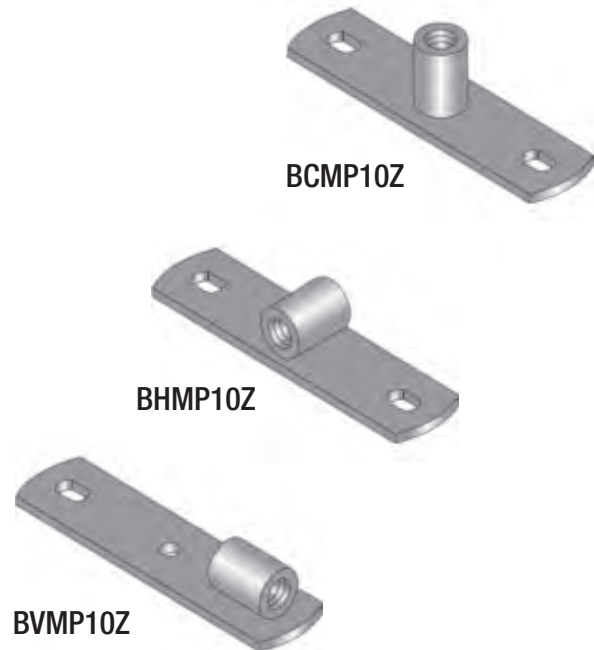
▶ Wt: 0.25 kg



Available in zinc plated finish only.
Suits M10 threaded rod only.

PC10Z

▶ Wt: 0.05 kg



All available in zinc plated finish only.
Suits M10 threaded rod only.

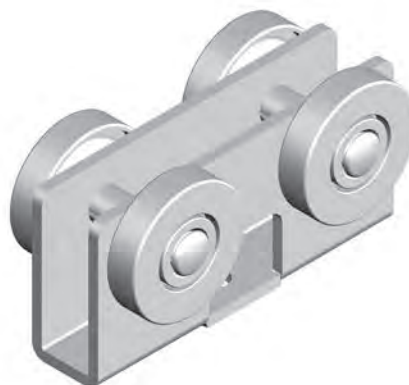
BVMP10Z, BHMP10Z and BCMP10Z

CHANNELS	1
NUTS & BOLTS	2
CANTILEVER BRACKETS	3
CHANNEL FITTINGS	4
LADDERTRAYS	5
CABLE MESH	6
STEEL LADDERS	7
ALUMINIUM LADDERS	8
FIRE RATED	9
COVERS	10
HYGROUND	11



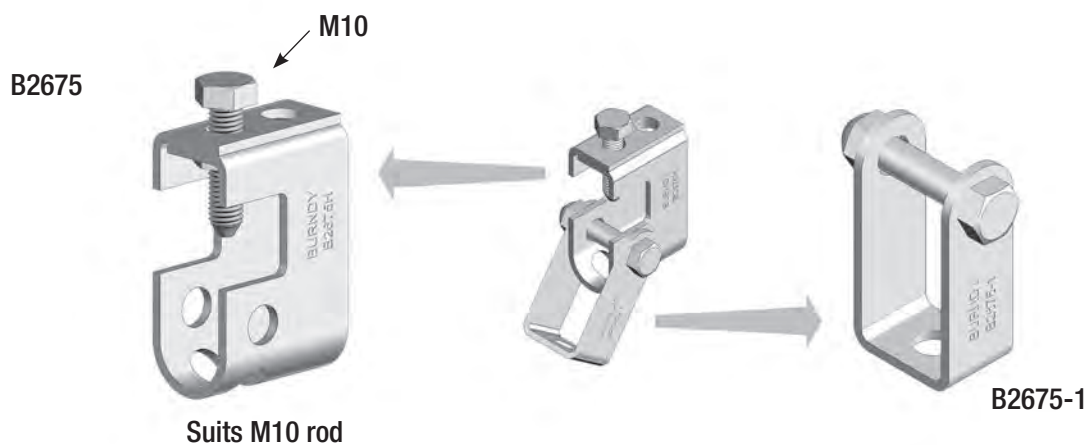
Available in zinc plated finish only.

B2749 ▶ Wt: 0.44 kg

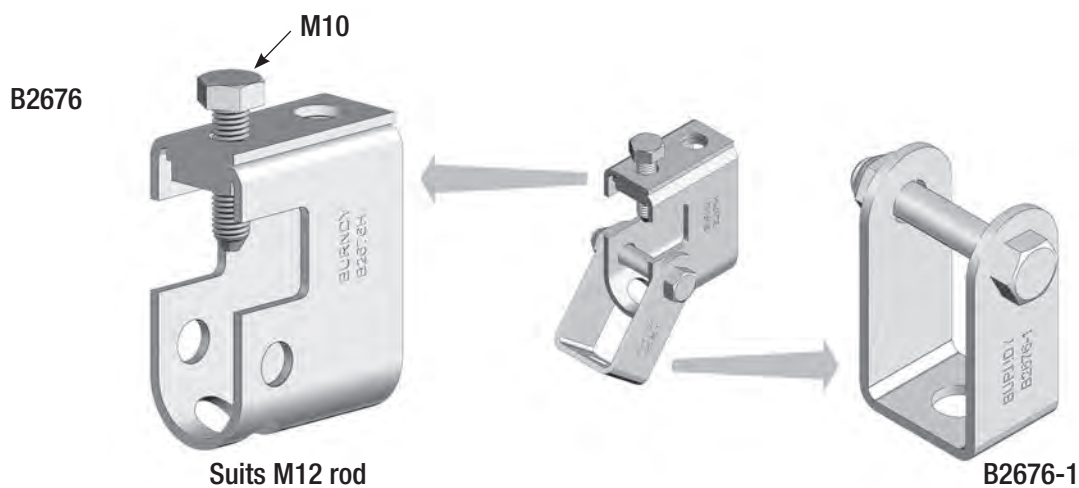


Available in zinc plated finish only.

B2750 ▶ Wt: 0.23 kg

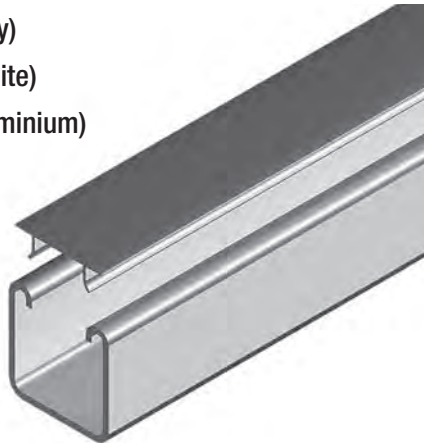


B2675 and B2675-1 ▶ Wt: 0.19 kg



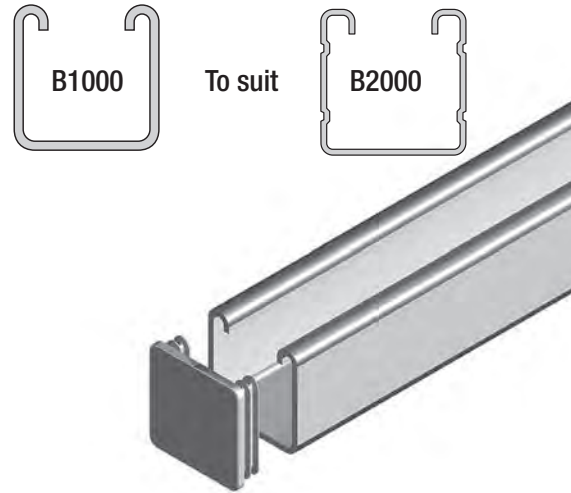
B2676 and B2676-1 ▶ Wt: 0.26 kg

B1184P (grey)
 B1184W (white)
 B1184A (aluminium)

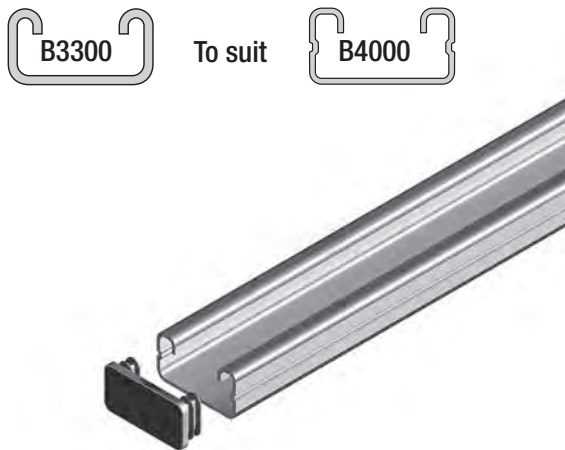


Sold in three metre lengths.

B1184



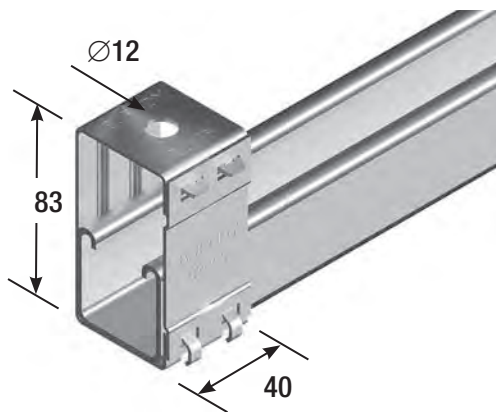
B2240



B3380

Suits B5500 channel.

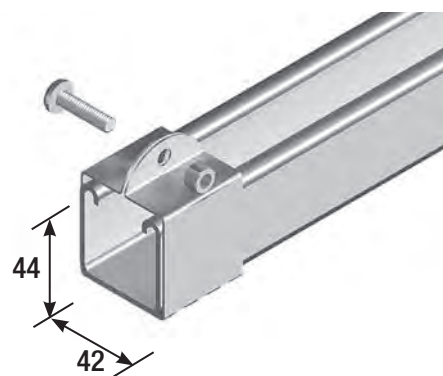
B5580



Hole diameter to suit M10 threaded rod.

Powder coating and special finishes on request against firm orders only and are non returnable.

B2855 ▶ Wt 0.18 kg



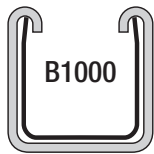
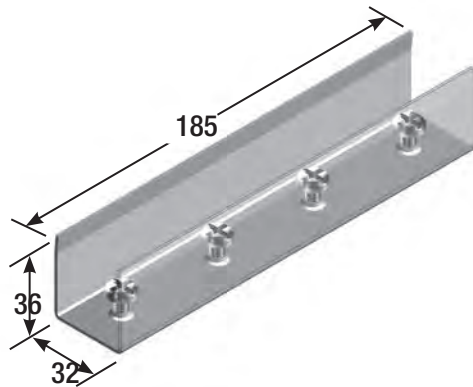
Order fasteners separately PS620 X 1 and HN6 X 1

Powder coating and special finishes on request against firm orders only and are non returnable.

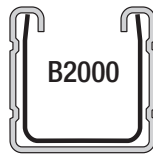
B2539 ▶ Wt 0.11 kg

- CHANNELS 1
- NUTS & BOLTS 2
- CANTILEVER BRACKETS 3
- CHANNEL FITTINGS 4
- LADDERTRAYS 5
- CABLE MESH 6
- STEEL LADDERS 7
- ALUMINIUM LADDERS 8
- FIRE RATED 9
- COVERS 10
- HYGROUND 11

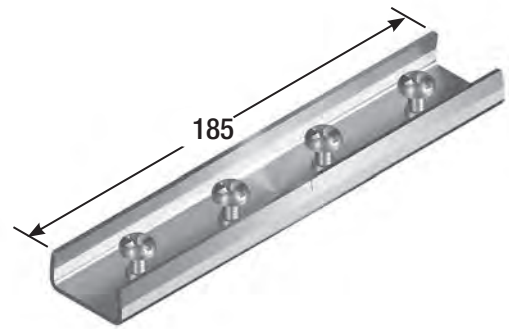
Internal Channel Joiner



To suit



Internal Channel Joiner



To suit



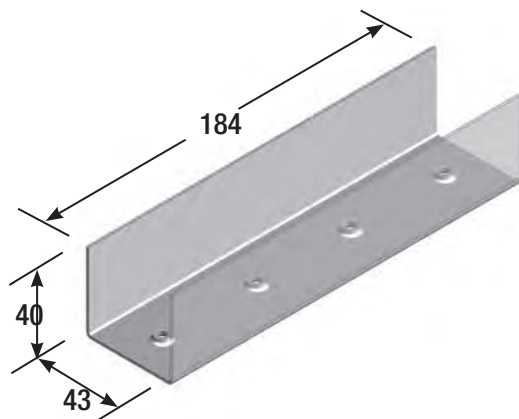
B922J

▶ Wt 0.28 kg

B422J

▶ Wt 0.18 kg

External Channel Joiner



Order fasteners separately;

4 x B3016Z

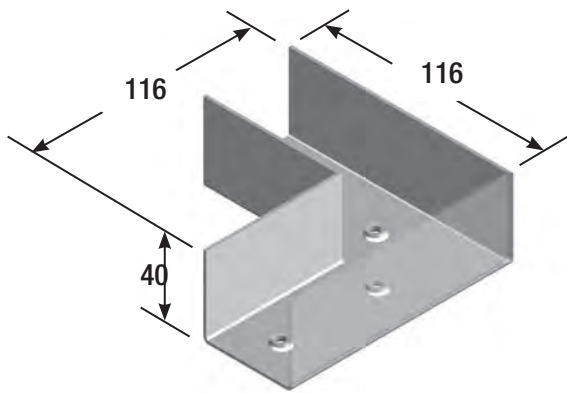
4 x CS616Z

Powder coating and special finishes on request against firm orders only and are non returnable.

B2377Z

▶ Wt 0.28 kg

Joiner Box - Two Way



Finish: Zinc plated

Order fasteners separately;

4 x B3016Z

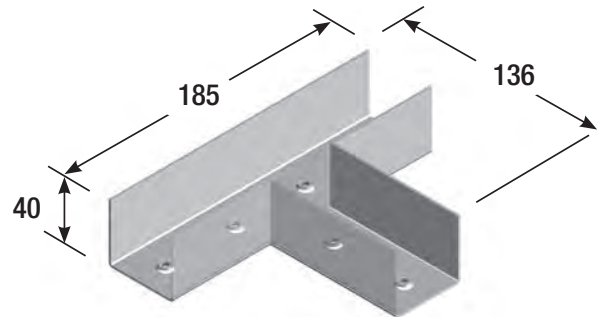
4 x CS616Z

Powder coating and special finishes on request against firm orders only and are non returnable.

B1220B

▶ Wt 0.40 kg

Joiner Box - Two Way



Finish: Zinc plated

Order fasteners separately;

6 x B3016Z

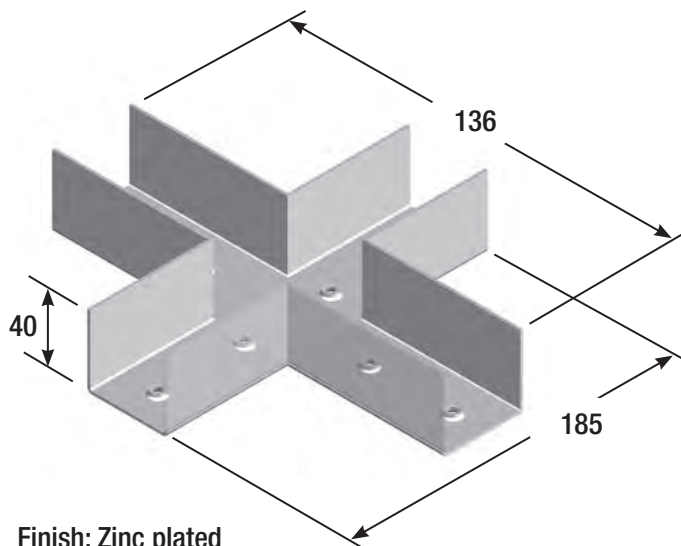
6 x CS616Z

Powder coating and special finishes on request against firm orders only and are non returnable.

B1221T

▶ Wt 0.46 kg

Joiner Box - Two Way



Finish: Zinc plated

Order fasteners separately;

8 x B3016Z

8 x CS616Z

Powder coating and special finishes on request against firm orders only and are non returnable.

B1222C

▶ Wt 0.57 kg

CHANNELS

1

NUTS & BOLTS

2

CANTILEVER BRACKETS

3

CHANNEL FITTINGS

4

LADDERTRAYS

5

CABLE MESH

6

STEEL LADDERS

7

ALUMINIUM LADDERS

8

FIRE RATED

9

COVERS

10

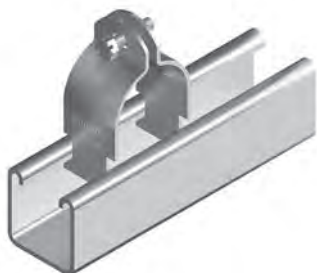
HYGROUND

11

- Available Finish**
- Hot Dip Galvanised
 - Stainless Steel

Note - Stainless steel products are manufactured against firm orders only and are non returnable.

For Product Code/Generic Reference chart refer next page.



Supplied complete with screw

B5 Cable and Pipe Clamps



Sold in 20 metre rolls

B2600 Isolation Strip

Pipe Clamps					
Product Code	Generic Reference	Pull out (KGS)	Slip Along (KGS)	Slip Thru (KGS)	Weight (KGS)
B58	2024	181	32	23	0.04
B511	2025	181	32	23	0.04
B514	2026	272	45	32	0.04
B517	2027	272	45	32	0.04
B519	2028	272	45	32	0.05
B521	2029	272	68	36	0.05
B525	2030	272	68	36	0.05
B527	-	272	68	68	0.05
B529	2031	272	68	68	0.07
B532	2032	363	109	91	0.07
B534	2033	363	109	91	0.08
B538	2034	363	109	91	0.08
B543	2035	363	109	91	0.09
B548	2037	363	109	91	0.12

Continued over page.

Pipe Clamps					
Product Code	Generic Reference	Pull out (KGS)	Slip Along (KGS)	Slip Thru (KGS)	Weight (KGS)
B551	2038	363	109	91	0.12
B554	2039	363	109	91	0.13
B557	2040	363	109	91	0.13
B560	2041	363	109	91	0.14
B564	2042	363	109	91	0.14
B567	2043	363	109	91	0.15
B570	2044	363	109	91	0.15
B573	2045	363	109	91	0.16
B576	2046	363	109	91	0.16
B579	2047	454	145	91	0.17
B583	2048	454	145	91	0.17
B586	2049	454	145	91	0.18
B589	2050	454	145	91	0.18
B592	2051	454	145	91	0.19
B595	2052	454	145	91	0.19
B598	2053	454	145	91	0.20
B5102	2054	454	145	91	0.21
B5105	2055	454	145	91	0.21
B5108	2056	454	145	91	0.21
B5111	2057	454	145	91	0.22
B5114	2058	454	145	91	0.22
B5117	2059	454	145	91	0.23
B5121	2060	454	145	91	0.23
B5127	2062	454	145	91	0.24
B5133	2064	454	145	91	0.25
B5140	2066	454	145	91	0.27
B5146	2068	454	145	91	0.28
B5152	2070	454	145	91	0.28
B5160		454	145	91	0.30
B5165		454	145	91	0.31
B5171		454	145	91	0.32
B5178		454	145	91	0.33
B5191		454	145	91	0.35
B5203		454	145	91	0.37

● H Hot Dip Galvansied
 └ S Stainless Steel

Average minimum safety factor of 5.

CHANNELS 1

NUTS & BOLTS 2

CANTILEVER BRACKETS 3

CHANNEL FITTINGS 4

LADDERTRAYS 5

CABLE MESH 6

STEEL LADDERS 7

ALUMINIUM LADDERS 8

FIRE RATED 9

COVERS 10

HYGROUND 11

Specifications

- Standard Length 3.0 metres.
- Overall height 30 mm
- Cable laying depth 24 mm

Surface Finish

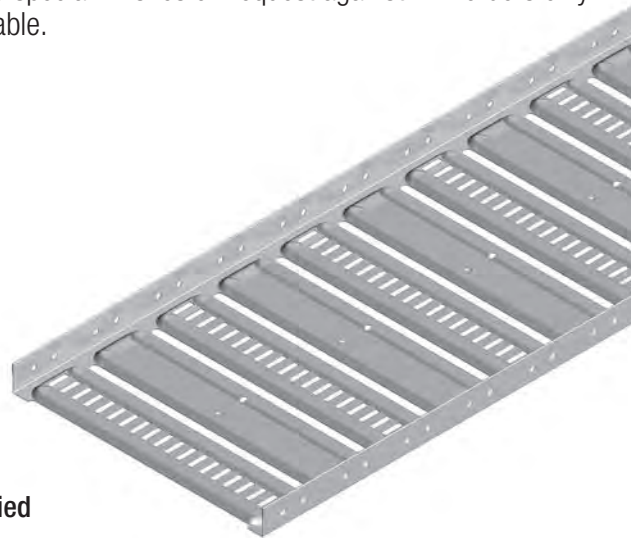
Available Finish	Code
Pre-Galvanised	G
Hot Dipped Galvanised	H
Aluminium	A

Note

- Aluminium products are manufactured against firm orders only and are non returnable.
- Powder coating and special finishes on request against firm orders only and are non returnable.

Cable Laying Width mm	Order Code	Overall Width mm
75	LT175-	77
100	LT1100-	102
150	LT1150-	152
225	LT1225-	227
300	LT1300-	302

- G Pre-Galvanised
- H Hot Dip Galvanised
- A Aluminium



LT1 Laddertray



Use M6 x 10 Pan Screw (PS610Z) and M6 Flanged Nut (FN6Z) for assembly.

Ordering Code WIZ x 2 (PS610Z & FN6Z)

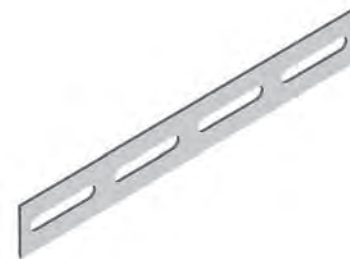
LT1SG



Use M6 x 10 Pan Screw (PS610Z) and M6 Flanged Nut (FN6Z) for assembly.

Ordering Code WIZ x 4 (PS610Z & FN6Z)

LT1RLG



Standard Length: 1.0 metre

Use M6 x 10 Pan Screw (PS610Z) and M6 Flanged Nut (FN6Z) for assembly.

Ordering Code WIZ x 10 (PS610Z & FN6Z)

LT1RPG

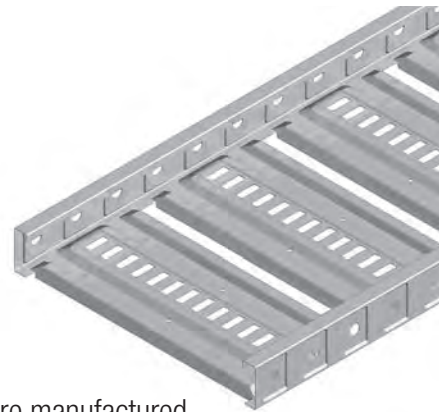
- CHANNELS 1
- NUTS & BOLTS 2
- CANTILEVER BRACKETS 3
- CHANNEL FITTINGS 4
- LADDERTRAYS 5**
- CABLE MESH 6
- STEEL LADDERS 7
- ALUMINIUM LADDERS 8
- FIRE RATED 9
- COVERS 10
- HYGROUND 11

Specifications

- Standard Length 3.0 metres.
- Overall height 50 mm
- Cable laying depth 40 mm

Surface Finish

Available Finish	Code
Pre-Galvanised	G
Hot Dip Galvanised	H
Aluminium	A
Stainless Steel	S



Note

- Aluminium & Stainless Steel products are manufactured against firm orders only and are non returnable.

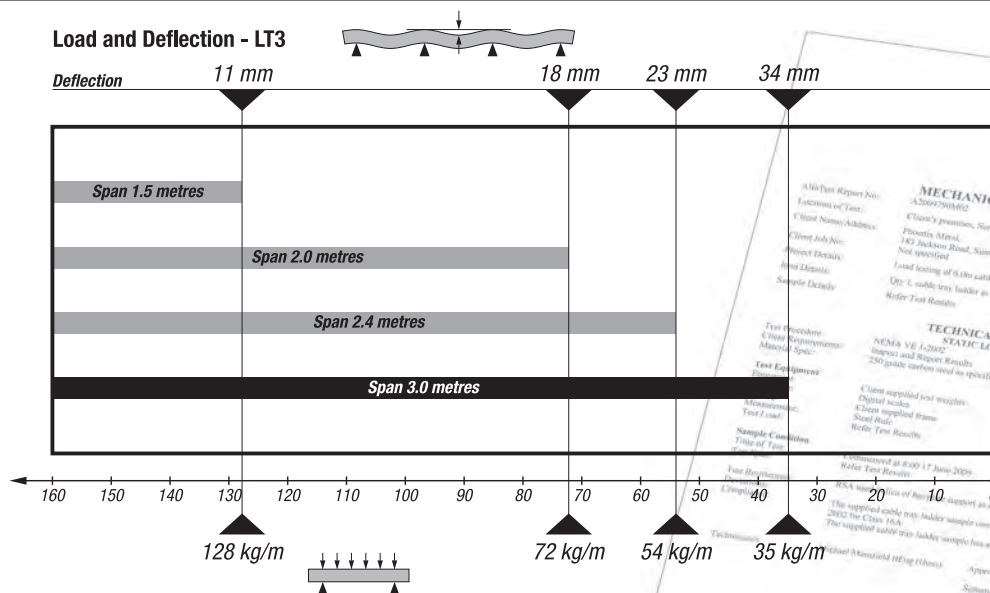
***Contact your local sales office for load data for Aluminium ladder tray**

- Powder coating and special finishes on request against firm orders only and are non returnable.



Cable Laying Width mm	Pre-Galvanised	Hot Dip Galvanised	Aluminium	Stainless Steel	Overall Width mm
150	LT3150G	LT3150H	LT3150A	LT3150S	172
300	LT3300G	LT3300H	LT3300A	LT3300S	322
450	LT3450G	LT3450H	LT3450A	LT3450S	472
600	LT3600G	LT3600H	LT3600A	LT3600S	622

LT3 Laddertray



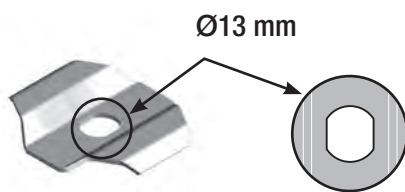
LT3 has been tested in accordance with the NEMA requirements by a NATA certified testing facility. The data displayed is based on physical test results of a 600 wide section and may vary for other widths. The Deflections have been provided as a guide based on continuous spans, and cannot be applied to end spans. Data provided assumes that the installation will be carried out in accordance with NEMA VE2. Non compliance may affect the overall product performance. ***Contact your local sales office for load data for Aluminium ladder tray**

Surface Finish Available Finish Code

Pre-Galvanised G
Hot Dip Galvanised H

Note

- Hot Dip Galvanised products are manufactured against firm orders only.
- Minimum production quantities may apply.
- Powder coating and special finishes on request against firm orders only and are non returnable.



Burndy Centre Hold Down Clamp can be used in place of traditional Hold Down Clamps to reduce the overall trapeze width.

Order fasteners separately for installation.
1 x HS1020, 1 x B1008

LTCHD



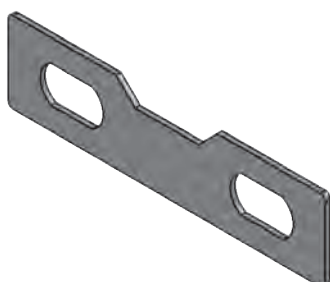
2 Splices required per length of tray.
Order fasteners separately for installation (per splice plate)
2 x LTBOLT, 2 x LTNUT

LT3S



Order fasteners separately for installation
1 x HS1025, 1 x B1008

LT3HD



6 Riser Links required to perform a 90 degree set.
Order fasteners separately for installation (per riser link)
2 x LTBOLT, 2 x LTNUT

LT3RL

CHANNELS 1
NUTS & BOLTS 2
CANTILEVER BRACKETS 3
CHANNEL FITTINGS 4
LADDERTRAYS 5
CABLE MESH 6
STEEL LADDERS 7
ALUMINIUM LADDERS 8
FIRE RATED 9
COVERS 10
HYGROUND 11



2 TX Brackets required to make a tee, and 4 required to make a cross.
 Order fasteners separately for installation (per TX Bracket)
 4 x LTBOLT, 4 x LTNUT

LT3TXH



Nominal length 2.0 metres.
 Order fasteners separately for installation.

Approximate length required to make a 150 radius bend.

Tray Size	Length Required metres	Fasteners Required
LT3150	0.7	6
LT3300	0.9	6
LT3450	1.2	8
LT3600	1.4	8

LT3RP



Available Finish

Zinc Plated
 Hot Dip Galvanised

Code

LTNUT / LTBOLT
 LTNUTH / LTBOLTH

Both items are ordered separately.

Splice Bolts have a smooth head to eliminate the risk of sheathing the cable during installation.

Special counterbore nuts ensure that correct tension is achieved during installation.

LTNUT and LTBOLT



Standard Finish Pre-Galvanised. Can also be supplied in Hot Dip Galvanised finish against firm orders.

Length 3.0 metres.

Note Order B3016 and PS620 separately for installation.

DSLT3 (Divider Strip to suit LT3 Laddertray)

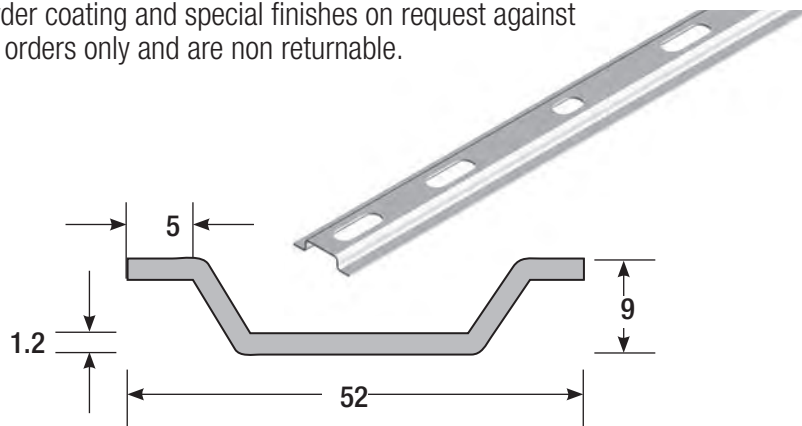
Surface Finish Available Finish Code

- Pre-Galvanised G
- Hot Dip Galvanised H

Note

- Hot Dip Galvanised products are manufactured against firm orders only.
- Minimum production quantities may apply.
- Powder coating and special finishes on request against firm orders only and are non returnable.

Ordering Code	Length mm
LTTS150	250
LTTS300	400
LTTS450	550
LTTS600	700



LTTS (Trapeze Supports to Suit LT3 and LT5)



Ordering Code	Size	Length	Lug Size
BES6-200	6mm ²	200mm	M8
BES16-300	16mm ²	300mm	M10
BES35-350	35mm ²	350mm	M10
BES35-500	35mm ²	500mm	M10
BES70-500	70mm ²	500mm	M12

Note Lug sizes can be customised on request

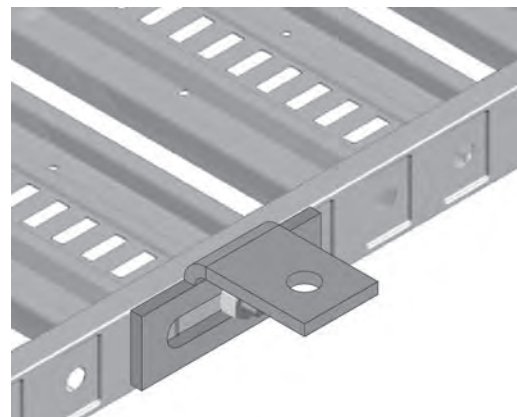
Earth Straps

Available Finish Code

- Pre-Galvanised G
- Hot Dip Galvanised H

Note

- Used in pairs. Order fasteners separately (per bracket)
- 1 x PS816 & 1 x HN8



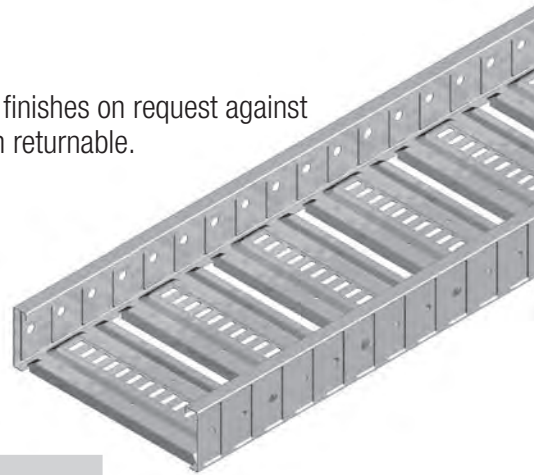
B1033-1 - Laddertray Hanging System

- CHANNELS 1
- NUTS & BOLTS 2
- CANTILEVER BRACKETS 3
- CHANNEL FITTINGS 4
- LADDERTRAYS 5
- CABLE MESH 6
- STEEL LADDERS 7
- ALUMINIUM LADDERS 8
- FIRE RATED 9
- COVERS 10
- HYGROUND 11

- Specifications**
- Standard Length 3.0 metres.
 - Overall height 85 mm
 - Cable laying depth 75 mm

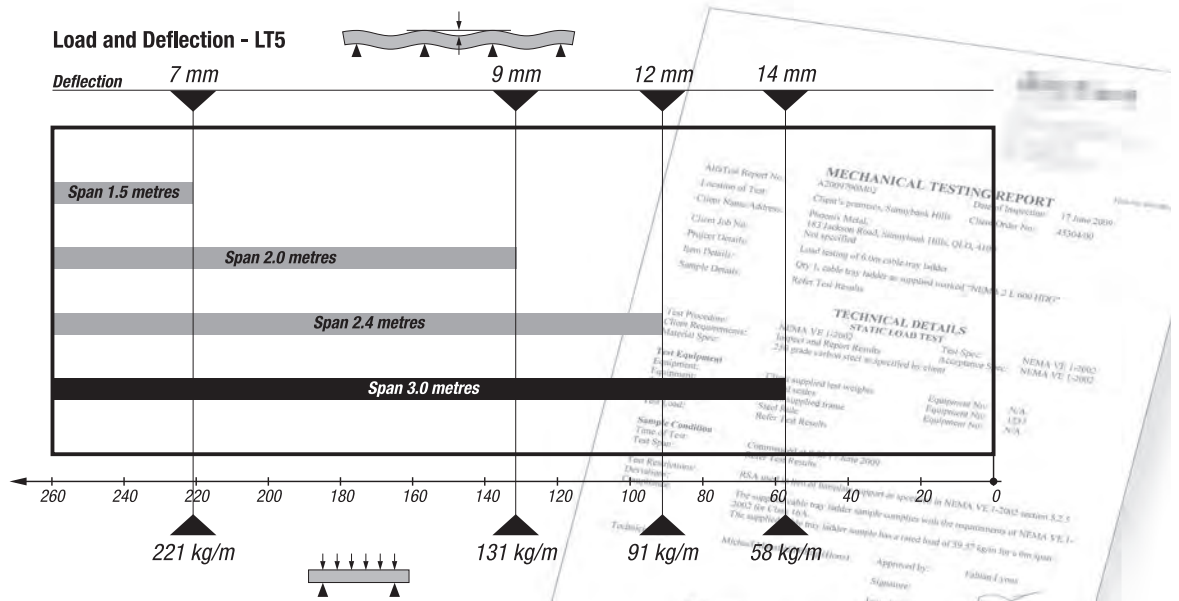
Surface Finish	Available Finish	Code
	Pre-Galvanised	G
	Hot Dip Galvanised	H

Note - Powder coating and special finishes on request against firm orders only and are non returnable.



Cable Laying Width W mm	Ordering Code		Overall Width mm
	Pre-Galvanised	Hot Dip Galvanised	
150	LT5150G	LT5150H	172
300	LT5300G	LT5300H	322
450	LT5450G	LT5450H	472
600	LT5600G	LT5600H	622

LT5 Laddertray



LT5 has been tested in accordance with the NEMA requirements by a NATA certified testing facility. The data displayed is based on physical test results of a 600 wide section and may vary for other widths. The Deflections have been provided as a guide based on continuous spans, and cannot be applied to end spans. Data provided assumes that the installation will be carried out in accordance with NEMA VE2. Non compliance may affect the overall product performance.



Earth Straps

Ordering Code	Size	Length	Lug Size
BES6-200	6mm ²	200mm	M8
BES16-300	16mm ²	300mm	M10
BES35-350	35mm ²	350mm	M10
BES35-500	35mm ²	500mm	M10
BES70-500	70mm ²	500mm	M12

Note Lug sizes can be customised on request



LT5S

2 Splices required per length of tray.

Order fasteners separately for installation (per splice plate)

2 x LTBOLT, 2 x LTNUT



LT5HD

Order fasteners separately for installation

1 x HS1025, 1 x B1008

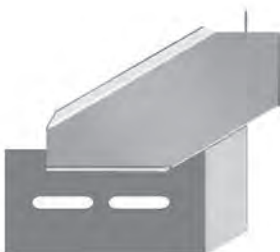


LT5RL

6 Riser Links required to perform a 90 degree set.

Order fasteners separately for installation (per riser link)

2 x LTBOLT, 2 x LTNUT



LT5TX

2 TX Brackets required to make a tee, and 4 required to make a cross.

Order fasteners separately for installation (per TX Bracket)

4 x LTBOLT, 4 x LTNUT

CHANNELS 1

NUTS & BOLTS 2

CANTILEVER BRACKETS 3

CHANNEL FITTINGS 4

LADDERTRAYS 5

CABLE MESH 6

STEEL LADDERS 7

ALUMINIUM LADDERS 8

FIRE RATED 9

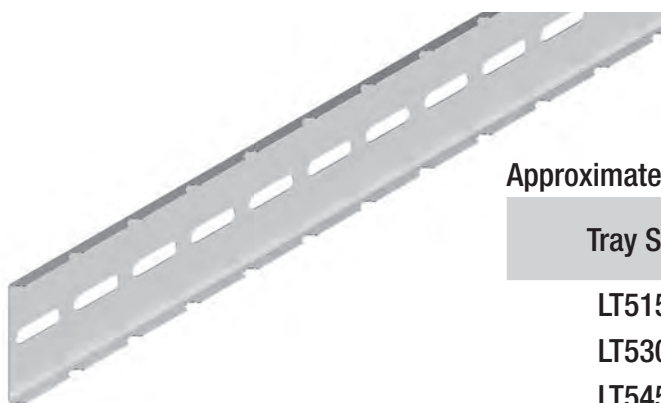
COVERS 10

HYGROUND 11

Surface Finish	Available Finish	Code
	Pre-Galvanised	G
	Hot Dip Galvanised	H

Note

- Hot Dip Galvanised products are manufactured against firm orders only.
- Minimum production quantities may apply.
- Powder coating and special finishes on request against firm orders only and are non returnable.

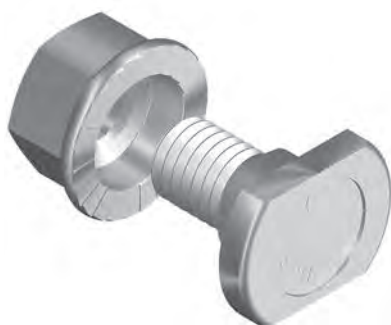


Approximate length required to make a 150 radius bend.

Tray Size	Length Required metres	Fasteners Required
LT5150	0.7	6
LT5300	0.9	6
LT5450	1.2	8
LT5600	1.4	8

Nominal length 2.0 metres.
Order fasteners separately for installation.

LT5RP



Available Finish	Code
Zinc Plated	LTNUT / LTBOLT
Hot Dip Galvanised	LTNUTH / LTBOLTH

Both items are ordered separately.

Splice Bolts have a smooth head to eliminate the risk of sheathing the cable during installation.

Special counterbore nuts ensure that correct tension is achieved during installation.

LTNUT and LTBOLT

Surface Finish Available Finish Code

Pre-Galvanised G
Hot Dip Galvanised H

Note

- Hot Dip Galvanised products are manufactured against firm orders only.
- Minimum production quantities may apply.
- Powder coating and special finishes on request against firm orders only and are non returnable.



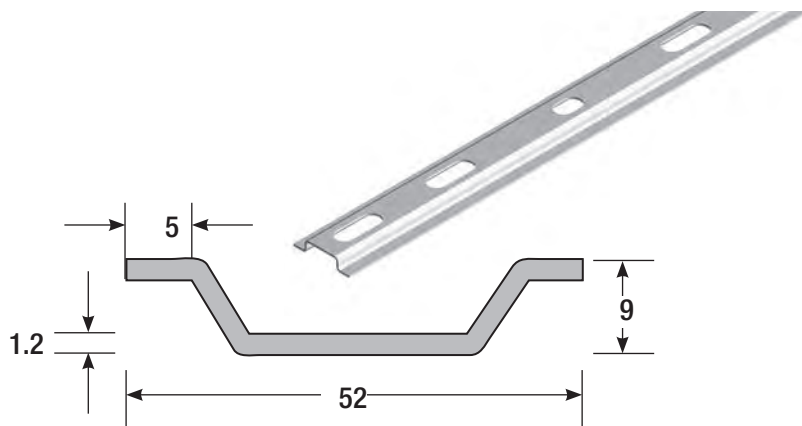
Standard Finish Galvabond. Can also be supplied in Hot Dip Galvanised finish against firm orders.

Length 3.0 metres.

Note Order B3016 and PS620 separately for installation.

DSLT5 (Divider Strip to suit LT5 Laddertray)

Ordering Code	Length mm
LTTS150	250
LTTS300	400
LTTS450	550
LTTS600	700



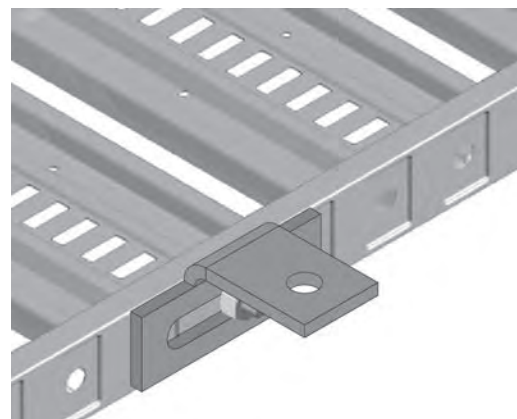
LTTS (Trapeze Supports to Suit LT3 and LT5)

Available Finish Code

Pre-Galvanised G
Hot Dip Galvanised H

Note

- Used in pairs. Order fasteners separately (per bracket)
- 1 x PS816 & 1 x HN8



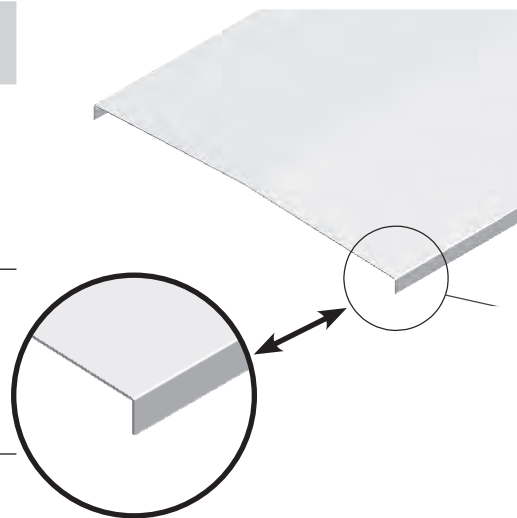
B1033-1 - Laddertray Hanging System

CHANNELS 1
NUTS & BOLTS 2
CANTILEVER BRACKETS 3
CHANNEL FITTINGS 4
LADDERTRAYS 5
CABLE MESH 6
STEEL LADDERS 7
ALUMINIUM LADDERS 8
FIRE RATED 9
COVERS 10
HYGROUND 11

- Specifications**
- Standard Finish: Pre-Galvanised
 - Standard Length: 3.0 metres.

- Note**
- Hot Dip Galvanised Covers are manufactured against firm orders only and are non returnable. Varying degrees of product distortion are likely to occur which may compromise aesthetics.
 - **Covers without strengthening crease are available on request.**
 - Powder coating and special finishes on request against firm orders only and are non returnable.
 - **Burndy flat covers come with a strengthening crease.**

Ordering Code	Nominal Width mm	Internal Width mm
CFLT150G	150	175
CFLT300G	300	325
CFLT450G	450	475
CFLT600G	600	625
CFLT150H	150	175
CFLT300H	300	325
CFLT450H	450	475
CFLT600H	600	625

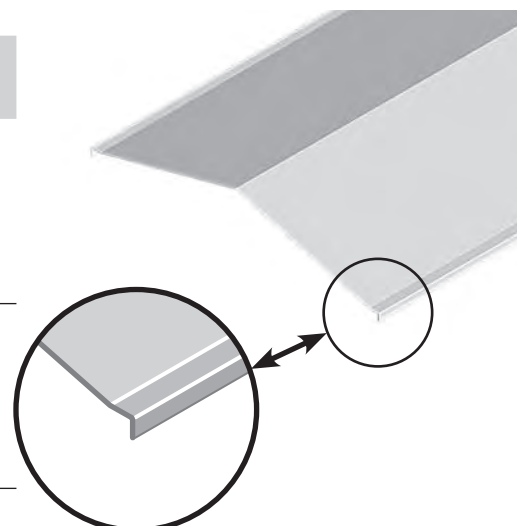


Laddertray LT3/LT5 - Flat Cover

- Specifications**
- Standard Length 3.0 metres.

- Note**
- Hot Dip Galvanised Covers are manufactured against firm orders only and are non returnable. Varying degrees of product distortion are likely to occur which may compromise aesthetics.
 - Powder coating and special finishes on request against firm orders only and are non returnable.

Ordering Code	Nominal Width mm	Internal Width mm
CPLT150G	150	175
CPLT300G	300	325
CPLT450G	450	475
CPLT600G	600	625
CPLT150H	150	175
CPLT300H	300	325
CPLT450H	450	475
CPLT600H	600	625

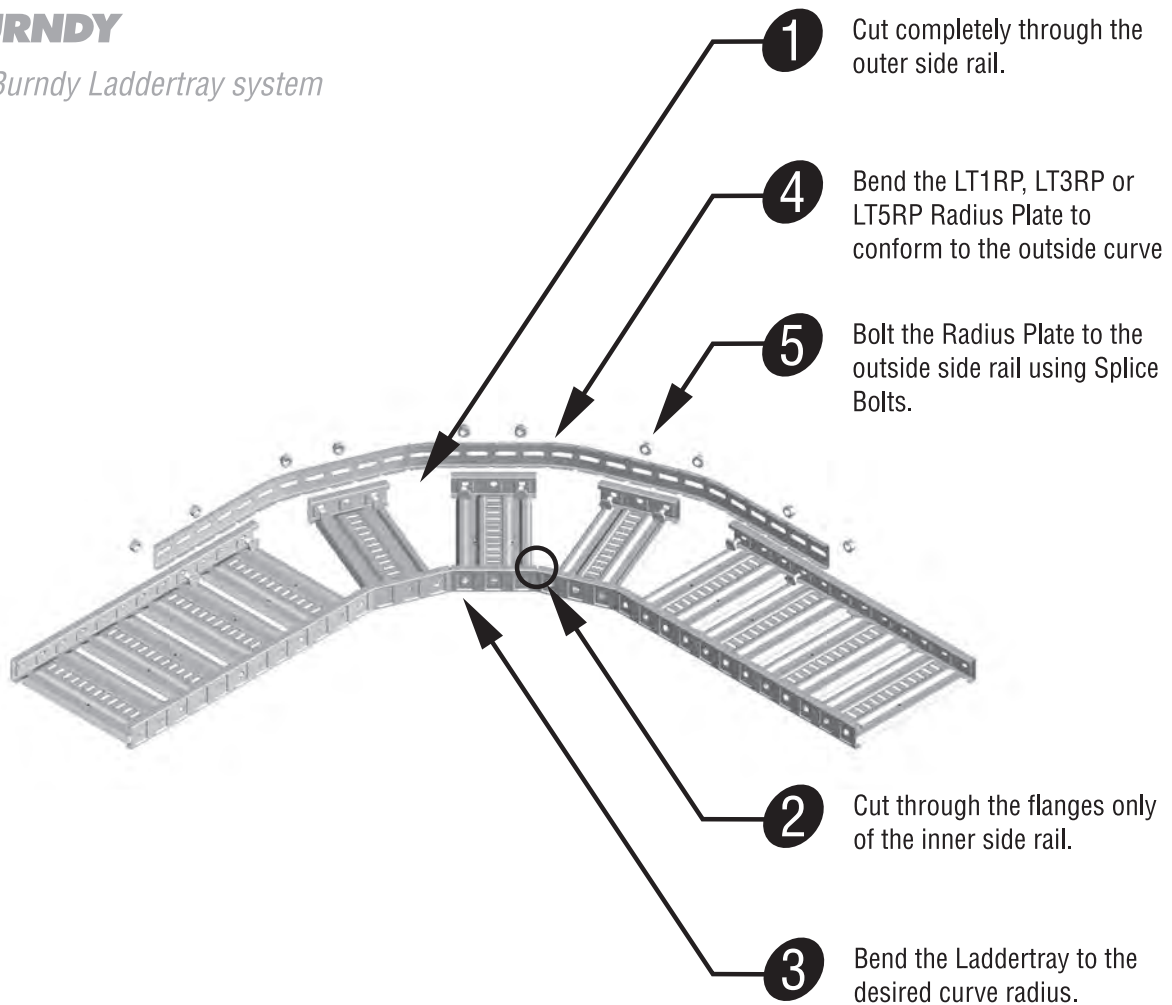


Laddertray LT3/LT5 - Peaked Cover

Making a Horizontal Bend

BURNDY

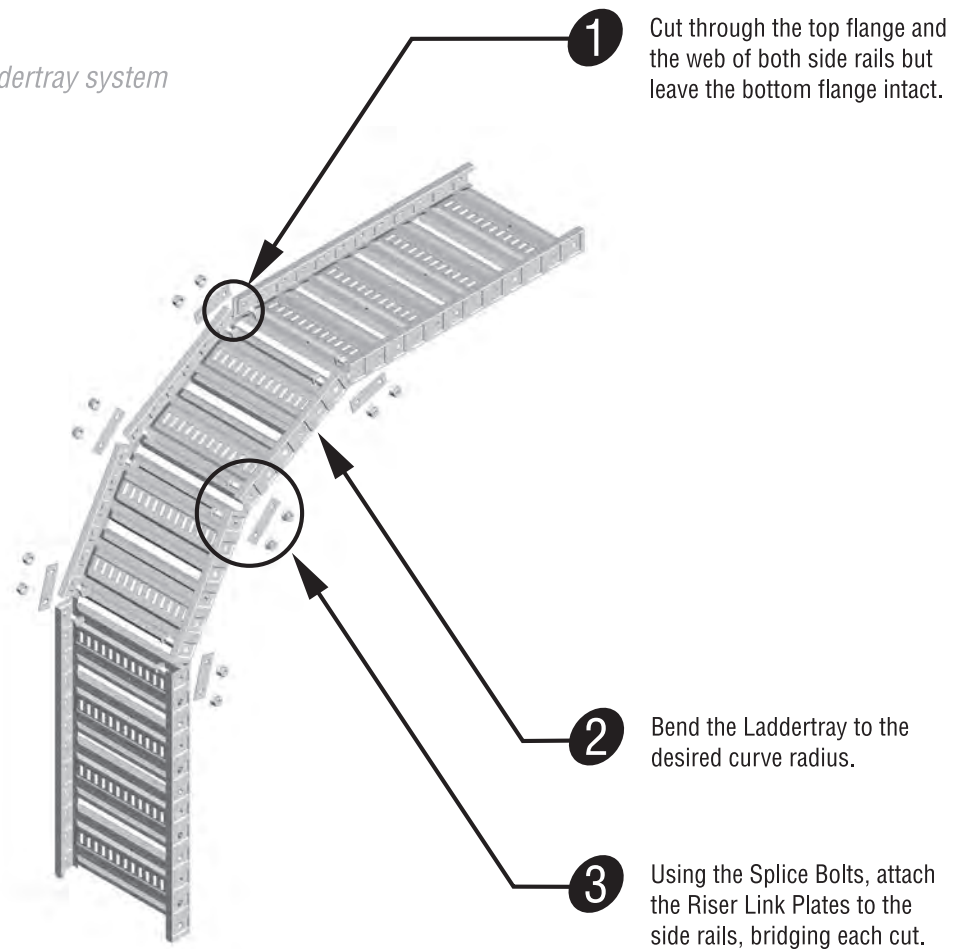
the Burndy Laddertray system



CHANNELS	1
NUTS & BOLTS	2
CANTILEVER BRACKETS	3
CHANNEL FITTINGS	4
LADDERTRAYS	5
CABLE MESH	6
STEEL LADDERS	7
ALUMINIUM LADDERS	8
FIRE RATED	9
COVERS	10
HYGROUND	11

Making an External Riser

BURNDY
the Burndy Laddertray system



Making an Internal Riser

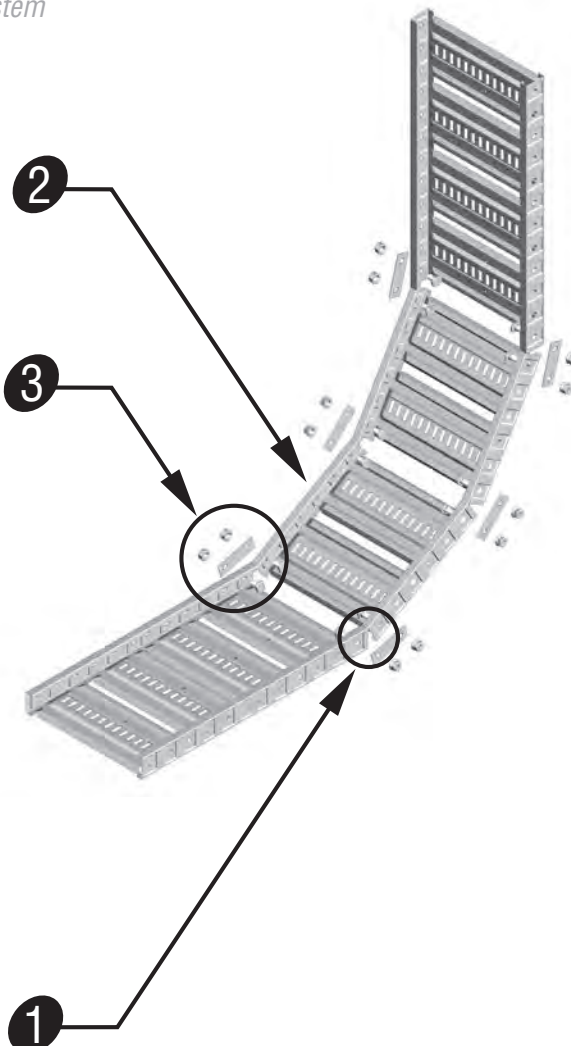
BURNDY

the Burndy Laddertray system

Bend the Laddertray to the desired curve radius.

Using the Splice Bolts, attach the Riser Link Plates to the side rails, bridging each cut.

Cut through the bottom flange and the web of both side rails, but leave the top flange intact.



CHANNELS

1

NUTS & BOLTS

2

CANTILEVER BRACKETS

3

CHANNEL FITTINGS

4

LADDERTRAYS

5

CABLE MESH

6

STEEL LADDERS

7

ALUMINIUM LADDERS

8

FIRE RATED

9

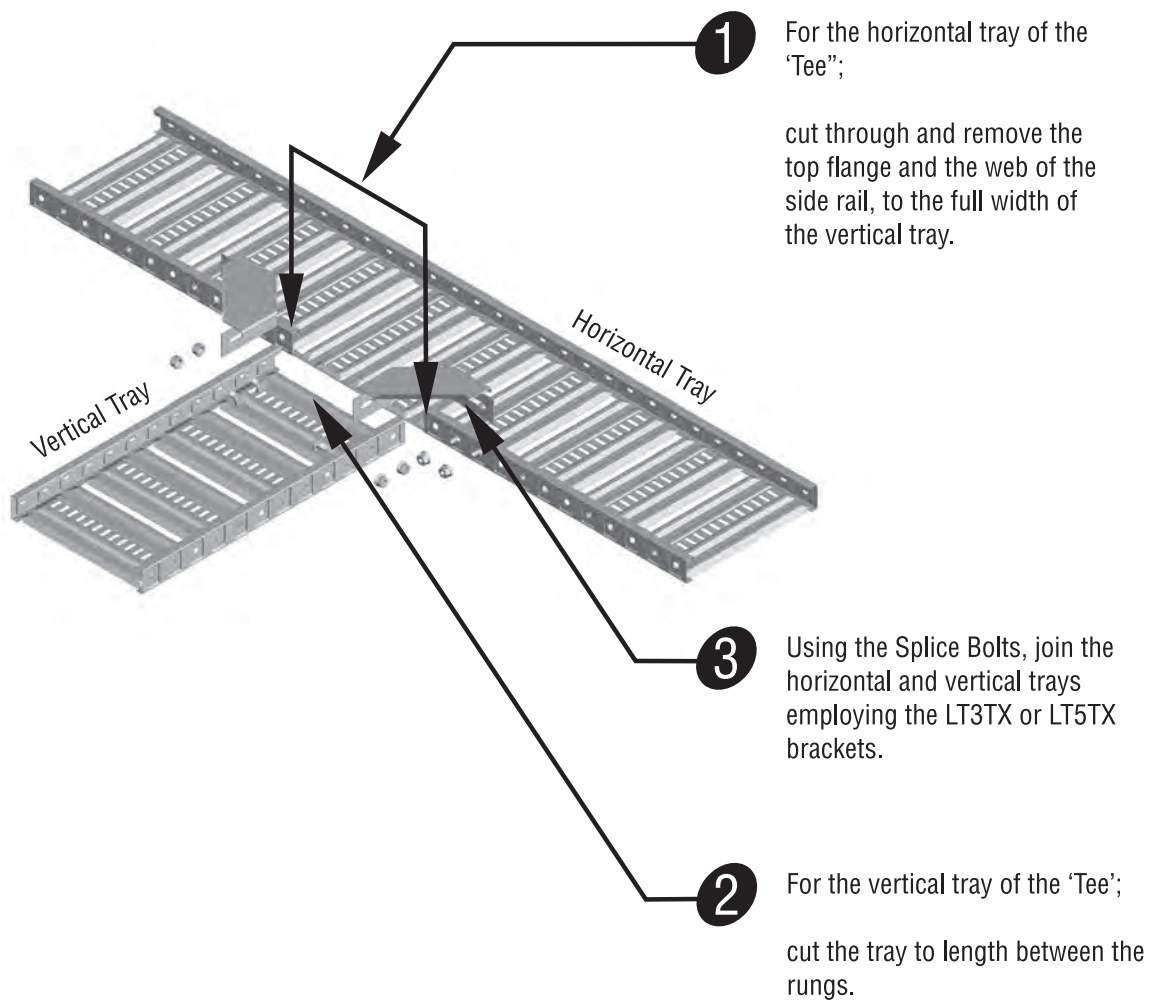
COVERS

10

HYGROUND

11

Making an Tee

BURNDY*the Burndy Laddertray system*

Surface Finish

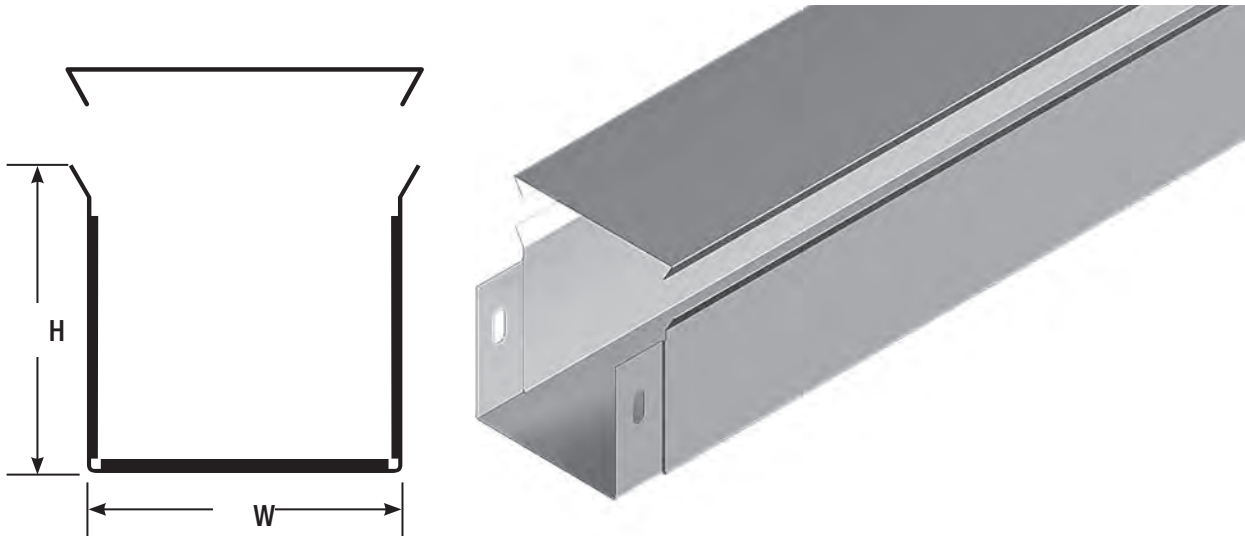
Available Finish

Code

- Pre-Galvanised G
- Hot Dip Galvanised H
- Aluminium A

Note

- Aluminium and Hot Dip Galvanised products are manufactured against firm orders only.
- Powder coating and special finishes on request against firm orders only and are non returnable.



Joining screws (PS610Z) and nuts (FN6Z) sold separately.

Two (2) required per joint. Product code WIZ.

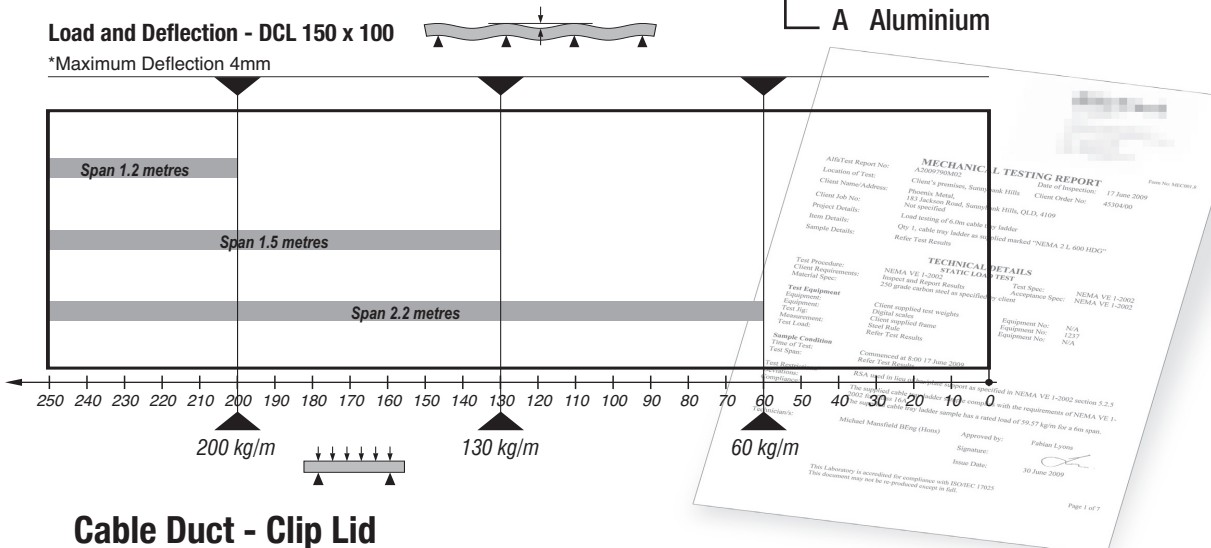
Joining Screws Ordering Code WIZ x 2 (PS610Z & FN6Z).

Supplied in standard 2.4 metre lengths.

Other sizes can be manufactured to firm orders in minimum batch quantities of 100.

Ordering Code	Width W mm	Height H mm
DCL5050	50	50
DCL7575	75	75
DCL100100	100	100
DCL150100	150	100

- G Pre-Galvanised
- H Hot Dip Galvanised
- A Aluminium



- CHANNELS 1
- NUTS & BOLTS 2
- CANTILEVER BRACKETS 3
- CHANNEL FITTINGS 4
- LADDERTRAYS 5
- CABLE MESH 6
- STEEL LADDERS 7
- ALUMINIUM LADDERS 8
- FIRE RATED 9
- COVERS 10
- HYGROUND 11

Surface Finish

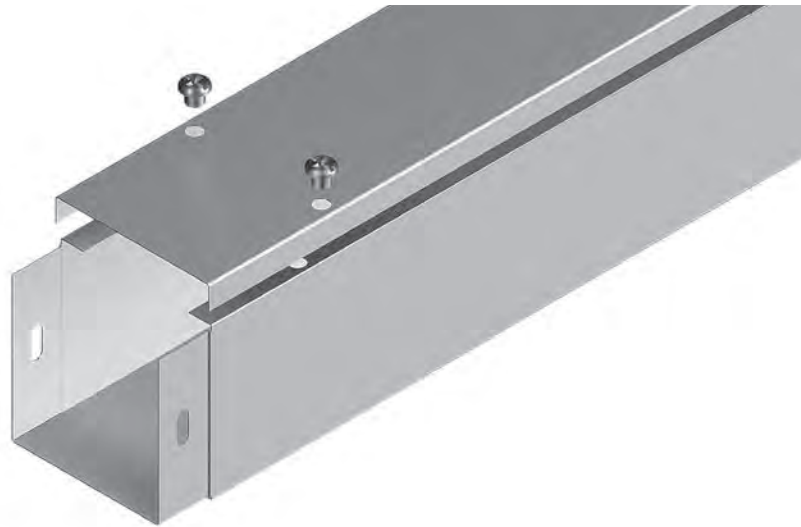
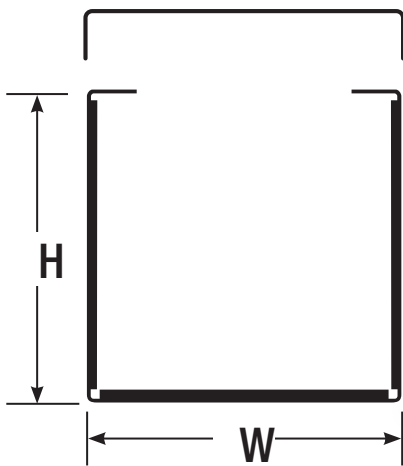
Available Finish

Code

- Pre-Galvanised G
- Hot Dip Galvanised H
- Aluminium A

Note

- Aluminium and Hot Dip Galvanised products are manufactured against firm orders only.
- Powder coating and special finishes on request against firm orders only and are non returnable.



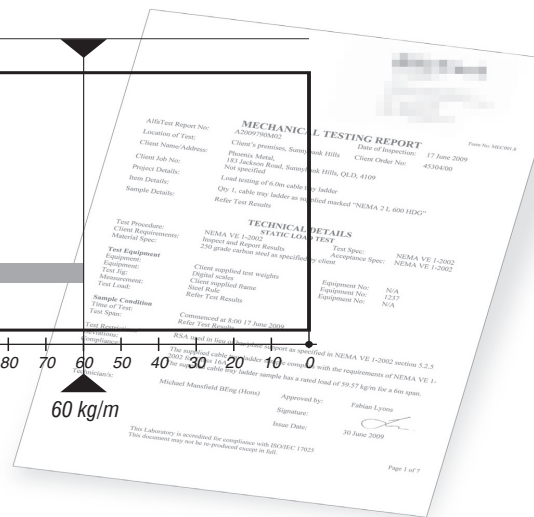
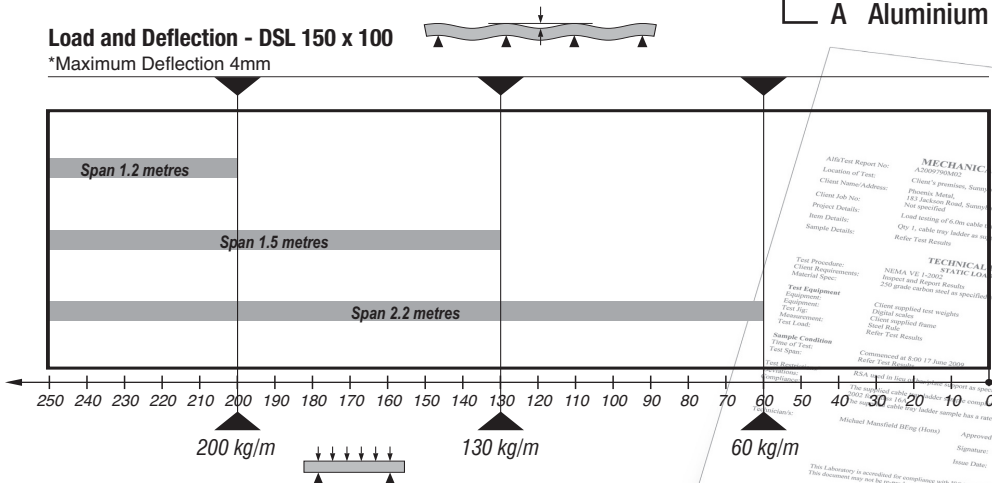
Joining screws (PS610Z) and nuts (FN6Z) sold separately.
 Two (2) required per joint. Product code WIZ.
 Joining Screws Ordering Code WIZ x 2 (PS610Z & FN6Z).
 Supplied in standard 2.4 metre lengths.
 Other sizes can be manufactured to firm orders in minimum batch quantities of 100.

Ordering Code	Width W mm	Height H mm
DSL5050	50	50
DSL7575	75	75
DSL100100	100	100
DSL150100	150	100

- G** Pre-Galvanised
- H** Hot Dip Galvanised
- A** Aluminium

Load and Deflection - DSL 150 x 100

*Maximum Deflection 4mm



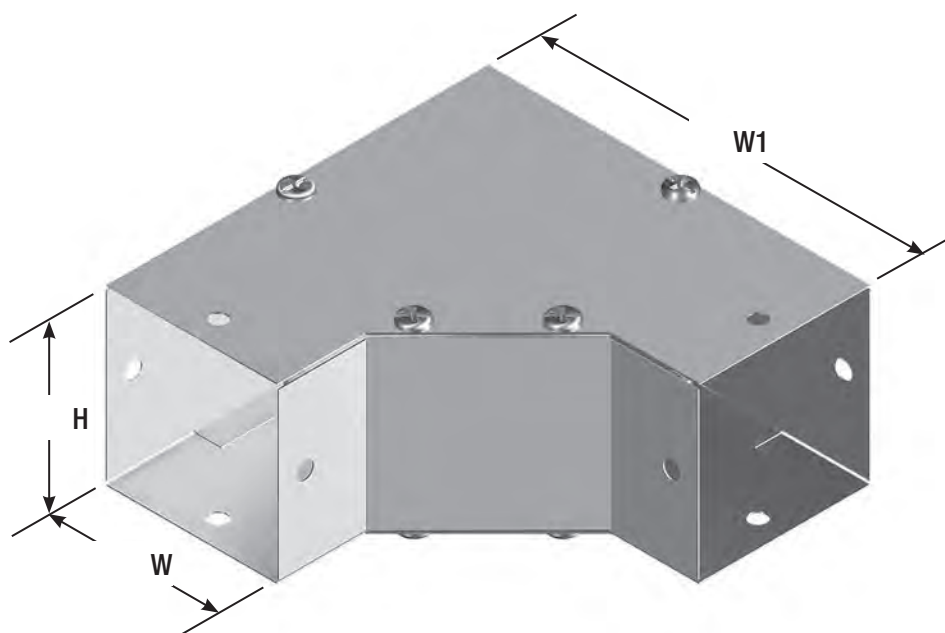
Cable Duct - Screw Lid

Surface Finish Available Finish Code

Pre-Galvanised	G
Hot Dip Galvanised	H
Aluminium	A

Note

- Aluminium and Hot Dip Galvanised products are manufactured against firm orders only.
- Powder coating and special finishes on request against firm orders only and are non returnable.



Ordering Code	Width W mm	Height H mm	Width W1 mm
DCB5050	50	50	167
DCB7575	75	75	192
DCB100100	100	100	217
DCB150100	150	100	267

- G Pre-Galvanised
- H Hot Dip Galvanised
- A Aluminium

Joining screws (PS610Z) and nuts (FN6Z) sold separately. Two (2) required per joint. Product code WIZ.

Joining Screws Ordering Code WIZ x 4 (PS610Z & FN6Z).

Combination Bend/Riser requires four (4) screws per fitting for installation.

Combination Bend Riser

CHANNELS 1

NUTS & BOLTS 2

CANTILEVER BRACKETS 3

CHANNEL FITTINGS 4

LADDERTRAYS 5

CABLE MESH 6

STEEL LADDERS 7

ALUMINIUM LADDERS 8

FIRE RATED 9

COVERS 10

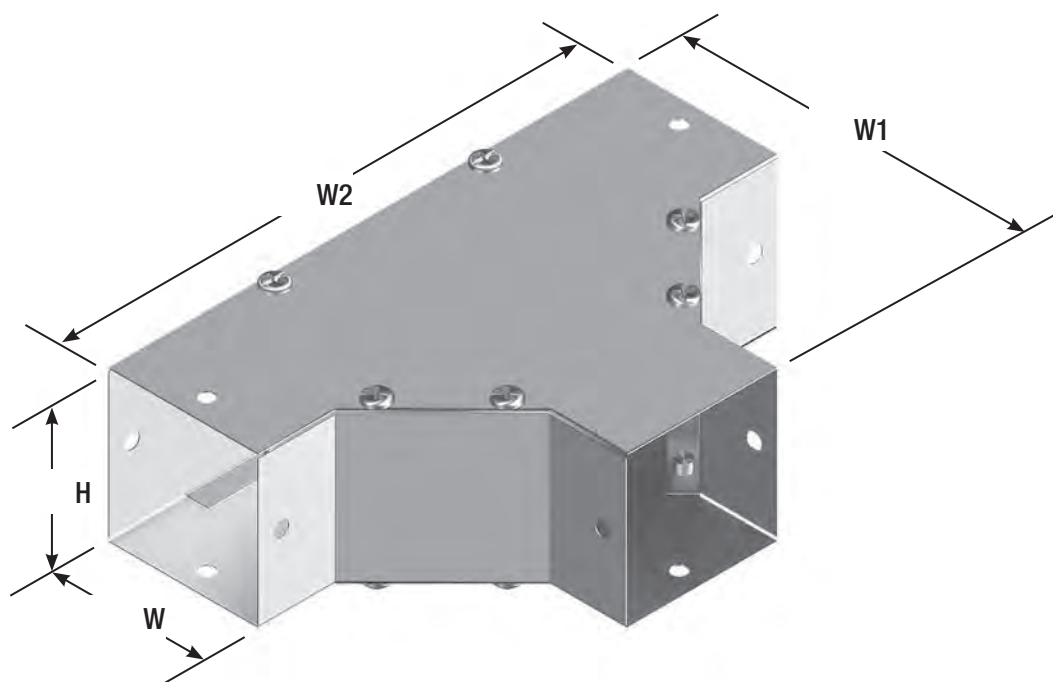
HYGROUND 11

Surface Finish Available Finish Code

Pre-Galvanised	G
Hot Dip Galvanised	H
Aluminium	A

Note

- Aluminium and Hot Dip Galvanised products are manufactured against firm orders only.
- Powder coating and special finishes on request against firm orders only and are non returnable.



Ordering Code	Width W mm	Height H mm	Width W1 mm	Width W2 mm
DCT5050	50	50	167	287
DCT7575	75	75	192	312
DCT100100	100	100	217	337
DCT150100	150	100	267	387

- G Pre-Galvanised
- H Hot Dip Galvanised
- A Aluminium

Joining screws (PS610Z) and nuts (FN6Z) sold separately.
Two (2) required per joint. Product code WIZ.

Joining Screws Ordering Code WIZ x 6 (PS610Z & FN6Z).

Combination Tee requires six (6) screws per fitting for installation.

Combination Tee

Surface Finish

Available Finish

Code

Aluminium and stainless steel products are manufactured against firm orders only. They are non returnable and minimum batch quantities may apply.

- Pre-Galvanised G
- Hot Dip Galvanised H
- Stainless Steel S
- Aluminium A

Length

- 2.4 metres

Note

- Powder coating and special finishes on request against firm orders only and are non returnable.
- Hot Galvanised products may come with varying degrees of product distortion which may compromise aesthetics.



Use M6 x 10 Pan Screw (PS610Z) and M6 Flanged Nut (FN62 x 2) for installation of accessories.

Ordering Code WIZ x 2 (PS610Z & FN6Z).

Cable Laying Width mm	Galvabond	Hot Dip Galvanised
75	CT75G	CT75H
100	CT100G	CT100H
150	CT150G	CT150H
225	CT225G	CT225H
300	CT300G	CT300H
450	CT450G	CT450H
600	CT600G	CT600H

Cable Tray



Use M6 x 10 Pan Screw (PS610Z) and M6 Flanged Nut (FN62 x 2) for installation of accessories.

Ordering Code WIZ x 2 (PS610Z & FN6Z).

Cable Laying Width mm	Galvabond	Hot Dip Galvanised
75	CTB75G	CTB75H
100	CTB100G	CTB100H
150	CTB150G	CTB150H
225	CTB225G	CTB225H
300	CTB300G	CTB300H
450	CTB450G	CTB450H
600	CTB600G	CTB600H

Cable Tray Bend

- CHANNELS 1
- NUTS & BOLTS 2
- CANTILEVER BRACKETS 3
- CHANNEL FITTINGS 4
- LADDERTRAYS 5
- CABLE MESH 6
- STEEL LADDERS 7
- ALUMINIUM LADDERS 8
- FIRE RATED 9
- COVERS 10
- HYGROUND 11

Surface Finish

Available Finish

Code

Aluminium and stainless steel products are manufactured against firm orders only. They are non returnable and minimum batch quantities may apply.

- Pre-Galvanised G
- Hot Dip Galvanised H
- Stainless Steel S]
- Aluminium A]

- Manufactured against firm orders only. Stainless steel products are non returnable and minimum batch quantities may apply).

Length

- 2.4 metres

Note

- Powder coating and special finishes on request against firm orders only and are non returnable.
- Hot Galvanised products may come with varying degrees of product distortion which may compromise aesthetics.

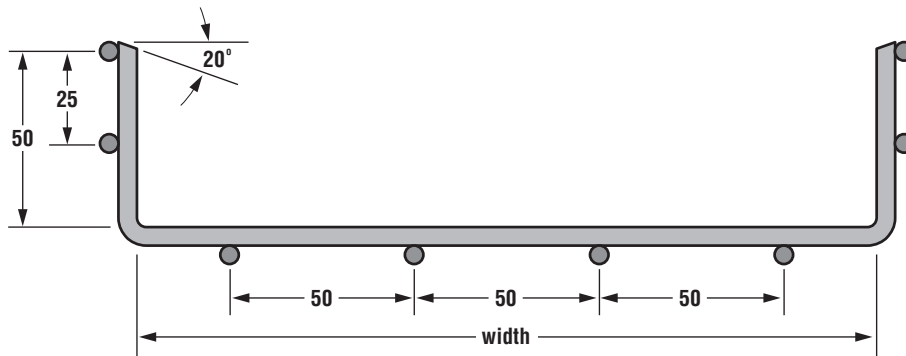


Use M6 x 10 Pan Screw (PS610Z) and M6 Flanged Nut (FN62 x 2) for installation of accessories.

Ordering Code WIZ x 2 (PS610Z & FN6Z).

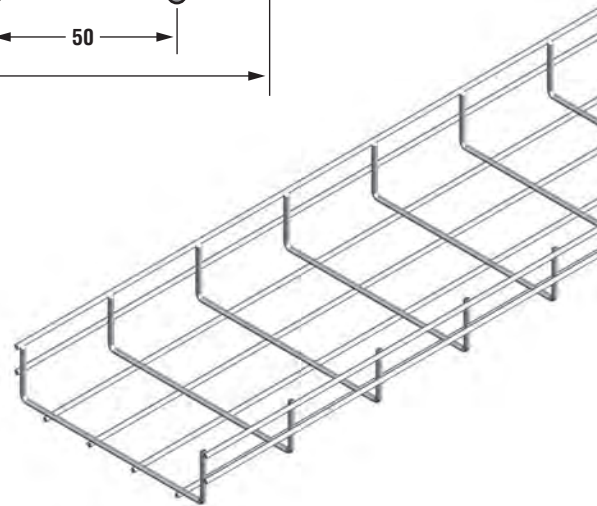
Cable Laying Width mm	Pre-Galvanised	Hot Dip Galvanised
75	CTT75G	CTT75H
100	CTT100G	CTT100H
150	CTT150G	CTT150H
225	CTT225G	CTT225H
300	CTT300G	CTT300H
450	CTT450G	CTT450H
600	CTT600G	CTT600H

Cable Tray Tee



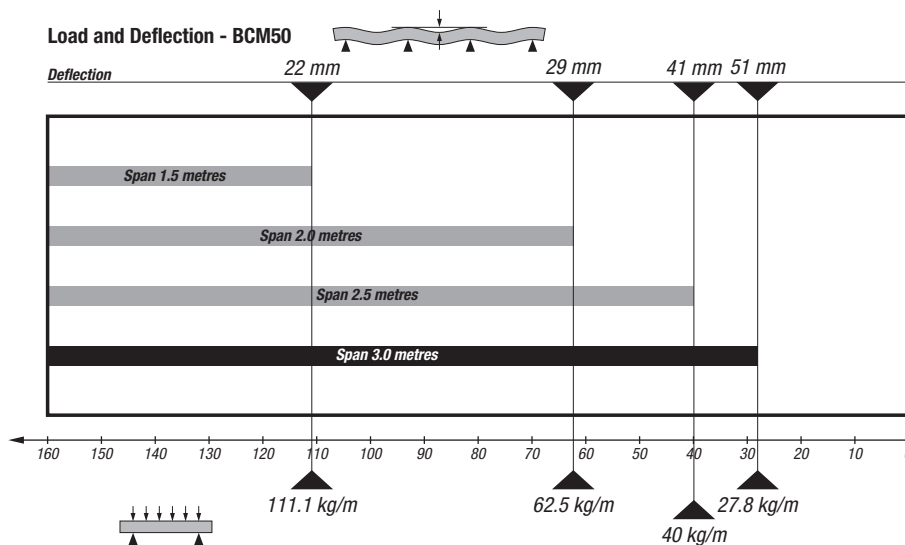
Note - Supplied in 3 metre lengths.

Ordering Code	Height mm	Width	
		mm	inch
BCM150	50	150	6
BCM300	50	300	12
BCM450	50	450	18
BCM600	50	600	24



- H Hot Dip Galvansied (made to order)
- PG Pregal
- S Stainless Steel

- Stainless Steel against firm orders only and non returnable.
- Powder coating and special finishes on request against firm orders only and are non returnable.



BCM has been tested in accordance with the NEMA requirements. The data displayed is based on physical test results of a 600 wide section and may vary for other widths. The Deflections have been provided as a guide based on continuous spans, and cannot be applied to end spans. Data provided assumes that the installation will be carried out in accordance with NEMA VE2. Non compliance may affect the overall product performance.

BCM50 Wire Mesh Cable Trays

- CHANNELS 1
- NUTS & BOLTS 2
- CANTILEVER BRACKETS 3
- CHANNEL FITTINGS 4
- LADDERTRAYS 5
- CABLE MESH 6
- STEEL LADDERS 7
- ALUMINIUM LADDERS 8
- FIRE RATED 9
- COVERS 10
- HYGROUND 11

Ordering Code BCMCP

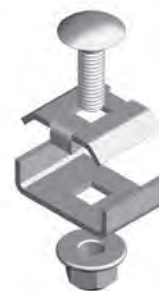
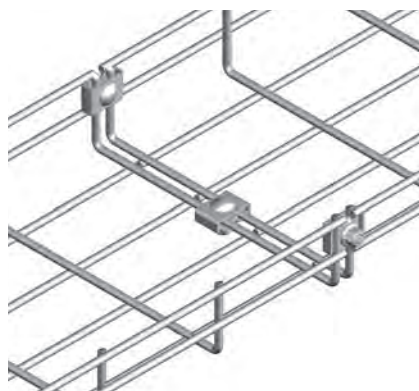
Used to join sections of straight mesh cable trays. A minimum of three couplers is required per joint. The coupler is supplied complete with an M6 bolt and an M6 flange nut.

Finish:

H - Hot Dip Galvanised (made to order)

PG - Pregal

S - Stainless Steel



Note - Powder coating and special finishes on request against firm orders only and are non returnable.

BCMCP Coupler

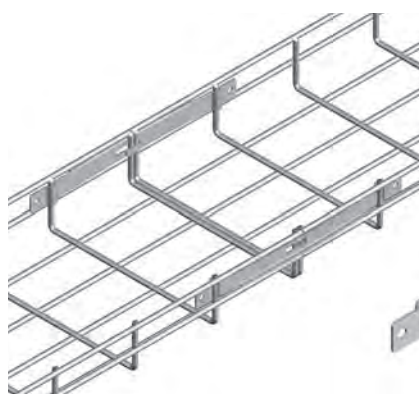
Ordering Code BCMSP

Intended for light loads, the BCMSP provides a quick and simple method of joining sections of straight mesh cable trays.

Finish:

Z - Zinc Electro Plated

H - Hot Dip Galvanised (made to order)



Note - Powder coating and special finishes on request against firm orders only and are non returnable.

BCMSP Fast Fix Splicer

Ordering Code BCMSB

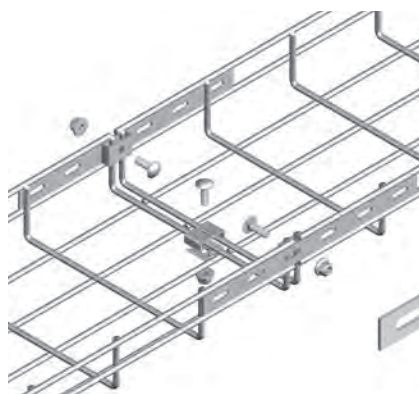
Used to make the joint between two wire mesh cable trays stronger and stiffer. Also used to construct tees, crosses, risers and reducers.

Finish:

H - Hot Dip Galvanised (made to order)

PG - Pregal

S - Stainless Steel



Note - Powder coating and special finishes on request against firm orders only and are non returnable.

BCMSB Strengthening Bar

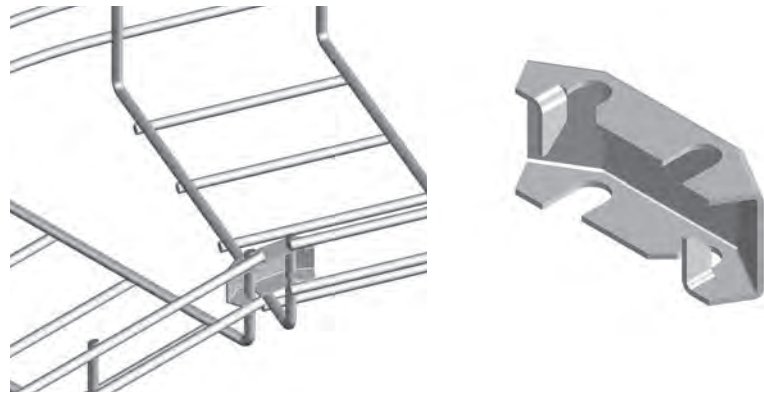
Ordering Code BCMCPF

An alternative to BCMCP when making bends. Mainly used for smaller wire mesh trays.

Finish:

H - Hot Dip Galvanised
(made to order)

PG - Pregal



Note - Powder coating and special finishes on request against firm orders only and are non returnable.

BCMCPF Coupler Fastlock

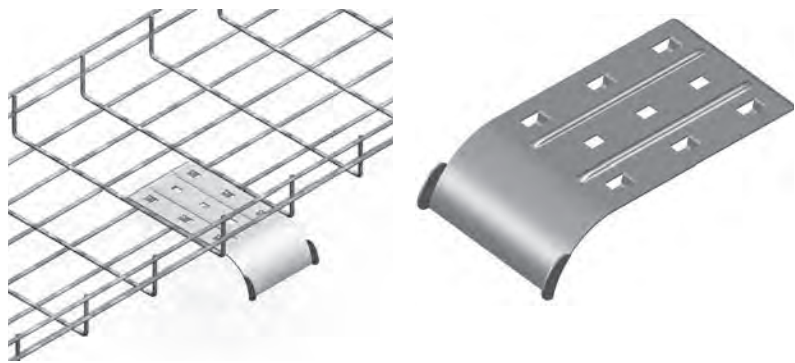
Ordering Code BCMCG

Facilitates cables to emerge from the cable tray.

Finish:

H - Hot Dip Galvanised
(made to order)

PG - Pregal



Note - Powder coating and special finishes on request against firm orders only and are non returnable.

BCMCG Cable Guide

Ordering Code BCMHH

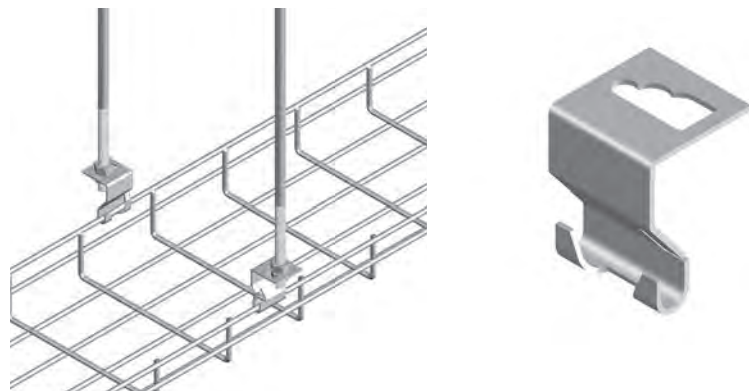
Used to hang cable trays from an overhead support. Intended for light loads.

Finish:

H - Hot Dip Galvanised
(made to order)

PG - Pregal

S - Stainless Steel



Note - Powder coating and special finishes on request against firm orders only and are non returnable.

BCMHH Hanging Hook

CHANNELS 1

NUTS & BOLTS 2

CANTILEVER BRACKETS 3

CHANNEL FITTINGS 4

LADDERTRAYS 5

CABLE MESH 6

STEEL LADDERS 7

ALUMINIUM LADDERS 8

FIRE RATED 9

COVERS 10

HYGROUND 11

Ordering Code

**BCMT150PG, BCMT300PG,
BCMT450PG, BCMT600PG,
BCMT2.5MTRPG**

Commonly used for ceiling mounting.
M10 rods allow heavier loads to be
carried.

BCMT series can also be used to support
a cable tray from the floor.

Finish:

H - Hot Dip Galvanised (made to order)

PG - Pre-Galvanised



Note - Powder coating and special finishes on request against
firm orders only and are non returnable.

BCMT Trapeze (Pre-Galvanised)

Ordering Code

BCMWB150, BCMWB300, BCMWB450, BCMWB600

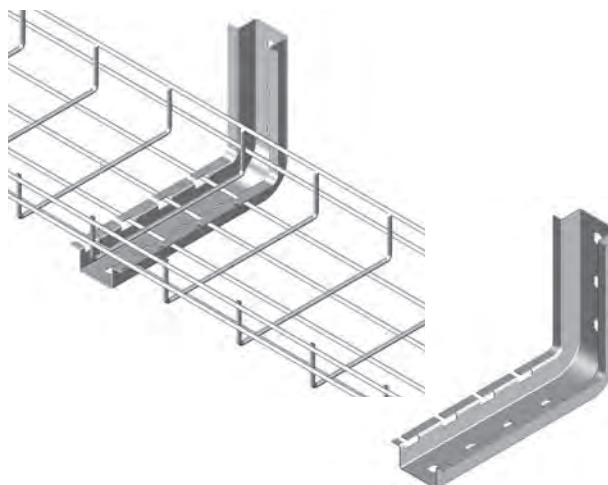
Used to support wire mesh cable trays from a vertical surface such as a wall.

Width: 150, 300, 450, 600 mm

Finish:

Z - Zinc Electro Plated

H - Hot Dip Galvanised (made to order)



Note - Powder coating and special finishes on request against firm orders only and are non returnable.

BCMWB L Type Wall Bracket

Ordering Code BCMHD

For connecting a wire mesh cable tray to a supporting channel.

Material Thickness: 1.6 mm

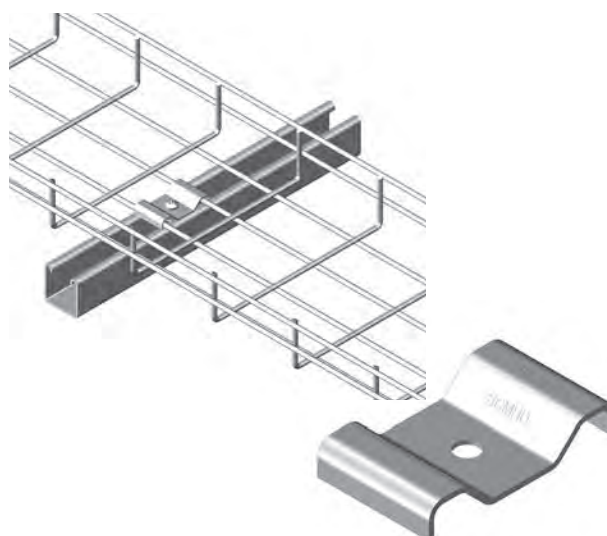
To be used with a 6 mm Pan Head Screw ordering code PS620Z and 6 mm Trunking Nut ordering code B3016Z. Both are sold separately.

Finish:

S - Stainless Steel

H - Hot Dip Galvanised (made to order)

PG - Pregal



Note - Powder coating and special finishes on request against firm orders only and are non returnable.

BCMHD

- CHANNELS 1
- NUTS & BOLTS 2
- CANTILEVER BRACKETS 3
- CHANNEL FITTINGS 4
- LADDERTRAYS 5
- CABLE MESH 6**
- STEEL LADDERS 7
- ALUMINIUM LADDERS 8
- FIRE RATED 9
- COVERS 10
- HYGROUND 11



Earth Straps

Ordering Code	Size	Length	Lug Size
BES6-200	6mm ²	200mm	M8
BES16-300	16mm ²	300mm	M10
BES35-350	35mm ²	350mm	M10
BES35-500	35mm ²	500mm	M10
BES70-500	70mm ²	500mm	M12

Note Lug sizes can be customised on request



Ordering Code BCMCCS

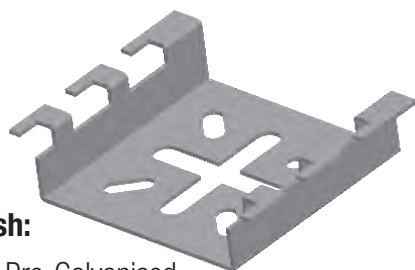
BCMCCS Mesh Cover Clamp



Ordering Code BCMFCC

Used to fasten Burndy Cable Mesh to Burndy Channel. Replaces the traditional 3 components to hold down the mesh and reduces install time to less than 5 seconds. A great labour saving product.

BCMFCC Fast Channel Clip

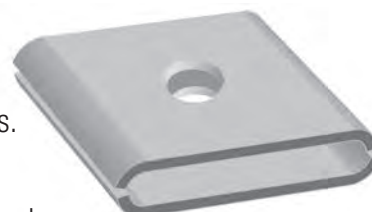


Finish:

PG - Pre-Galvanised

H - Hot Dip Galvanised

BCMUB Universal Bracket



Note Sold in pairs.

Finish:

PG - Pre-Galvanised

H - Hot Dip Galvanised

S - Stainless Steel

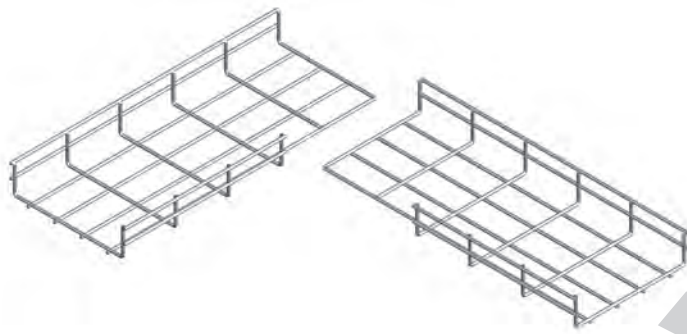
BCMCHD Centre Hold Down Bracket



BCM CU Cutter

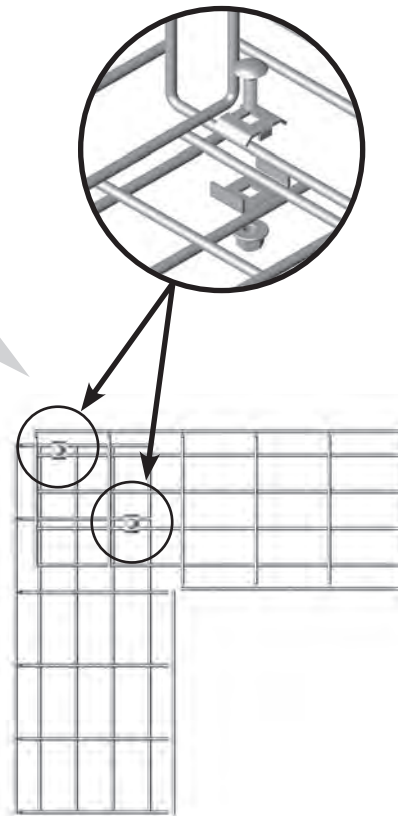


BCMST Fast Lock Splice Assistance Tool

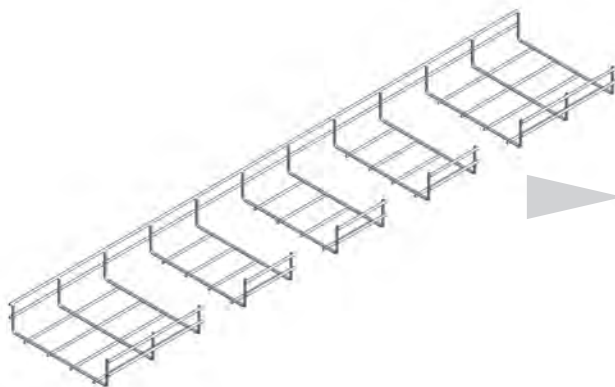


Connector Assembly Number

Nominal Width mm	BCMCP
150	2
300	2
450	3
500	3
600	3

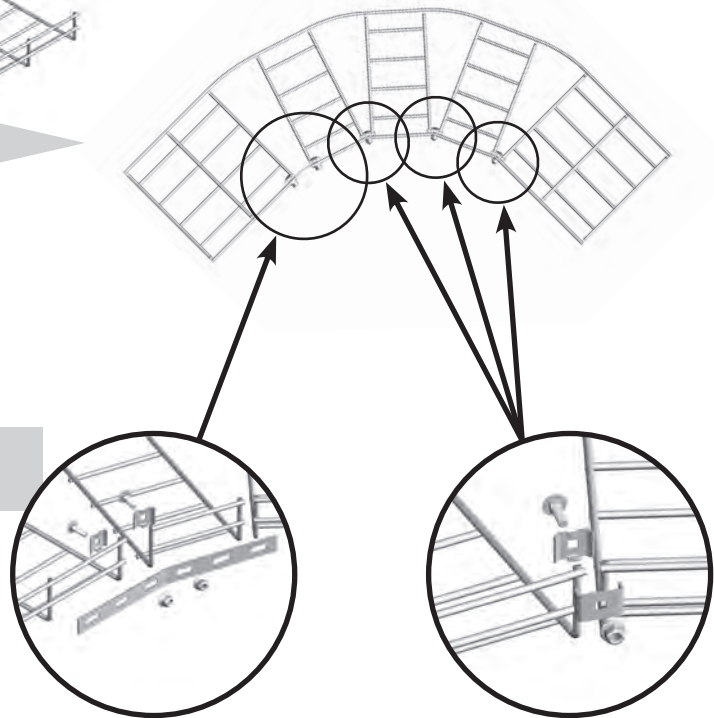


90° Short Bend - Assembled from Two Straight Sections



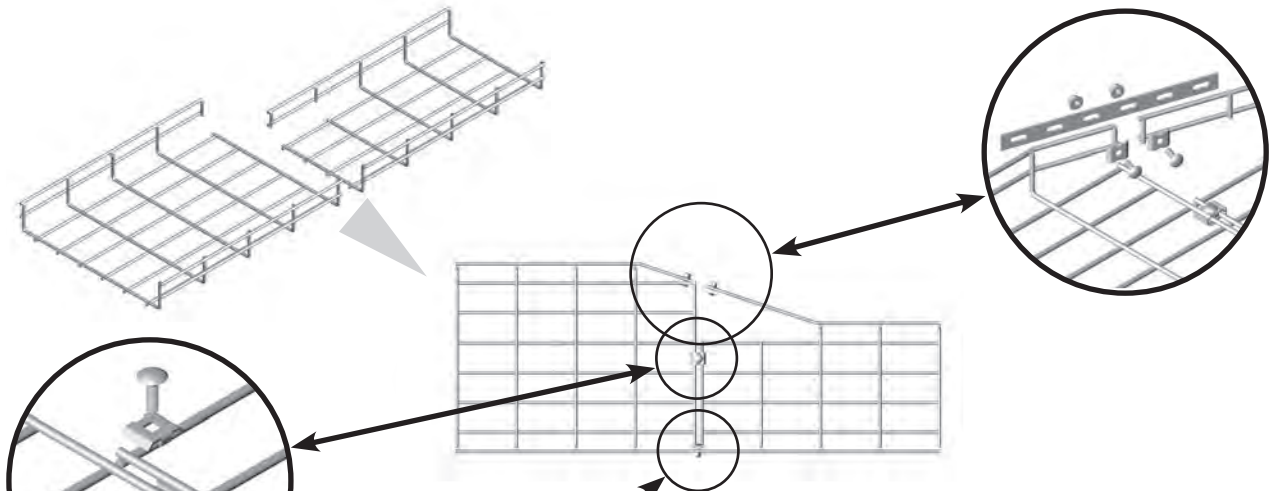
Connector Assembly Number

Nominal Width mm	BCMCP	BCMSB
150	4	1
300	7	1
450	11	1
500	11	1
600	12	1



90° Long Radius Bend

- CHANNELS 1
- NUTS & BOLTS 2
- CANTILEVER BRACKETS 3
- CHANNEL FITTINGS 4
- LADDERTRAYS 5
- CABLE MESH 6
- STEEL LADDERS 7
- ALUMINIUM LADDERS 8
- FIRE RATED 9
- COVERS 10
- HYGROUND 11



Connector Assembly Number

Nominal Width mm	BCMCP	BCMSB
150	4	1
300	5	1
450	5	1
500	5	1
600	5	1

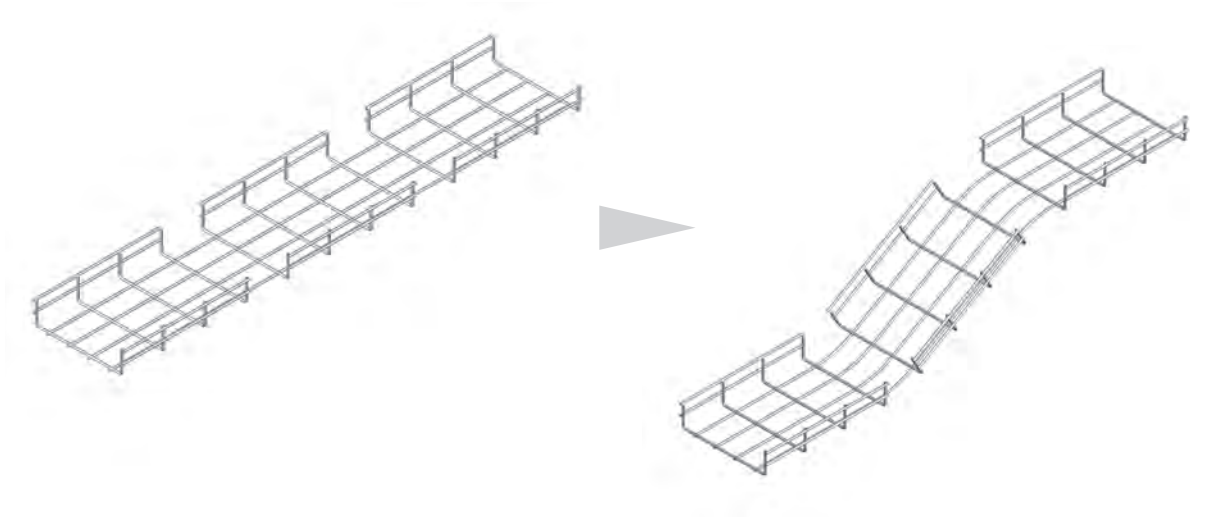
Reducers



Connector Assembly Number

Nominal Width mm	BCMCP
150	2
300	3
450	4
500	4
600	4

Horizontal Tees



Vertical Inside and Outside Bend

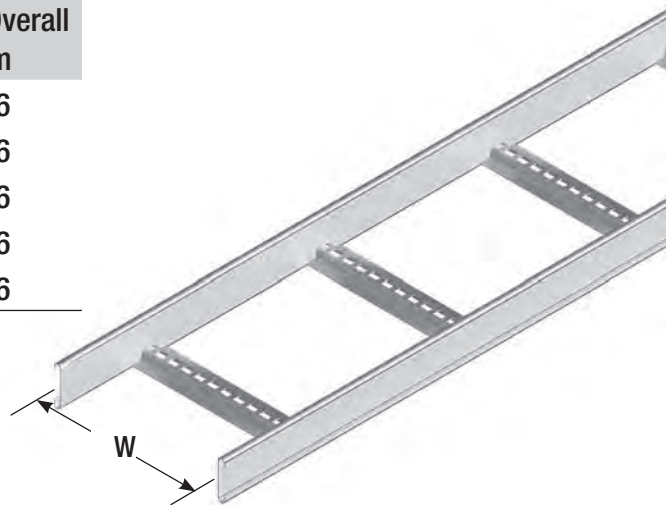
CHANNELS	1
NUTS & BOLTS	2
CANTILEVER BRACKETS	3
CHANNEL FITTINGS	4
LADDERTRAYS	5
CABLE MESH	6
STEEL LADDERS	7
ALUMINIUM LADDERS	8
FIRE RATED	9
COVERS	10
HYGROUND	11

- Specifications**
- Standard Length 6.0 metres.
 - Overall height 75 mm
 - Cable laying depth 60 mm

Surface Finish	Available Finish	Code
	Hot Dip Galvanised	H
	Stainless Steel	S

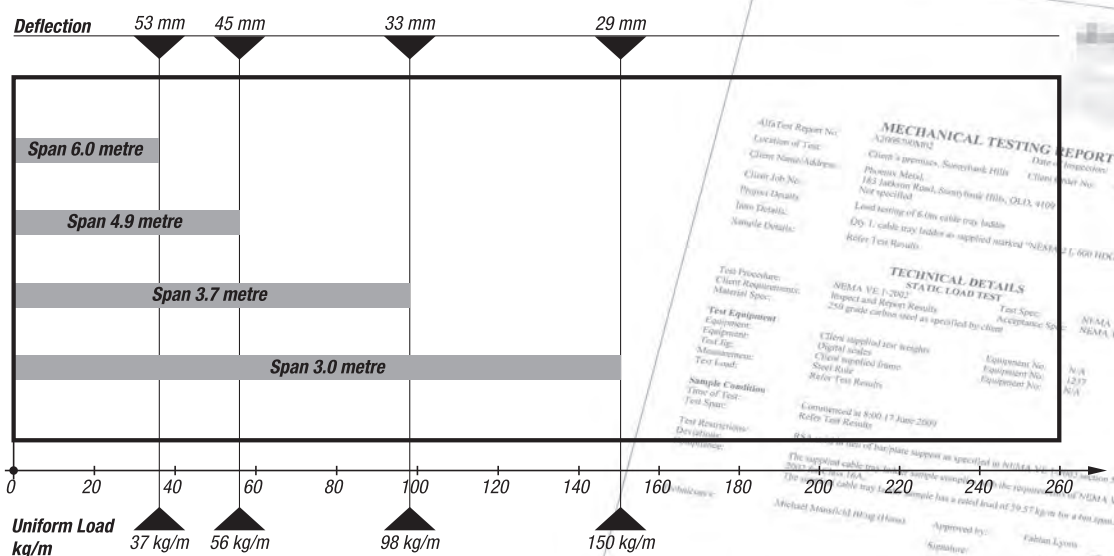
Note - Powder coating and special finishes on request against firm orders only and are non returnable.

Cable Laying Width W mm	Ordering Code	Width Overall mm
150	N1L150H	176
300	N1L300H	326
450	N1L450H	476
600	N1L600H	626
900	N1L900H	926



NEMA 1 Cable Ladder

Load and Deflection - Nema 1 Steel



NEMA 1 Cable Ladder has been tested in accordance with the NEMA requirements by a NATA certified testing facility. The data displayed is based on physical test results of a 600 wide section and may vary for other widths. The Deflections have been provided as a guide based on continuous spans, and cannot be applied to end spans. Data provided assumes that the installation will be carried out in accordance with NEMA VE2, non compliance may affect the overall product performance.

- CHANNELS 1
- NUTS & BOLTS 2
- CANTILEVER BRACKETS 3
- CHANNEL FITTINGS 4
- LADDER TRAYS 5
- CABLE MESH 6
- STEEL LADDERS 7
- ALUMINIUM LADDERS 8
- FIRE RATED 9
- COVERS 10
- HYGROUND 11

Surface Finish

Available Finish

Code

Hot Dip Galvanised

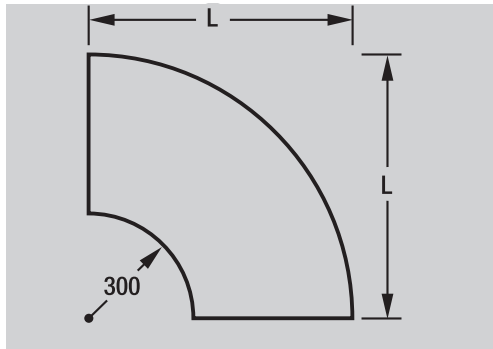
H

Stainless Steel

S

Note

- Non standard radius fittings can be manufactured against firm orders, and are non returnable.
- Powder coating and special finishes on request against firm orders only and are non returnable.

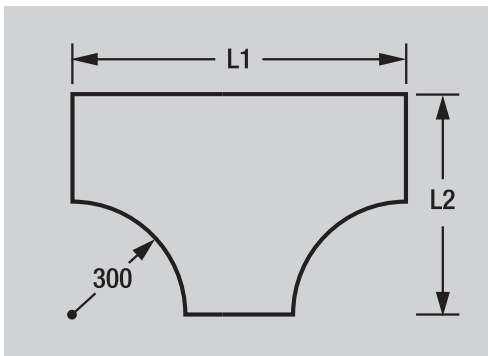


Dimensions do not include integral splice plates. For splice plate, add 100 mm.

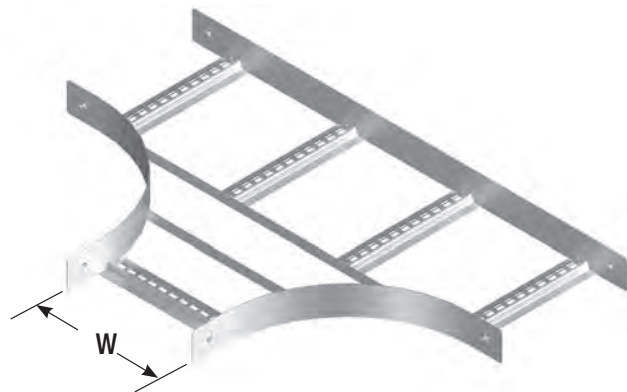


Ordering Code	Width W mm	Length L mm
N1B1503H	150	450
N1B3003H	300	600
N1B4503H	450	750
N1B6003H	600	900
N1B9003H	900	1200

NEMA 1 Cable Ladder - Bend



Dimensions do not include integral splice plates. For splice plate, add 100 mm.



Ordering Code	Width W mm	Length L1 mm	Length L2 mm
N1T1503H	150	750	450
N1T3003H	300	900	600
N1T4503H	450	1050	750
N1T6003H	600	1200	900
N1T9003H	900	1500	1200

NEMA 1 Cable Ladder - Tee

CHANNELS 1

NUTS & BOLTS 2

CANTILEVER BRACKETS 3

CHANNEL FITTINGS 4

LADDERTRAYS 5

CABLE MESH 6

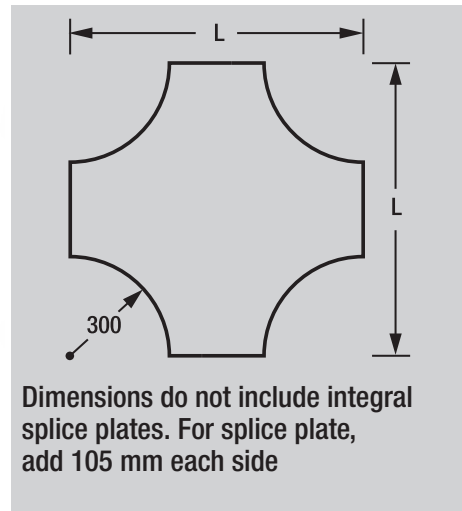
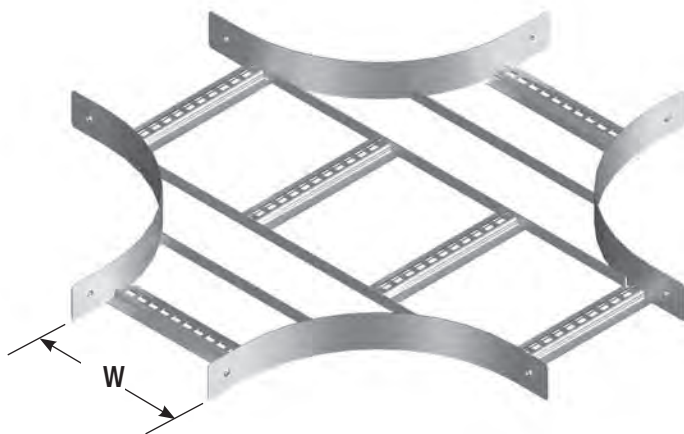
STEEL LADDERS 7

ALUMINIUM LADDERS 8

FIRE RATED 9

COVERS 10

HYGROUND 11



Order fasteners separately for installation.
8 x N1SBH (Part ID) (no nuts) required.

Non standard radius fittings can be manufactured against firm orders, and are non returnable.

Note - Powder coating and special finishes on request against firm orders only and are non returnable.

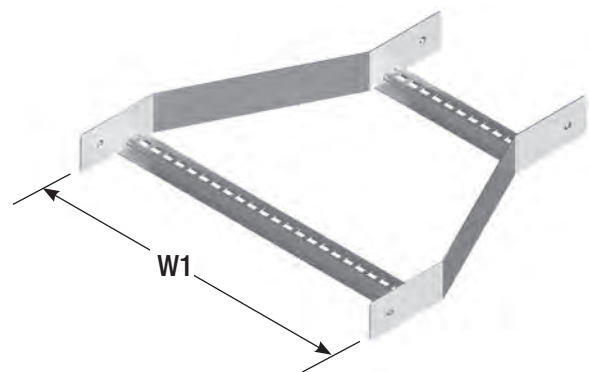
Ordering Code	Width W mm	Length L mm
N1C1503(H/S)	150	750
N1C3003(H/S)	300	900
N1C4503(H/S)	450	1050
N1C6003(H/S)	600	1200
N1C9003(H/S)	900	1500

NEMA 1 Cable Ladder - Cross

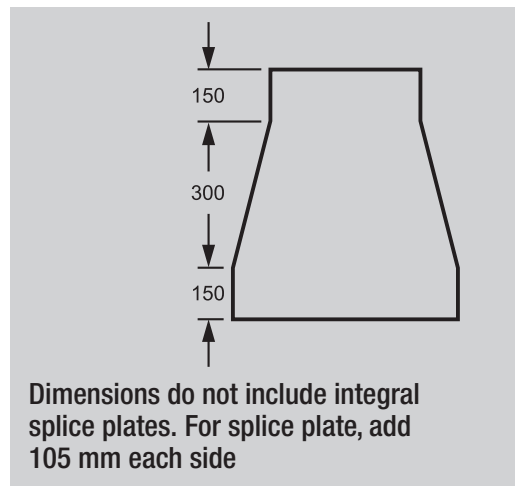
Order fasteners separately for installation.
4 x N1SBH (Part ID) (no nuts) required.

Non standard reducing fittings can be manufactured against firm orders, and are non returnable.

Note - Powder coating and special finishes on request against firm orders only and are non returnable.



Ordering Code	Width W mm	Width W2 mm
N1SR300150(H/S)	300	150
N1SR450150(H/S)	450	150
N1SR450300(H/S)	450	300
N1SR600150(H/S)	600	150
N1SR600300(H/S)	600	300
N1SR600450(H/S)	600	450
N1SR900150(H/S)	900	150
N1SR900300(H/S)	900	300
N1SR900450(H/S)	900	450
N1SR900600(H/S)	900	600



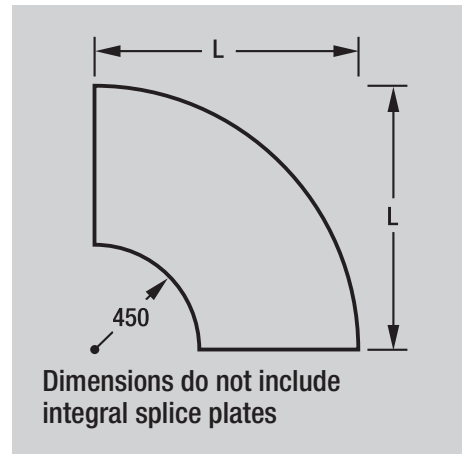
NEMA 1 Cable Ladder - Straight Reducer

- CHANNELS 1
- NUTS & BOLTS 2
- CANTILEVER BRACKETS 3
- CHANNEL FITTINGS 4
- LADDERTRAYS 5
- CABLE MESH 6
- STEEL LADDERS 7
- ALUMINIUM LADDERS 8
- FIRE RATED 9
- COVERS 10
- HYGROUND 11

Order fasteners separately for installation.
8 x Splice Bolts (SBH) & 8 x Splice Nuts (SNH) required.

Non standard radius fittings can be manufactured against firm orders, and are non returnable.

- Note**
- Stainless steel products are manufactured against firm orders only and are non returnable.
 - Powder coating and special finishes on request against firm orders only and are non returnable.



Ordering Code	Width W mm	Length L mm
N2B1504-	150	600
N2B3004-	300	750
N2B4504-	450	900
N2B6004-	600	1050
N2B9004-	900	1350

- H Hot Dip Galvansied
- └ S Stainless Steel

NEMA 2 Cable Ladder - Bend

CHANNELS 1

NUTS & BOLTS 2

CANTILEVER BRACKETS 3

CHANNEL FITTINGS 4

LADDERTRAYS 5

CABLE MESH 6

STEEL LADDERS 7

ALUMINIUM LADDERS 8

FIRE RATED 9

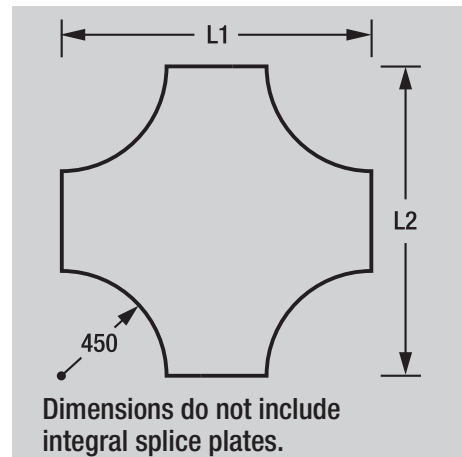
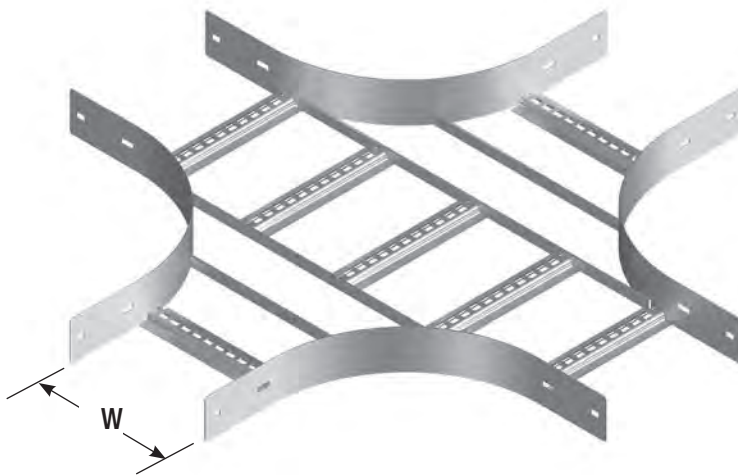
COVERS 10

HYGROUND 11

Order fasteners separately for installation.
16 x Splice Bolts (SBH) & 16 x Splice Nuts (SNH) required.

Non standard radius fittings can be manufactured against firm orders, and are non returnable.

- Note**
- Stainless steel products are manufactured against firm orders only and are non returnable.
 - Powder coating and special finishes on request against firm orders only and are non returnable.



Ordering Code	Width W mm	Length L mm	Length L2 mm
N2C1504-	150	1050	1050
N2C3004-	300	1200	1200
N2C4504-	450	1350	1350
N2C6004-	600	1500	1500
N2C9004-	900	1800	1800

- H Hot Dip Galvansied
- S Stainless Steel

NEMA 2 Cable Ladder - Cross

CHANNELS 1

NUTS & BOLTS 2

CANTILEVER BRACKETS 3

CHANNEL FITTINGS 4

LADDERTRAYS 5

CABLE MESH 6

STEEL LADDERS 7

ALUMINIUM LADDERS 8

FIRE RATED 9

COVERS 10

HYGROUND 11



Earth Straps

Ordering Code	Size	Length	Lug Size
BES6-200	6mm ²	200mm	M8
BES16-300	16mm ²	300mm	M10
BES35-350	35mm ²	350mm	M10
BES35-500	35mm ²	500mm	M10
BES70-500	70mm ²	500mm	M12

Note Lug sizes can be customised on request

NEMA 4 NEMA 4

- CHANNELS 1
- NUTS & BOLTS 2
- CANTILEVER BRACKETS 3
- CHANNEL FITTINGS 4
- LADDERTRAYS 5
- CABLE MESH 6
- STEEL LADDERS 7**
- ALUMINIUM LADDERS 8
- FIRE RATED 9
- COVERS 10
- HYGROUND 11

Ordering Code N2SA

Note Order splice bolts & nuts separately, SBS and SNS.
Splice plate can be supplied complete with SBS and SNS (ordering code N2SKA)



NEMA 2 Splice Plate - Aluminium

Ordering Code N2VSA

Note Order splice bolts & nuts separately, SBS and SNS.
Splice plate can be supplied complete with SBS and SNS (ordering code N2VSKA)



NEMA 2 Vertical Splice Plate - Aluminium

Ordering Code N2HSA

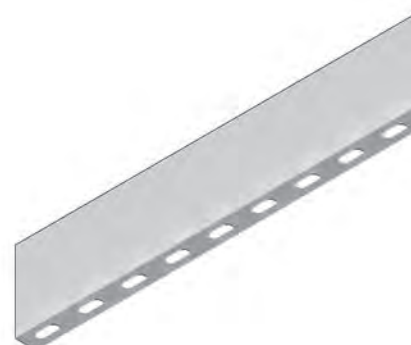
Note Order splice bolts & nuts separately, SBS and SNS.
Splice plate can be supplied complete with SBS and SNS (ordering code N2HSKA)



NEMA 2 Horizontal Splice Plate - Aluminium

Ordering Code DSN2A

Note Order B3016 and PS620 separately for installation.



NEMA 2 Divider Strip - Aluminium

NEMA 2 ALUMINIUM NEMA 2 ALUMINIUM NEMA 2 ALUMINIUM NEMA 2 ALUMINIUM NEMA 2 ALUMINIUM NEMA 2 ALUMINIUM NEMA 2 ALUMINIUM NEMA 2 ALUMINIUM NEMA 2 ALUMINIUM NEMA 2 ALUMINIUM

Specifications

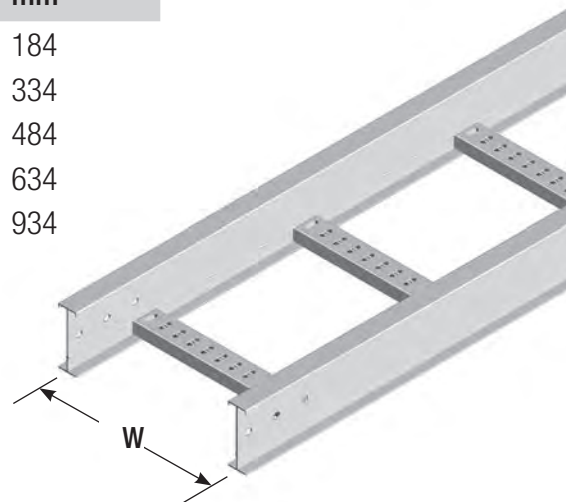
- Standard Length 6.0 metres.
- Overall height 120 mm
- Cable laying depth 95 mm

Note

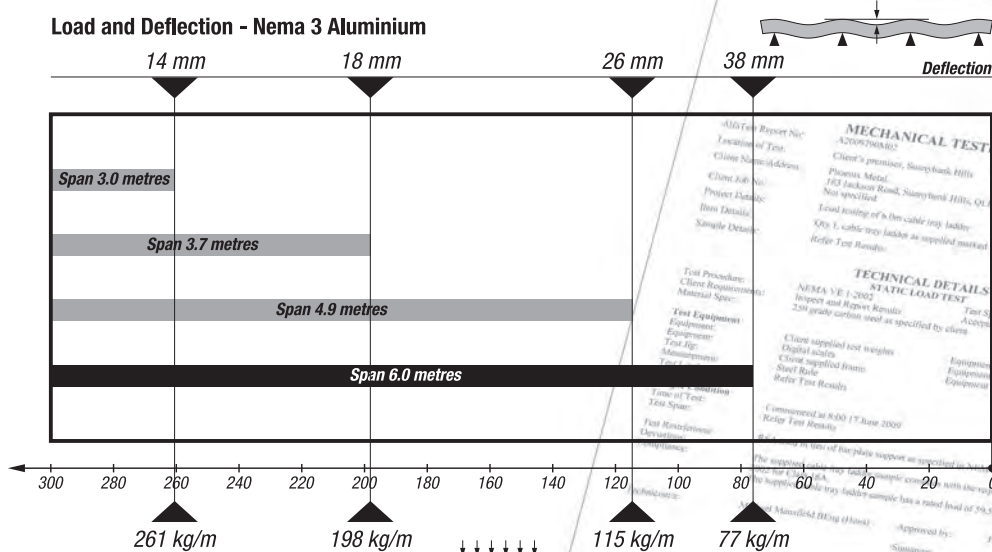
returnable.

- Aluminium products are manufactured against firm orders only and are non

Ordering Code	Cable Laying Width W mm	Width Overall mm
N3L150A	150	184
N3L300A	300	334
N3L450A	450	484
N3L600A	600	634
N3L900A	900	934



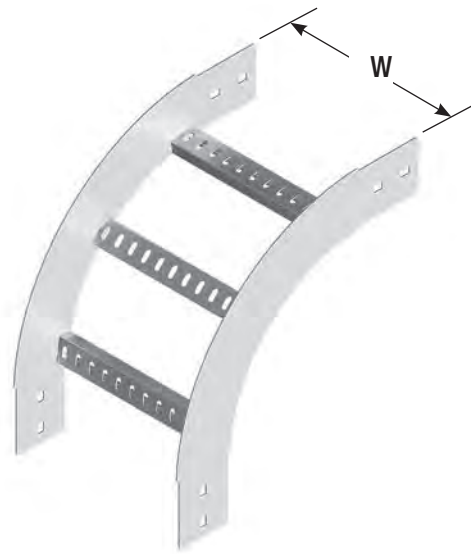
NEMA 3 Cable Ladder - Aluminium



NEMA 3 Cable Ladder has been tested in accordance with the NEMA requirements by a NATA certified testing facility. The data displayed is based on physical test results of a 600 wide section and may vary for other widths. The Deflections have been provided as a guide based on continuous spans and cannot be applied to end spans. Data provided assumes that the installation will be carried out in accordance with NEMA VE2. Non compliance may affect the overall product performance.

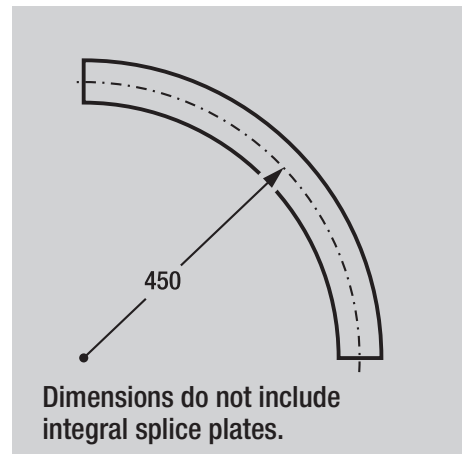
NEMA 3 ALUMINIUM NEMA 3 ALUMINIUM NEMA 3 ALUMINIUM NEMA 3 ALUMINIUM NEMA 3 ALUMINIUM NEMA 3 ALUMINIUM NEMA 3 ALUMINIUM NEMA 3 ALUMINIUM NEMA 3 ALUMINIUM NEMA 3 ALUMINIUM NEMA 3 ALUMINIUM NEMA 3 ALUMINIUM

- 1 CHANNELS
- 2 NUTS & BOLTS
- 3 CANTILEVER BRACKETS
- 4 CHANNEL FITTINGS
- 5 LADDERTRAYS
- 6 CABLE MESH
- 7 STEEL LADDERS
- 8 ALUMINIUM LADDERS
- 9 FIRE RATED
- 10 COVERS
- 11 HYGROUND



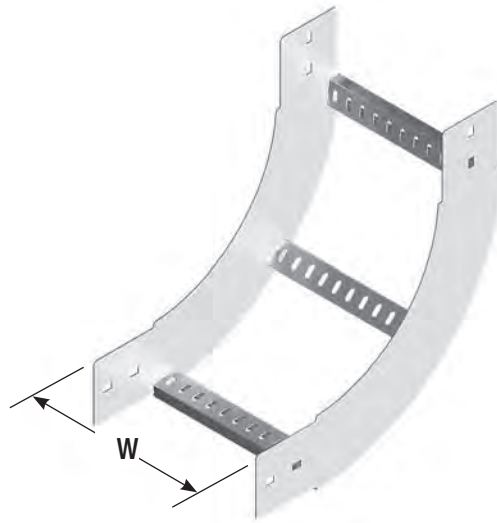
Order fasteners separately for installation.
8 x Splice Bolts (SBS) & 8 x Splice Nuts (SNS) required.

All aluminium Cable Ladder Fittings are manufactured against firm orders only, and are non returnable.



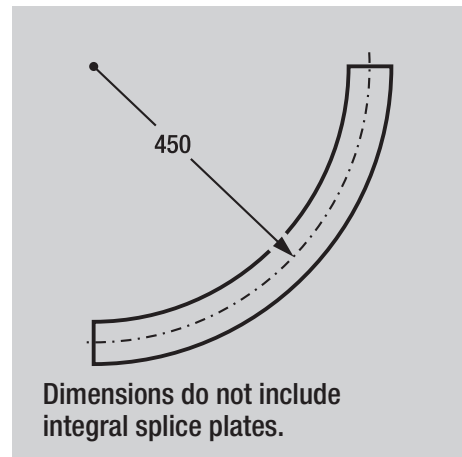
Ordering Code	Width W mm
N3ER1504A	150
N3ER3004A	300
N3ER4504A	450
N3ER6004A	600
N3ER9004A	900

NEMA 3 Cable Ladder - External Riser - Aluminium



Order fasteners separately for installation.
8 x Splice Bolts (SBS) & 8 x Splice Nuts (SNS) required.

All aluminium Cable Ladder Fittings are manufactured against firm orders only, and are non returnable.

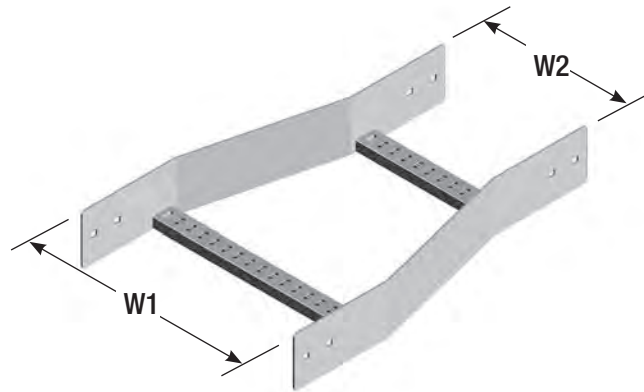


Ordering Code	Width W mm
N3IR1504A	150
N3IR3004A	300
N3IR4504A	450
N3IR6004A	600
N3IR9004A	900

NEMA 3 Cable Ladder - Internal Riser - Aluminium

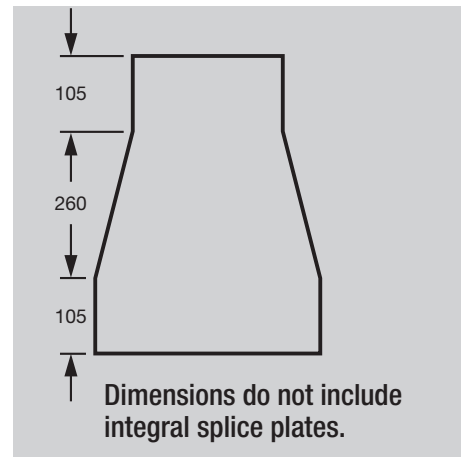
- CHANNELS 1
- NUTS & BOLTS 2
- CANTILEVER BRACKETS 3
- CHANNEL FITTINGS 4
- LADDERTRAYS 5
- CABLE MESH 6
- STEEL LADDERS 7
- ALUMINIUM LADDERS 8**
- FIRE RATED 9
- COVERS 10
- HYGROUND 11

NEMA 3 ALUMINIUM NEMA 3 ALUMINIUM NEMA 3 ALUMINIUM NEMA 3 ALUMINIUM NEMA 3 ALUMINIUM NEMA 3 ALUMINIUM NEMA 3 ALUMINIUM NEMA 3 ALUMINIUM NEMA 3 ALUMINIUM NEMA 3 ALUMINIUM



Order fasteners separately for installation.
8 x Splice Bolts (SBS) & 8 x Splice Nuts (SNS) required.

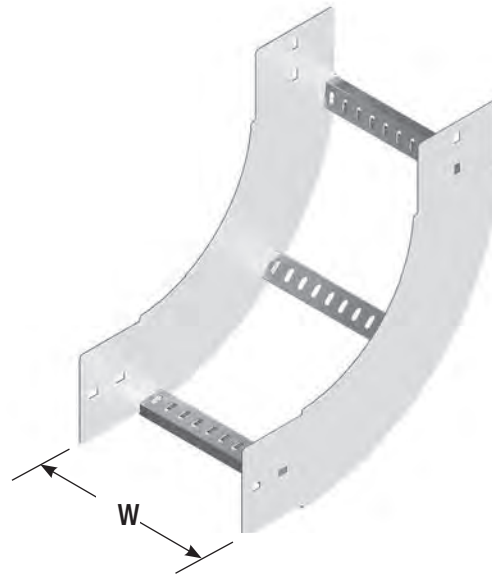
All aluminium Cable Ladder Fittings are manufactured against firm orders only, and are non returnable.



Ordering Code	Width W mm	Width W2 mm
N3SR300150A	300	150
N3SR450150A	450	150
N3SR450300A	450	300
N3SR600150A	600	150
N3SR600300A	600	300
N3SR600450A	600	450
N3SR900150A	900	150
N3SR900300A	900	300
N3SR900450A	900	450
N3SR900600A	900	600

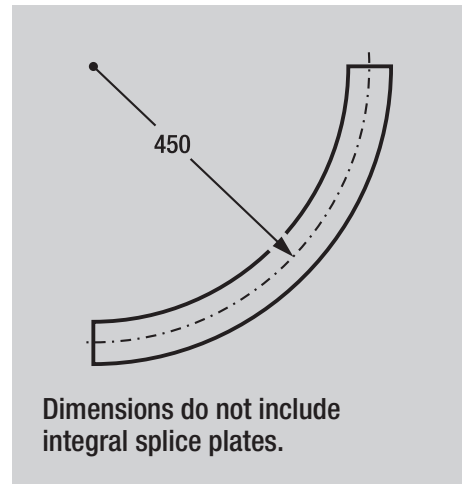
NEMA 3 Cable Ladder - Straight Reducer - Aluminium

- CHANNELS 1
- NUTS & BOLTS 2
- CANTILEVER BRACKETS 3
- CHANNEL FITTINGS 4
- LADDERTRAYS 5
- CABLE MESH 6
- STEEL LADDERS 7
- ALUMINIUM LADDERS 8**
- FIRE RATED 9
- COVERS 10
- HYGROUND 11



Order fasteners separately for installation.
8 x Splice Bolts (SBS) & 8 x Splice Nuts (SNS) required.

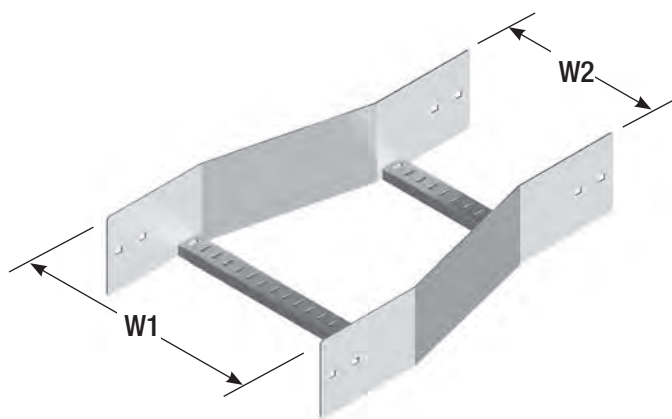
All aluminium Cable Ladder Fittings are manufactured against firm orders only, and are non returnable.



Ordering Code	Width W mm
N4IR1504A	150
N4IR3004A	300
N4IR4504A	450
N4IR6004A	600
N4IR9004A	900

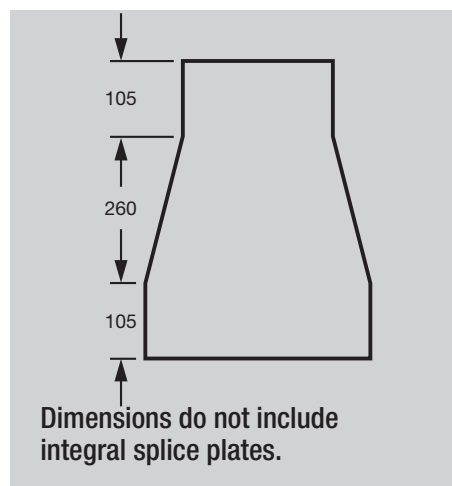
- CHANNELS 1
- NUTS & BOLTS 2
- CANTILEVER BRACKETS 3
- CHANNEL FITTINGS 4
- LADDERTRAYS 5
- CABLE MESH 6
- STEEL LADDERS 7
- ALUMINIUM LADDERS 8**
- FIRE RATED 9
- COVERS 10
- HYGROUND 11

NEMA 4 Cable Ladder - Internal Riser - Aluminium



Order fasteners separately for installation.
8 x Splice Bolts (SBS) & 8 x Splice Nuts (SNS) required.

All aluminium cable ladder fittings are manufactured against firm orders and are non returnable.



Ordering Code	Width W1 mm	Width W2 mm
N4SR300150A	300	150
N4SR450150A	450	150
N4SR450300A	450	300
N4SR600150A	600	150
N4SR600300A	600	300
N4SR600450A	600	450
N4SR900150A	900	150
N4SR900300A	900	300
N4SR900450A	900	450
N4SR900600A	900	600

NEMA 4 Cable Ladder - Straight Reducer - Aluminium

- CHANNELS 1
- NUTS & BOLTS 2
- CANTILEVER BRACKETS 3
- CHANNEL FITTINGS 4
- LADDERTRAYS 5
- CABLE MESH 6
- STEEL LADDERS 7
- ALUMINIUM LADDERS 8**
- FIRE RATED 9
- COVERS 10
- HYGROUND 11

CHANNELS	1
NUTS & BOLTS	2
CANTILEVER BRACKETS	3
CHANNEL FITTINGS	4
LADDERTRAYS	5
CABLE MESH	6
STEEL LADDERS	7
ALUMINIUM LADDERS	8
FIRE RATED	9
COVERS	10
HYGROUND	11

Order fasteners separately for installation.
8 x Splice Bolts (SBH) & 8 x Splice Nuts (SNH) required.

Non standard radius fittings can be manufactured against firm orders, and are non returnable.

- Note**
- Stainless steel products are manufactured against firm orders only and are non returnable.
 - Powder coating and special finishes on request against firm orders only and are non returnable.

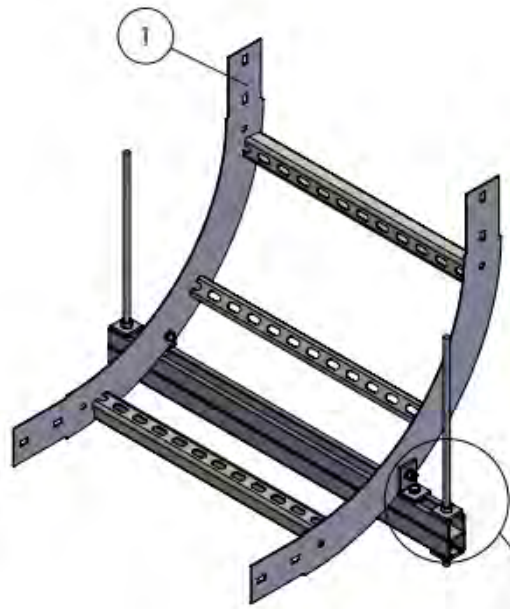
Surface Finish	Available Finish
	Hot Dip Galvanised to AS/NZ 4680:2006
	Stainless Steel Gr316 Passivated Finish

The Fire Rated System complies with **Australian and New Zealand Standard AS/NZ 3013:2005 Classification WS5X**. It is designed and tested to achieve 2 hour fire rating at 1050 deg. Centigrade.

ORDERING CODE INTERNAL

N2IR1504FR_
N2IR3004FR_
N2IR4504FR_
N2IR6004FR_

- H Hot Dip Galvanised
- └ S Stainless Steel



ADDITIONAL ITEMS REQUIRED

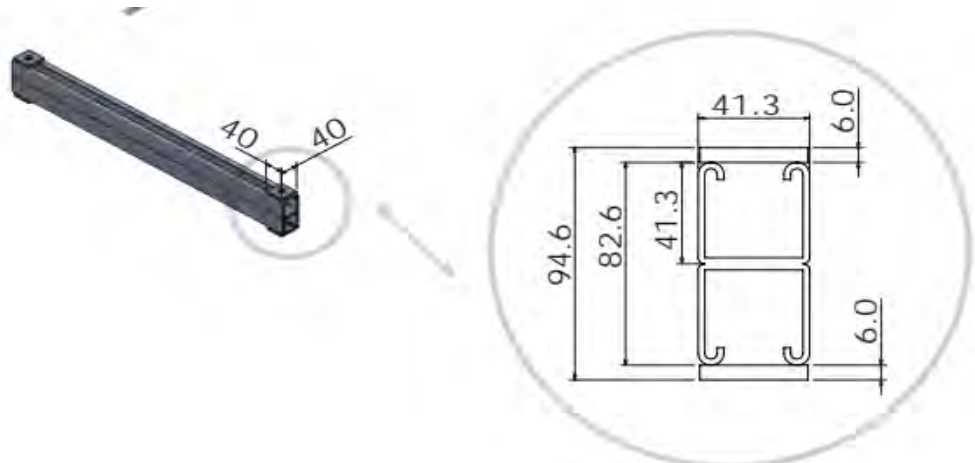
4x HN12_
2x B1068_
4x HS1030_
2x SW10_
2x HN10_
2x FW10_
2x B1008_
TR12_ (Qty determined by drop)

- H Hot Dip Galvanised
- └ S Stainless Steel

TRAPEZES REQUIRED

TS150FR_
TS300FR_
TS450FR_
TS600FR_

- H Hot Dip Galvanised
- └ S Stainless Steel



Order fasteners separately for installation.
8 x Splice Bolts (SBH) & 8 x Splice Nuts (SNH) required.

Non standard radius fittings can be manufactured against firm orders, and are non returnable.

- Note**
- Stainless steel products are manufactured against firm orders only and are non returnable.
 - Powder coating and special finishes on request against firm orders only and are non returnable.

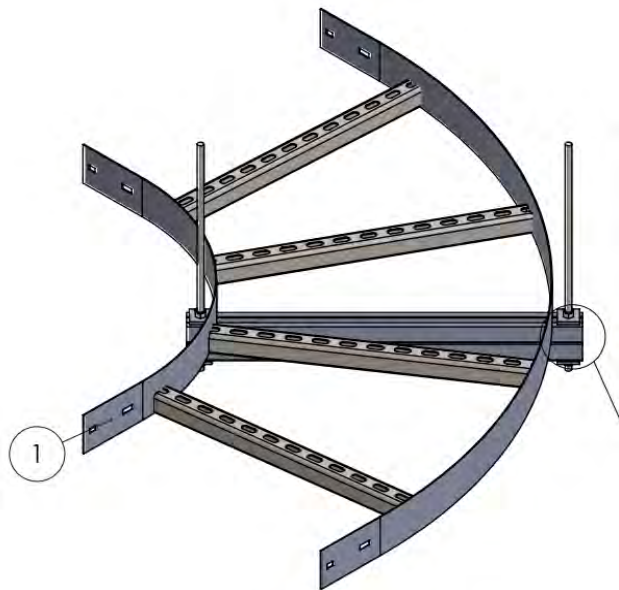
Surface Finish	Available Finish
	Hot Dip Galvanised to AS/NZ 4680:2006
	Stainless Steel Gr316 Passivated Finish

The Fire Rated System complies with **Australian and New Zealand Standard AS/NZ 3013:2005 Classification WS5X**. It is designed and tested to achieve 2 hour fire rating at 1050 deg. Centigrade.

ORDERING CODE

- N2B1504FR_
- N2B3004FR_
- N2B4504FH_
- N2B6004FR_

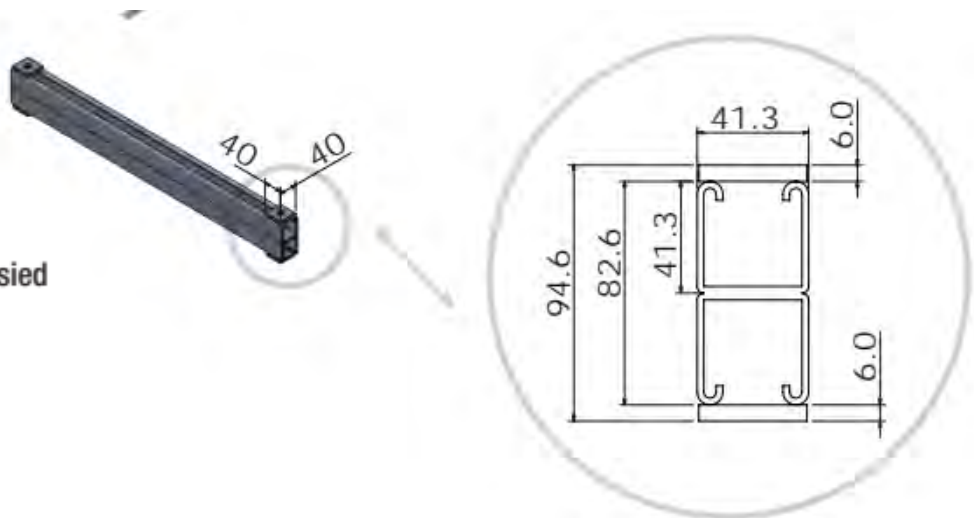
- H Hot Dip Galvanised
- S Stainless Steel



TRAPEZES REQUIRED

- TS150FR_
- TS300FR_
- TS450FR_
- TS600FR_

- H Hot Dip Galvanised
- S Stainless Steel



ADDITIONAL ITEMS

- 4xHN12_
- TR12_

- H Hot Dip Galvanised
- S Stainless Steel

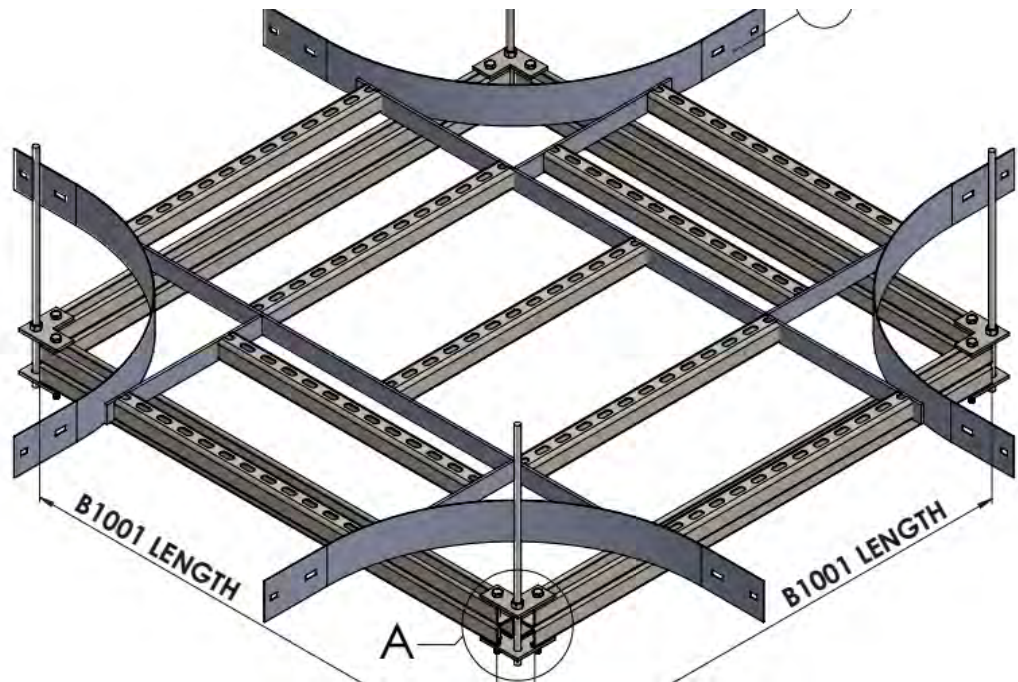
Order fasteners separately for installation.
16 x Splice Bolts (SBH) & 16 x Splice Nuts (SNH) required.

Non standard radius fittings can be manufactured against firm orders, and are non returnable.

- Note**
- Stainless steel products are manufactured against firm orders only and are non returnable.
 - Powder coating and special finishes on request against firm orders only and are non returnable.

Surface Finish	Available Finish
	Hot Dip Galvanised to AS/NZ 4680:2006
	Stainless Steel Gr316 Passivated Finish

The Fire Rated System complies with **Australian and New Zealand Standard AS/NZ 3013:2005 Classification WS5X**. It is designed and tested to achieve 2 hour fire rating at 1050 deg. Centigrade.



ORDERING CODE

- N2C1504FR_
- N2C3004FR_
- N2C4504FR_
- N2C6004FR_

● H Hot Dip Galvansied
└ S Stainless Steel

ADDITIONAL ITEMS REQUIRED

- TR12 _ (Qty determined by drop)
- 8x HN12_
- 8x B1036_
- 8x HS1020_
- 8x SW10_
- 8x HN10_
- 4x B1001_ (length required based on size of cross)

● H Hot Dip Galvansied
└ S Stainless Steel

B1001 CUT SIZES

- B1001_650
- B1001_800
- B1001_950
- B1001_950
- B1001_1100

● H Hot Dip Galvansied
└ S Stainless Steel

Order fasteners separately for installation.
8 x Splice Bolts (SBH) & 8 x Splice Nuts (SNH) required.

Non standard radius fittings can be manufactured against firm orders, and are non returnable.

- Note**
- Stainless steel products are manufactured against firm orders only and are non returnable.
 - Powder coating and special finishes on request against firm orders only and are non returnable.

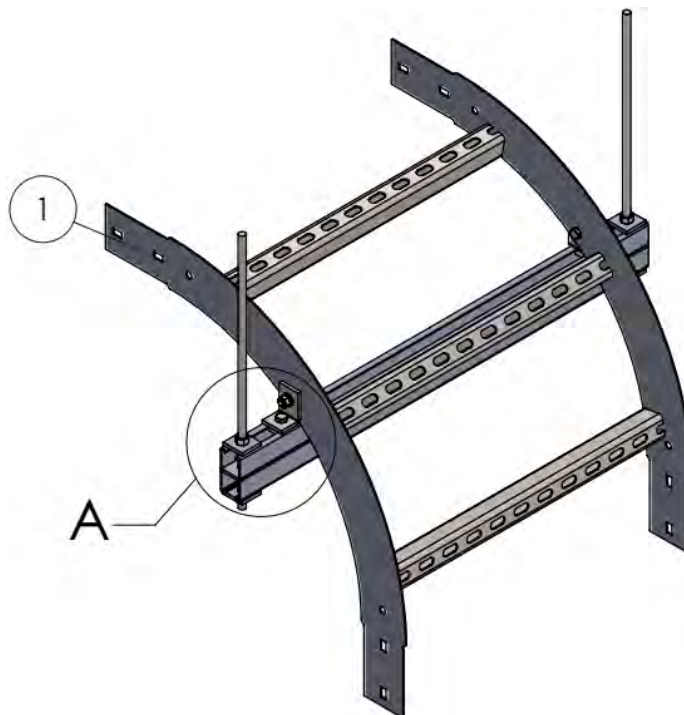
Surface Finish	Available Finish
	Hot Dip Galvanised to AS/NZ 4680:2006
	Stainless Steel Gr316 Passivated Finish

The Fire Rated System complies with **Australian and New Zealand Standard AS/NZ 3013:2005 Classification WS5X**. It is designed and tested to achieve 2 hour fire rating at 1050 deg. Centigrade.

ORDERING CODE EXTERNAL

N2ER1504FR_
N2ER3004FR_
N2ER4504FH_
N2ER6004FR_

● H Hot Dip Galvansied
— S Stainless Steel



ADDITIONAL ITEMS REQUIRED

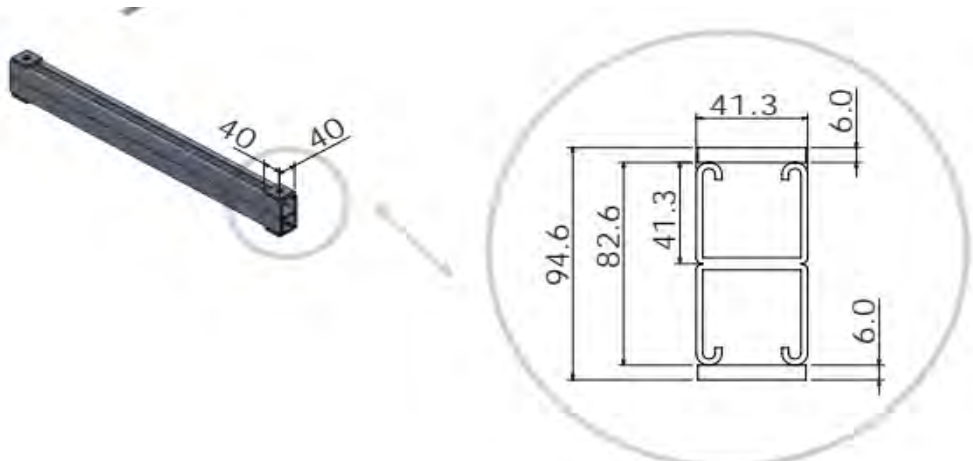
4x HN12_
2x B1068_
4x HS1030_
2x SW10_
2x HN10_
2x FW10_
2x B1008_
TR12_ (Qty determined by drop)

● H Hot Dip Galvansied
— S Stainless Steel

TRAPEZES REQUIRED

TS150FR_
TS300FR_
TS450FR_
TS600FR_

● H Hot Dip Galvansied
— S Stainless Steel



Order fasteners separately for installation.
12 x Splice Bolts (SBH) & 12 x Splice Nuts (SNH) required.

Non standard radius fittings can be manufactured against firm orders, and are non returnable.

- Note**
- Stainless steel products are manufactured against firm orders only and are non returnable.
 - Powder coating and special finishes on request against firm orders only and are non returnable.

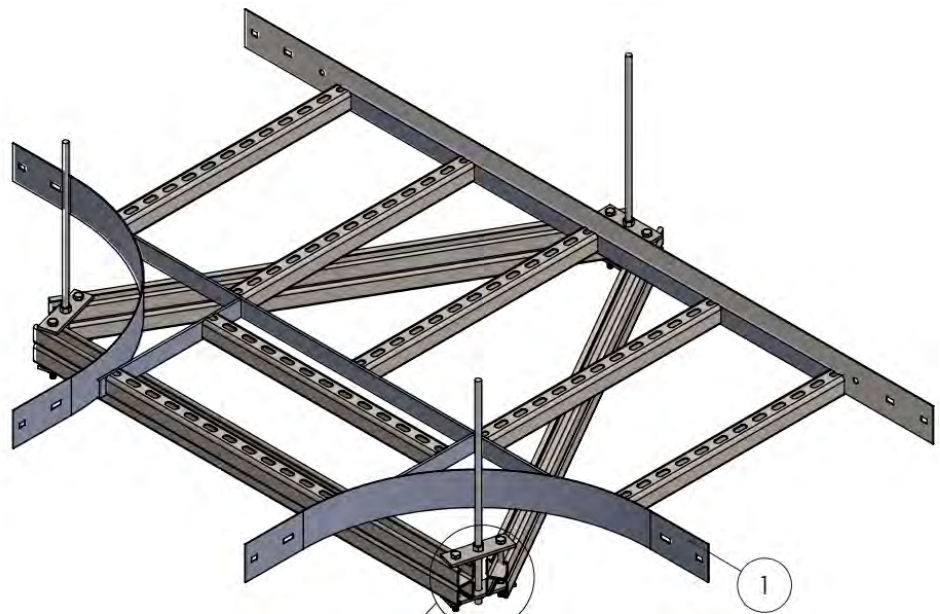
Surface Finish	Available Finish
	Hot Dip Galvanised to AS/NZ 4680:2006
	Stainless Steel Gr316 Passivated Finish

The Fire Rated System complies with **Australian and New Zealand Standard AS/NZ 3013:2005 Classification WS5X**. It is designed and tested to achieve 2 hour fire rating at 1050 deg. Centigrade.

ORDERING CODE

N2T1504FR_
N2T3004FR_
N2T4504FR_
N2T6004FR_

- H Hot Dip Galvansied
- └ S Stainless Steel



ADDITIONAL ITEMS REQUIRED

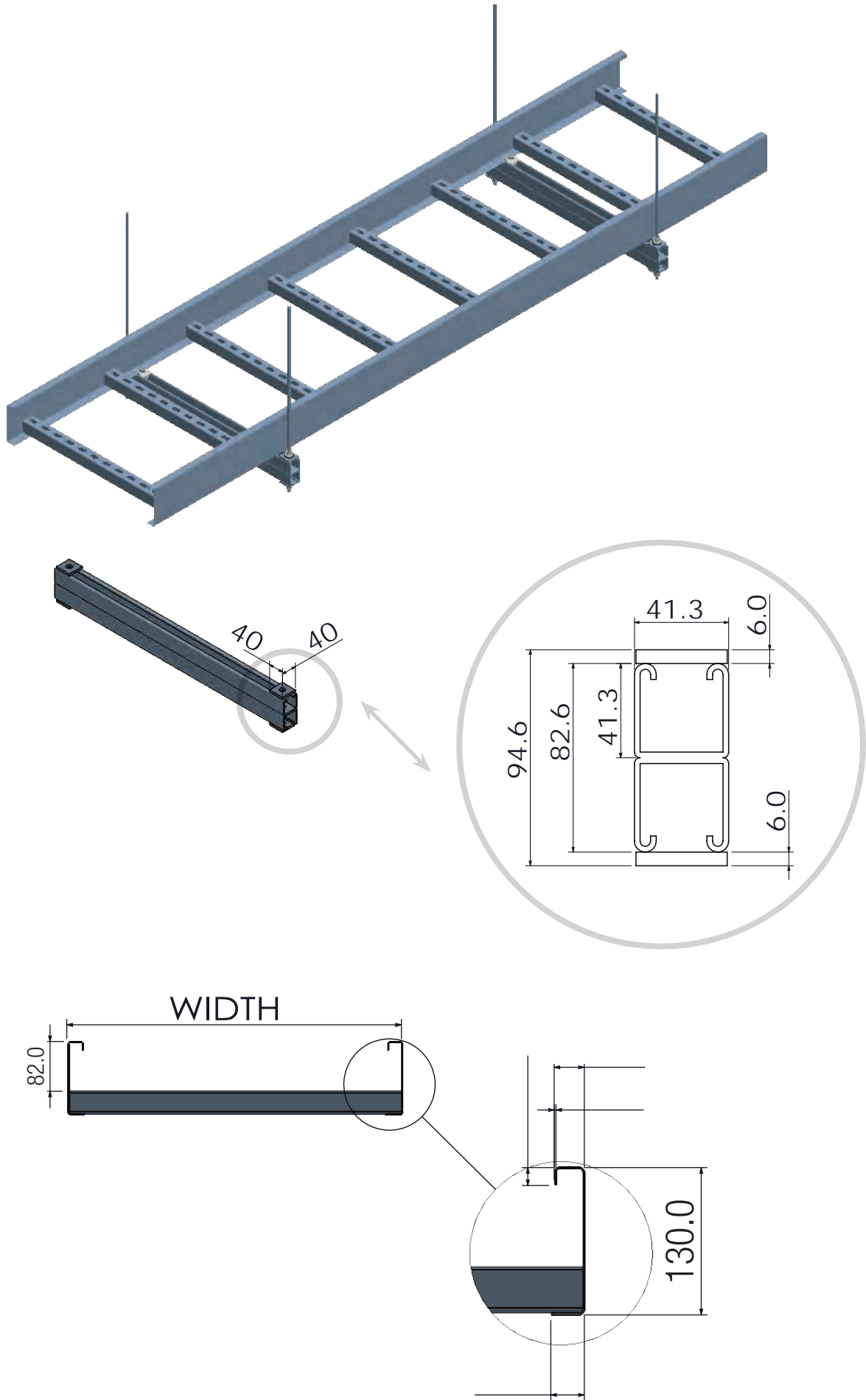
TR12_ (Qty determined by drop)
6x HN12_
6x B1066_
6x HS1020_
6x SW10_
6x HN10_
3x B1001_ (Length required based on tee size)

- H Hot Dip Galvansied
- └ S Stainless Steel

B1001 CUT SIZES

B1001_650
B1001_800
B1001_950
B1001_950
B1001_1100

- H Hot Dip Galvansied
- └ S Stainless Steel



NEMA 3 NEMA 3

11	HYGROUND
10	COVERS
9	FIRE RATED
8	ALUMINIUM LADDERS
7	STEEL LADDERS
6	CABLE MESH
5	LADDERTRAYS
4	CHANNEL FITTINGS
3	CANTILEVER BRACKETS
2	NUTS & BOLTS
1	CHANNELS

Order fasteners separately for installation.
16 x Splice Bolts (SBH) & 16 x Splice Nuts (SNH) required.

Non standard radius fittings can be manufactured against firm orders, and are non returnable.

Note

- Powder coating and special finishes on request against firm orders only and are non returnable.

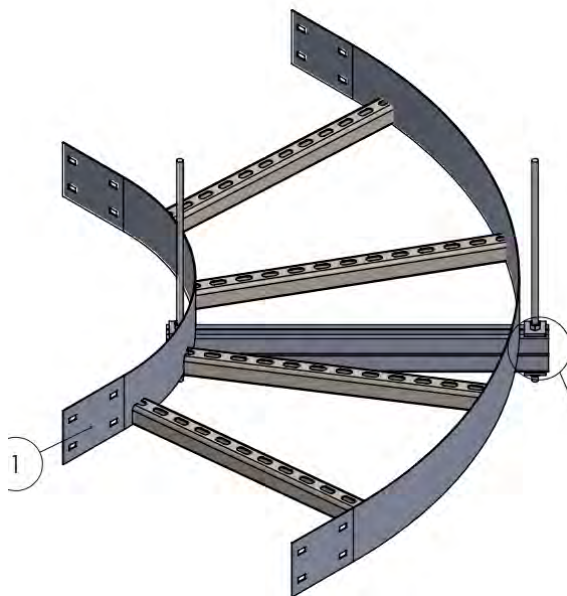
Surface Finish**Available Finish**

Hot Dip Galvanised to AS/NZ 4680:2006

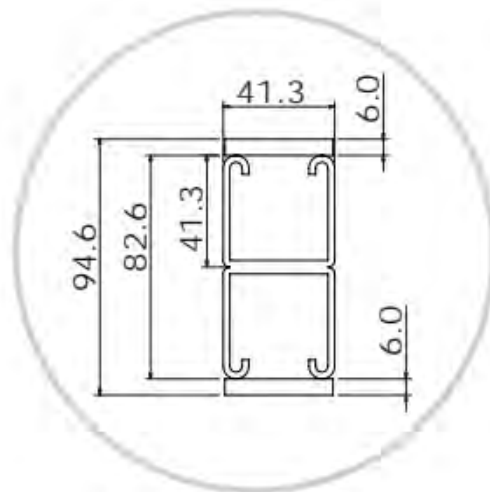
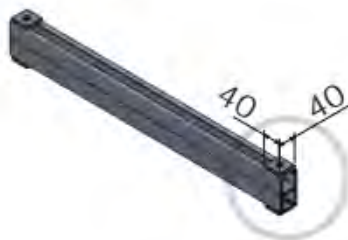
The Fire Rated System complies with **Australian and New Zealand Standard AS/NZ 3013:2005 Classification WS5X**. It is designed and tested to achieve 2 hour fire rating at 1050 deg. Centigrade.

ORDERING CODE

N3B1504FRH
N3B3004FRH
N3B4504FRH
N3B6004FRH

**TRAPEZES REQUIRED**

TS150FRH
TS300FRH
TS450FRH
TS600FRH

**ADDITIONAL ITEMS**

TR12H (Qty determined by drop)
4xHN12H

Order fasteners separately for installation.
32 x Splice Bolts (SBH) & 32 x Splice Nuts (SNH) required.

Non standard radius fittings can be manufactured against firm orders, and are non returnable.

Note

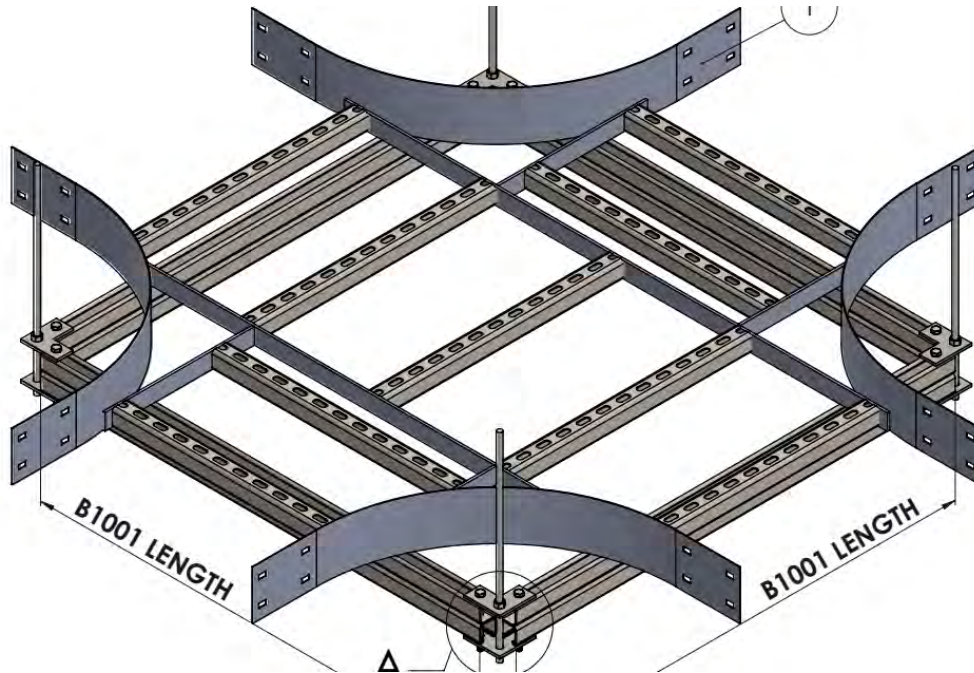
- Powder coating and special finishes on request against firm orders only and are non returnable.

Surface Finish

Available Finish

Hot Dip Galvanised to AS/NZ 4680:2006

The Fire Rated System complies with **Australian and New Zealand Standard AS/NZ 3013:2005 Classification WS5X**. It is designed and tested to achieve 2 hour fire rating at 1050 deg. Centigrade.



ORDERING CODE

- N3C1504FRH
- N3C3004FRH
- N3C4504FRH
- N3C6004FRH

B1001 CUT SIZES

- B1001H650
- B1001H800
- B1001H950
- B1001H950
- B1001H1100

ADDITIONAL ITEMS REQUIRED

- TR12H (Qty determined by drop)
- 8x HN12H
- 8x B1036H
- 8x HS1020H
- 8x SW10H
- 8x HN10H
- 4x B1001H(length required based on size of cross)

Order fasteners separately for installation.
16 x Splice Bolts (SBH) & 16 x Splice Nuts (SNH) required.

Non standard radius fittings can be manufactured against firm orders, and are non returnable.

Note

- Powder coating and special finishes on request against firm orders only and are non returnable.

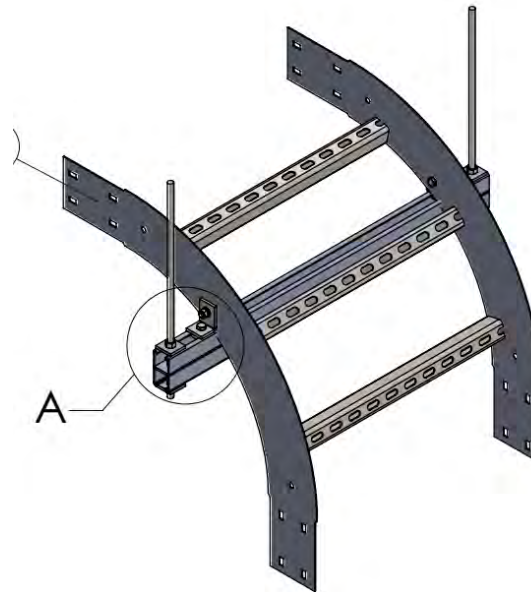
Surface Finish**Available Finish**

Hot Dip Galvanised to AS/NZ 4680:2006

The Fire Rated System complies with **Australian and New Zealand Standard AS/NZ 3013:2005 Classification WS5X**. It is designed and tested to achieve 2 hour fire rating at 1050 deg. Centigrade.

ORDERING CODE

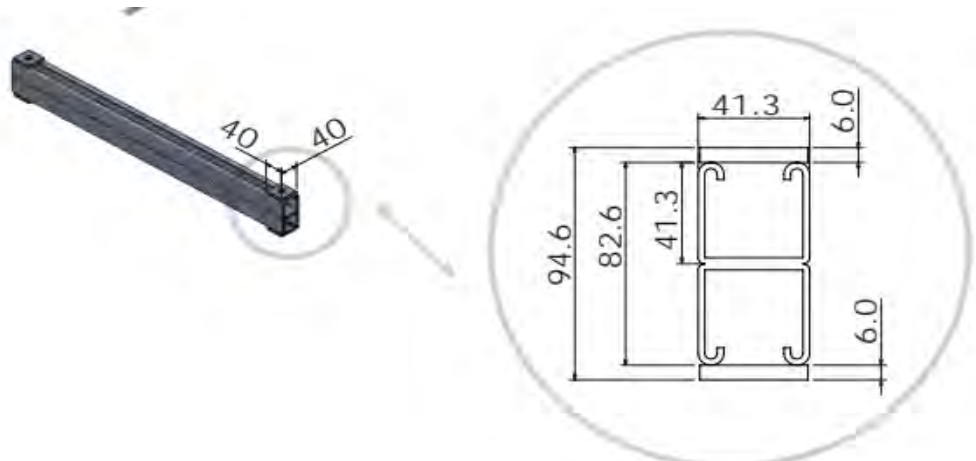
N3ER1504FRH
N3ER3004FRH
N3ER4504FRH
N3ER6004FRH

**ADDITIONAL ITEMS REQUIRED**

4x HN12H
2x B1068H
4x HS1030H
2x SW10H
2x HN10H
2x FW10H
2x B1008H
_TR12H (Qty determined by drop)

TRAPEZES REQUIRED

TS150FRH
TS300FRH
TS450FRH
TS600FRH



Order fasteners separately for installation.
16 x Splice Bolts (SBH) & 16 x Splice Nuts (SNH) required.

Non standard radius fittings can be manufactured against firm orders, and are non returnable.

Note

- Powder coating and special finishes on request against firm orders only and are non returnable.

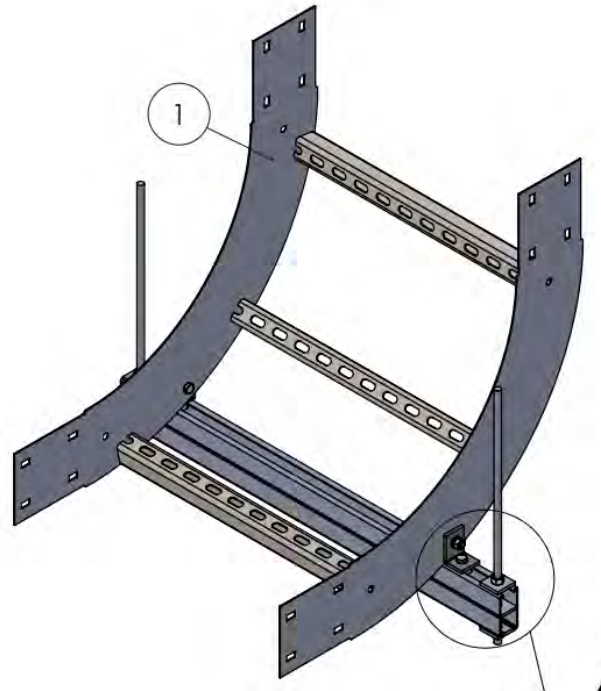
Surface Finish**Available Finish**

Hot Dip Galvanised to AS/NZ 4680:2006

The Fire Rated System complies with **Australian and New Zealand Standard AS/NZ 3013:2005 Classification WS5X**. It is designed and tested to achieve 2 hour fire rating at 1050 deg. Centigrade.

ORDERING CODE

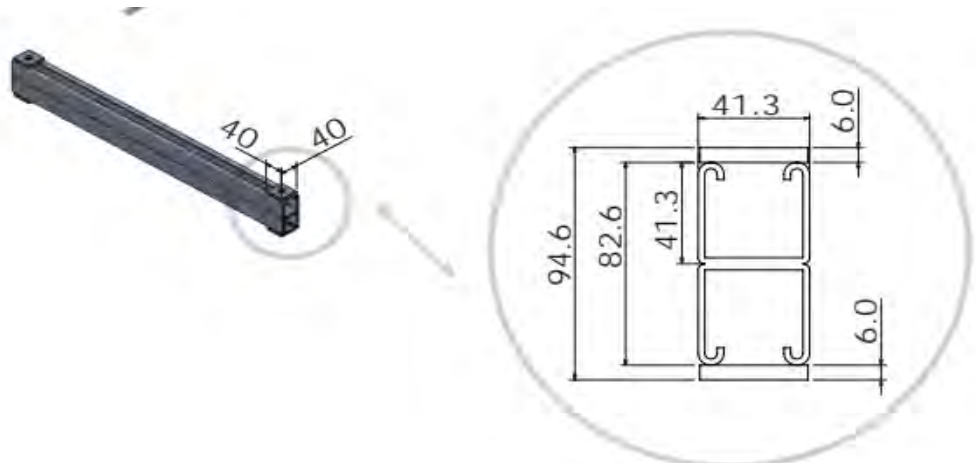
N3IR1504FRH
N3IR3004FRH
N3IR4504FRH
N3IR6004FRH

**ADDITIONAL ITEMS REQUIRED**

4x HN12H
2x B1068H
4x HS1030H
2x SW10H
2x HN10H
2x FW10H
2x B1008H
_TR12H (Qty determined by drop)

TRAPEZES REQUIRED

TS150FRH
TS300FRH
TS450FRH
TS600FRH



Order fasteners separately for installation.
24 x Splice Bolts (SBH) & 24 x Splice Nuts (SNH) required

Non standard radius fittings can be manufactured against firm orders, and are non returnable.

Note

- Powder coating and special finishes on request against firm orders only and are non returnable.

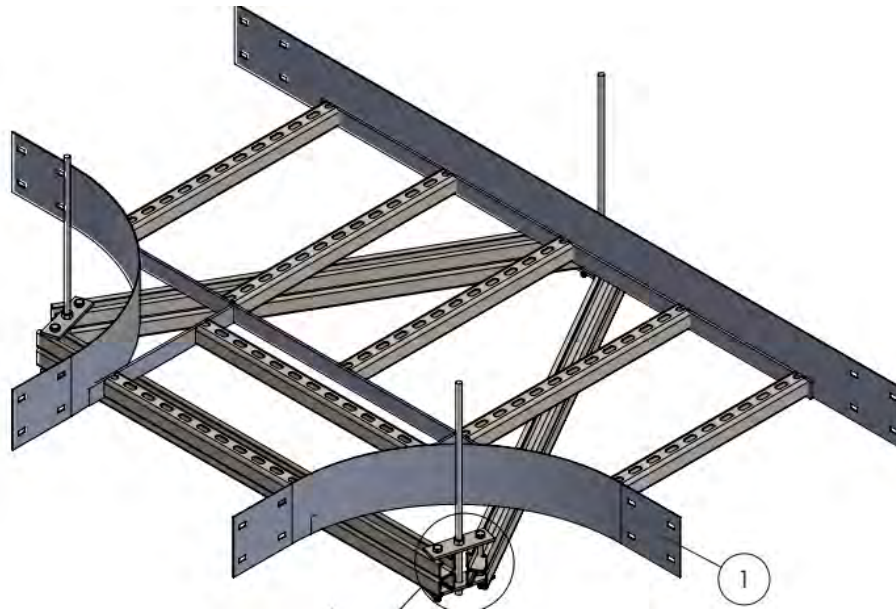
Surface Finish**Available Finish**

Hot Dip Galvanised to AS/NZ 4680:2006

The Fire Rated System complies with **Australian and New Zealand Standard AS/NZ 3013:2005 Classification WS5X**. It is designed and tested to achieve 2 hour fire rating at 1050 deg. Centigrade.

ORDERING CODE

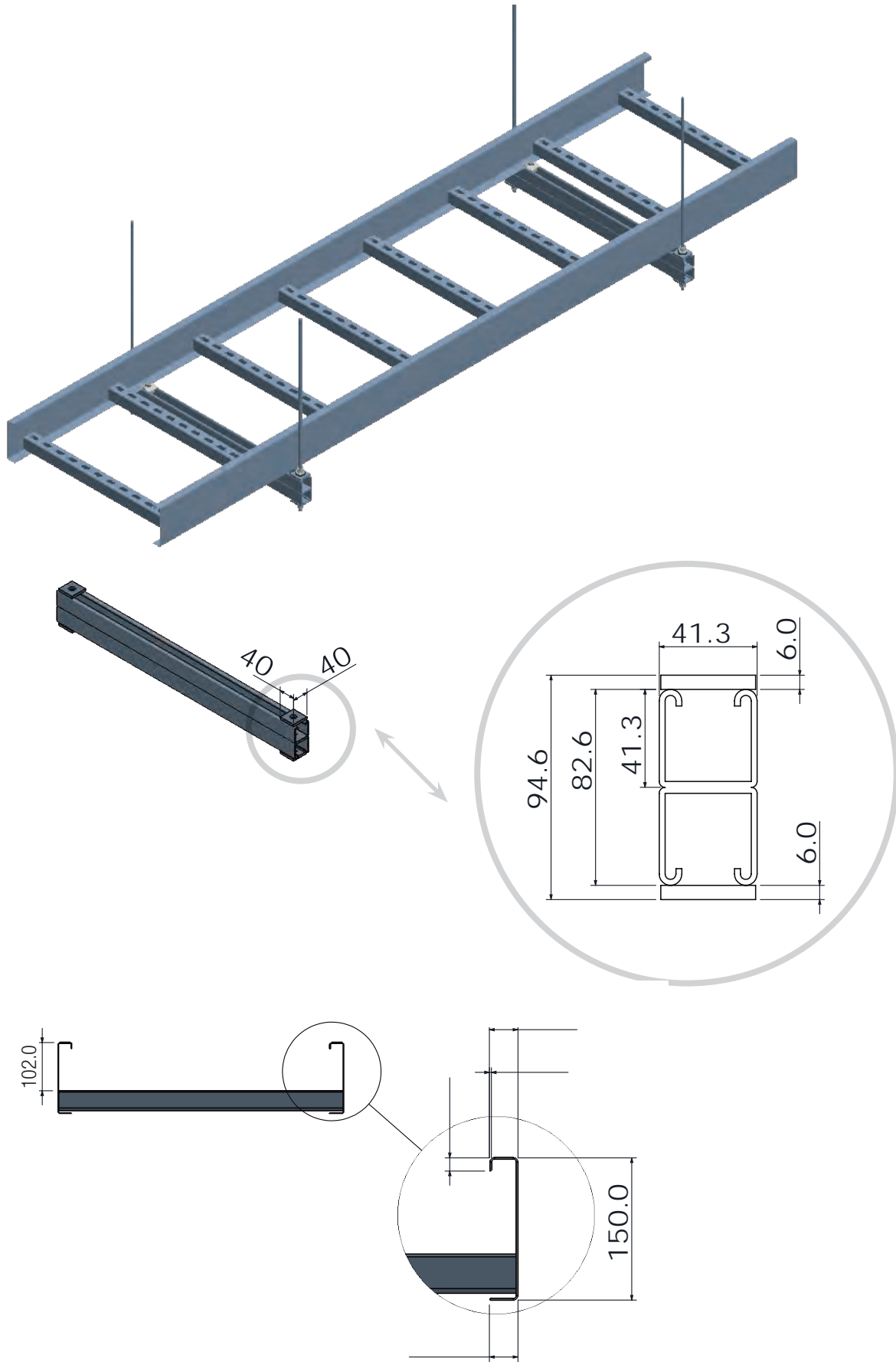
N3T1504FRH
N3T3004FRH
N3T4504FRH
N3T6004FRH

**ADDITIONAL ITEMS REQUIRED**

TR12H (Qty determined by drop)
6x HN12H
6x B1066H
6x HS1020H
6x SW10H
6x HN10H
3x B1001H (Length required based on tee size)

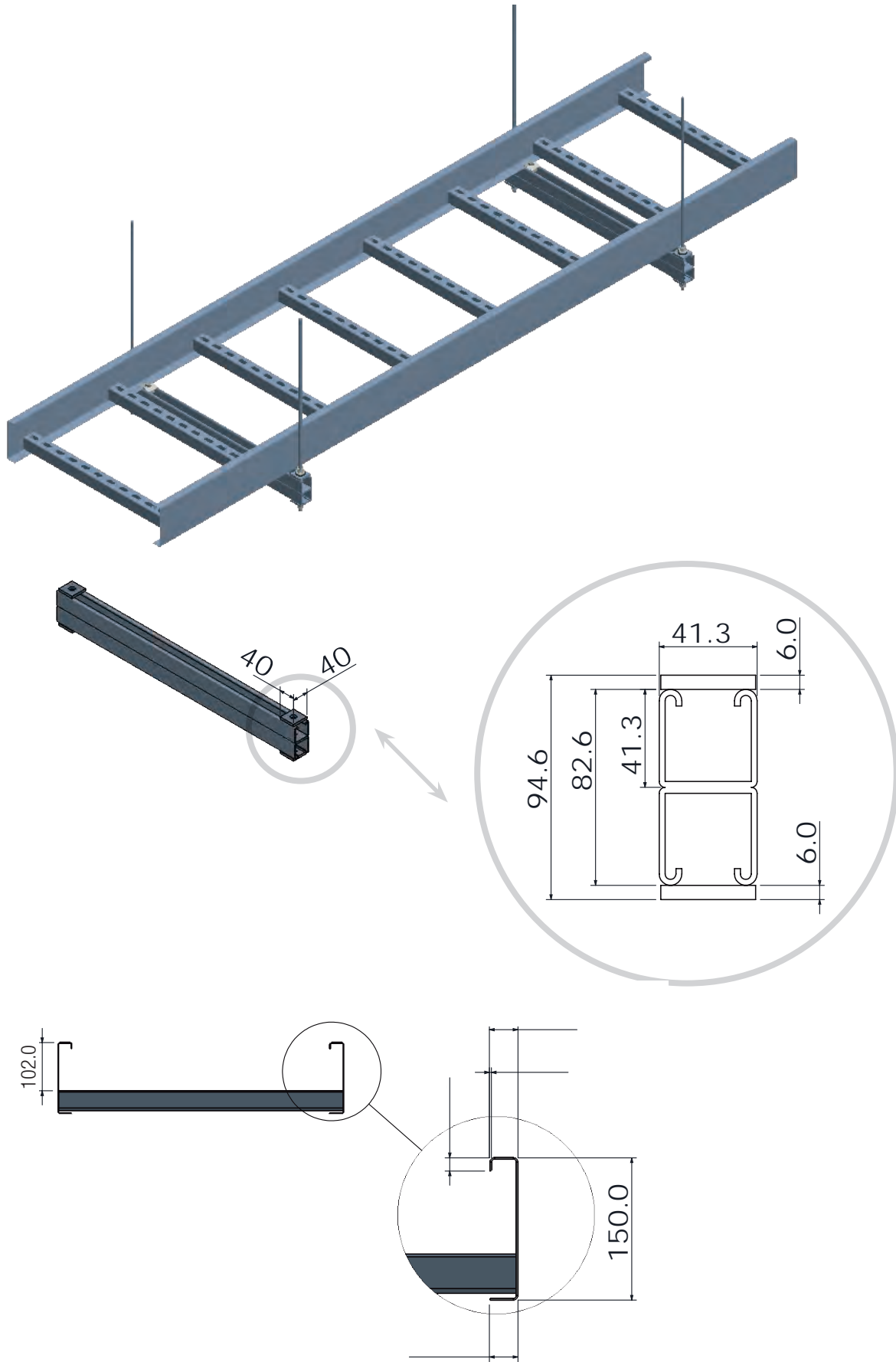
B1001 CUT SIZES

B1001H650
B1001H800
B1001H950
B1001H950
B1001H1100



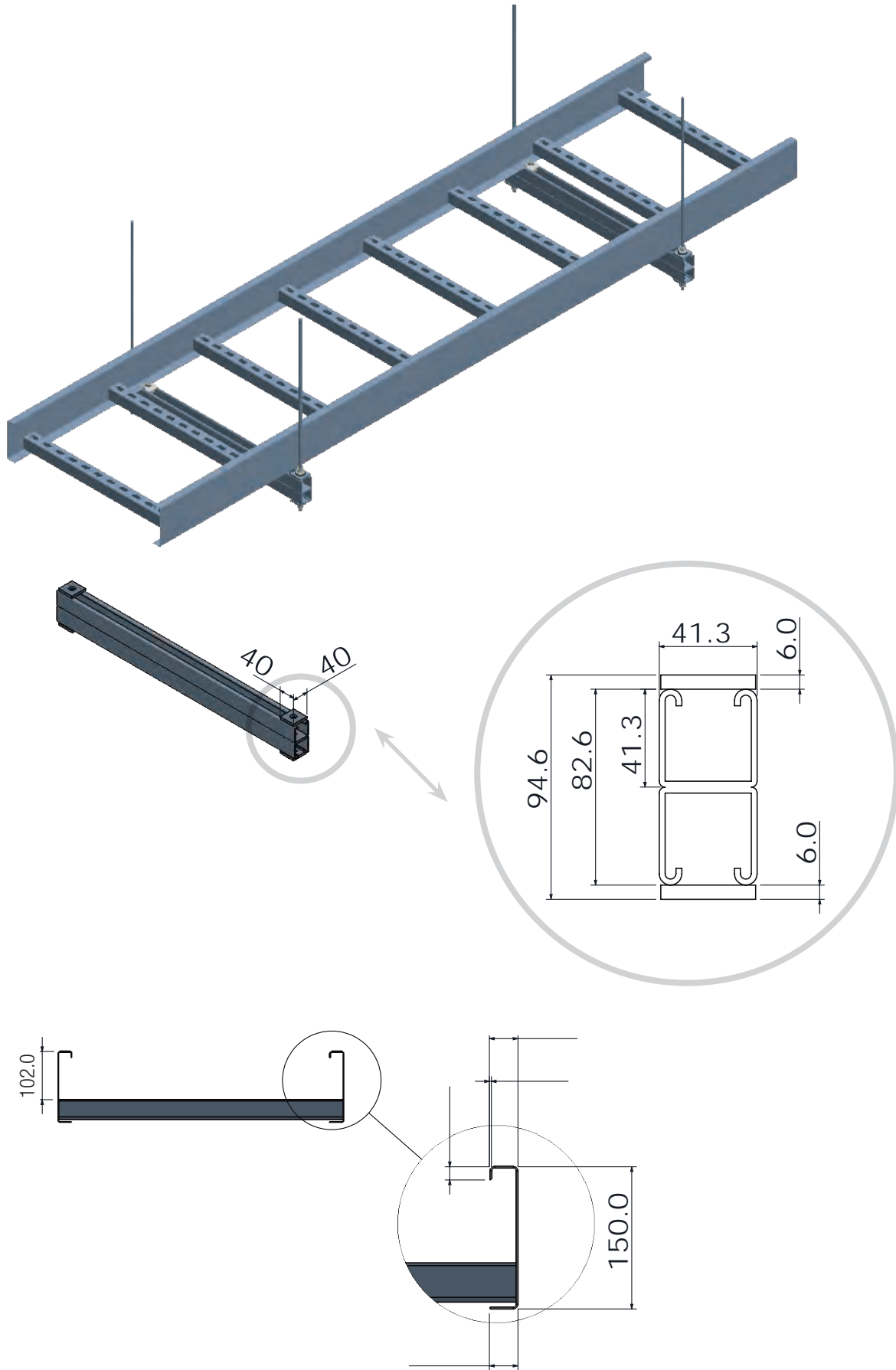
NEMA 4 NEMA 4

CHANNELS	1
NUTS & BOLTS	2
CANTILEVER BRACKETS	3
CHANNEL FITTINGS	4
LADDERTRAYS	5
CABLE MESH	6
STEEL LADDERS	7
ALUMINIUM LADDERS	8
FIRE RATED	9
COVERS	10
HYGROUND	11



NEMA 4 NEMA 4

CHANNELS	1
NUTS & BOLTS	2
CANTILEVER BRACKETS	3
CHANNEL FITTINGS	4
LADDERTRAYS	5
CABLE MESH	6
STEEL LADDERS	7
ALUMINIUM LADDERS	8
FIRE RATED	9
COVERS	10
HYGROUND	11



NEMA 4 NEMA 4

CHANNELS	1
NUTS & BOLTS	2
CANTILEVER BRACKETS	3
CHANNEL FITTINGS	4
LADDERTRAYS	5
CABLE MESH	6
STEEL LADDERS	7
ALUMINIUM LADDERS	8
FIRE RATED	9
COVERS	10
HYGROUND	11

Order fasteners separately for installation.
16 x Splice Bolts (SBH) & 16 x Splice Nuts (SNH) required.

Non standard radius fittings can be manufactured against firm orders, and are non returnable.

Note

- Powder coating and special finishes on request against firm orders only and are non returnable.

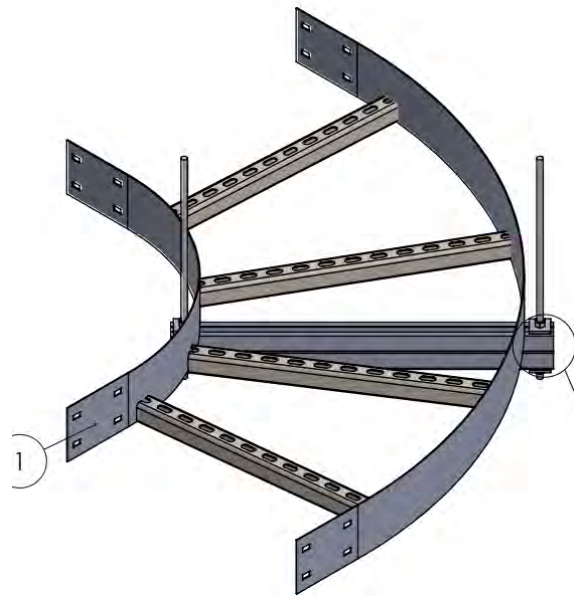
Surface Finish**Available Finish**

Hot Dip Galvanised to AS/NZ 4680:2006

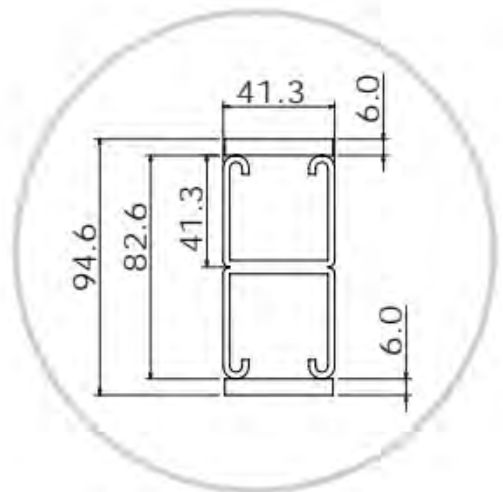
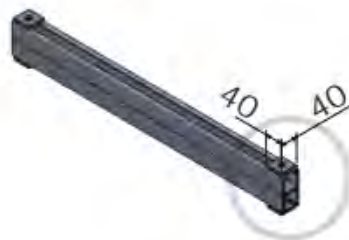
The Fire Rated System complies with **Australian and New Zealand Standard AS/NZ 3013:2005**
Classification WS5X. It is designed and tested to achieve 2 hour fire rating at 1050 deg. Centigrade.

ORDERING CODE

N4B1504FRH
N4B3004FRH
N4B4504FRH
N4B6004FRH

**TRAPEZES REQUIRED**

TS150FRH
TS300FRH
TS450FRH
TS600FRH

**ADDITIONAL ITEMS**

TR12H (Qty determined by drop)
4xHN12H

Order fasteners separately for installation.
32 x Splice Bolts (SBH) & 32 x Splice Nuts (SNH) required.

Non standard radius fittings can be manufactured against firm orders, and are non returnable.

Note

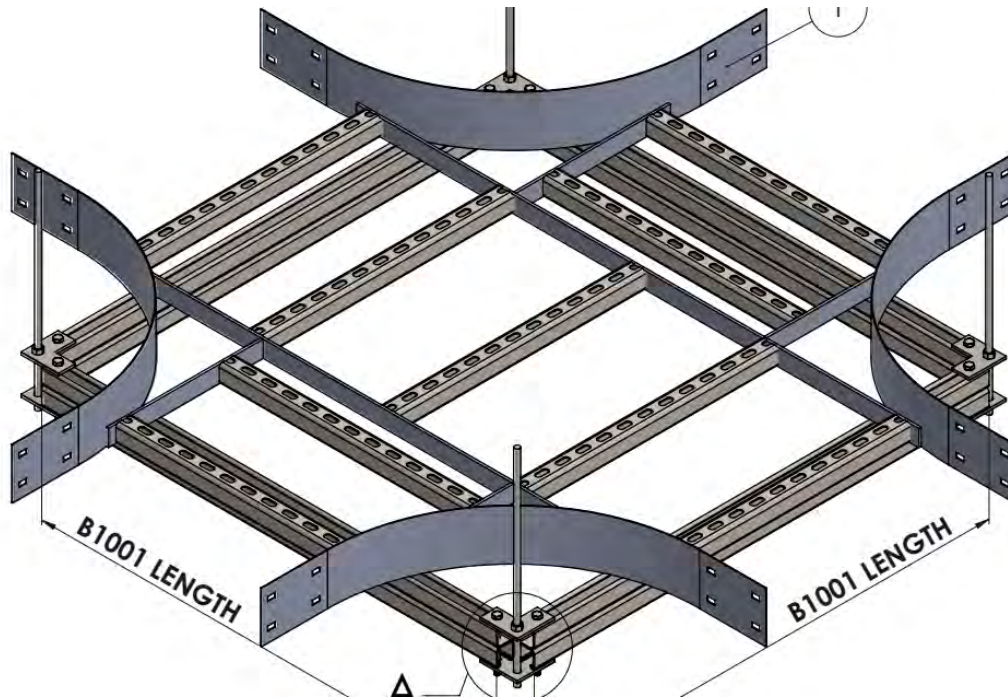
- Powder coating and special finishes on request against firm orders only and are non returnable.

Surface Finish

Available Finish

Hot Dip Galvanised to AS/NZ 4680:2006

The Fire Rated System complies with **Australian and New Zealand Standard AS/NZ 3013:2005 Classification WS5X**. It is designed and tested to achieve 2 hour fire rating at 1050 deg. Centigrade.



ORDERING CODE

B1001 CUT SIZES

ADDITIONAL ITEMS REQUIRED

N4C1504FRH
N4C3004FRH
N4C4504FRH
N4C6004FRH

B1001H650
B1001H800
B1001H950
B1001H950
B1001H1100

TR12H (Qty determined by drop)
8x HN12H
8x B1036H
8x HS1020H
8x SW10H
8x HN10H
4x B1001H(length required based on size of cross)

Order fasteners separately for installation.
16 x Splice Bolts (SBH) & 16 x Splice Nuts (SNH) required.

Non standard radius fittings can be manufactured against firm orders, and are non returnable.

Note

- Powder coating and special finishes on request against firm orders only and are non returnable.

Surface Finish

Available Finish

Hot Dip Galvanised to AS/NZ 4680:2006

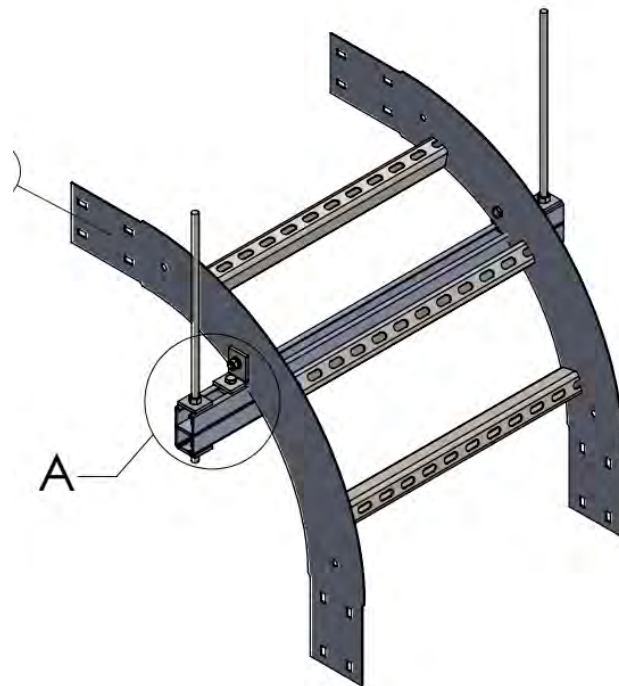
The Fire Rated System complies with **Australian and New Zealand Standard AS/NZ 3013:2005 Classification WS5X**. It is designed and tested to achieve 2 hour fire rating at 1050 deg. Centigrade.

ORDERING CODE EXTERNAL

- N4ER1504FRH
- N4ER3004FRH
- N4ER4504FRH
- N4ER6004FRH

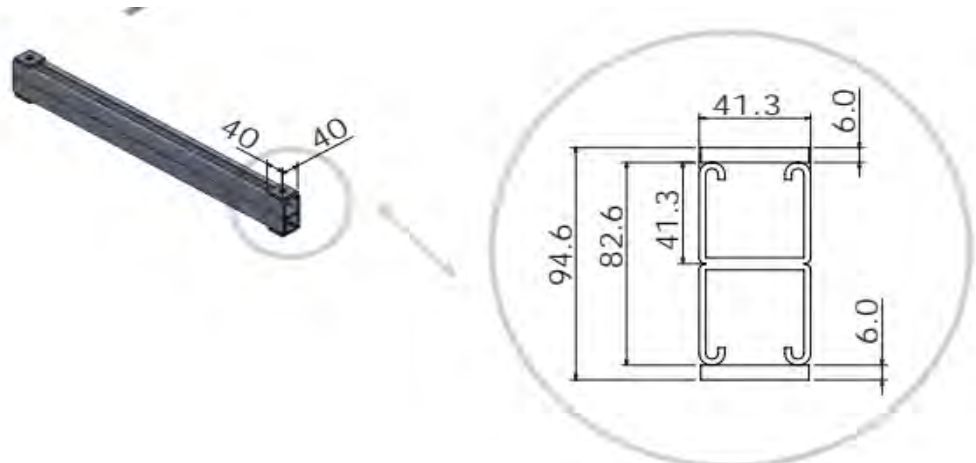
ADDITIONAL ITEMS REQUIRED

- 4x HN12H
- 2x B1068H
- 4x HS1030H
- 2x SW10H
- 2x HN10H
- 2x FW10H
- 2x B1008H
- _TR12H (Qty determined by drop)



TRAPEZES REQUIRED

- TS150FRH
- TS300FRH
- TS450FRH
- TS600FRH



Order fasteners separately for installation.

16 x Splice Bolts (SBH) & 16 x Splice Nuts (SNH) required.

Non standard radius fittings can be manufactured against firm orders, and are non returnable.

Note

- Powder coating and special finishes on request against firm orders only and are non returnable.

Surface Finish**Available Finish**

Hot Dip Galvanised to AS/NZ 4680:2006

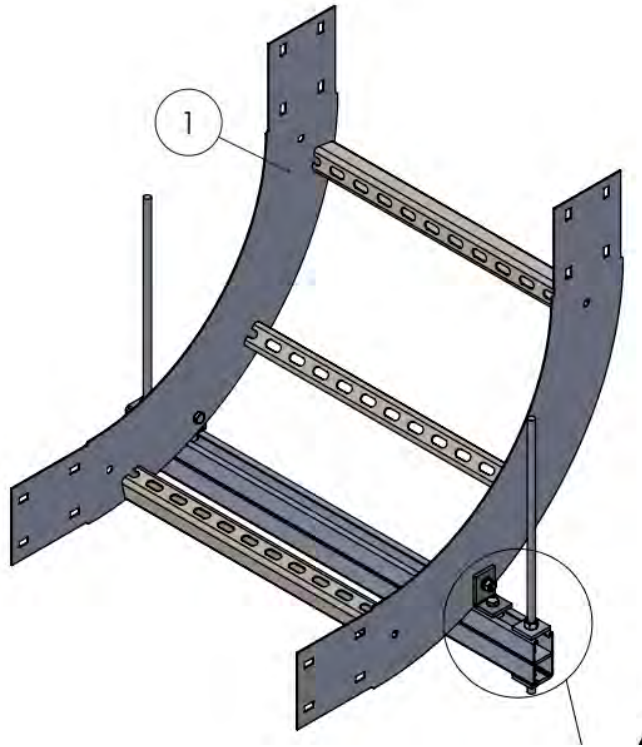
The Fire Rated System complies with **Australian and New Zealand Standard AS/NZ 3013:2005 Classification WS5X**. It is designed and tested to achieve 2 hour fire rating at 1050 deg. Centigrade.

ORDERING CODE

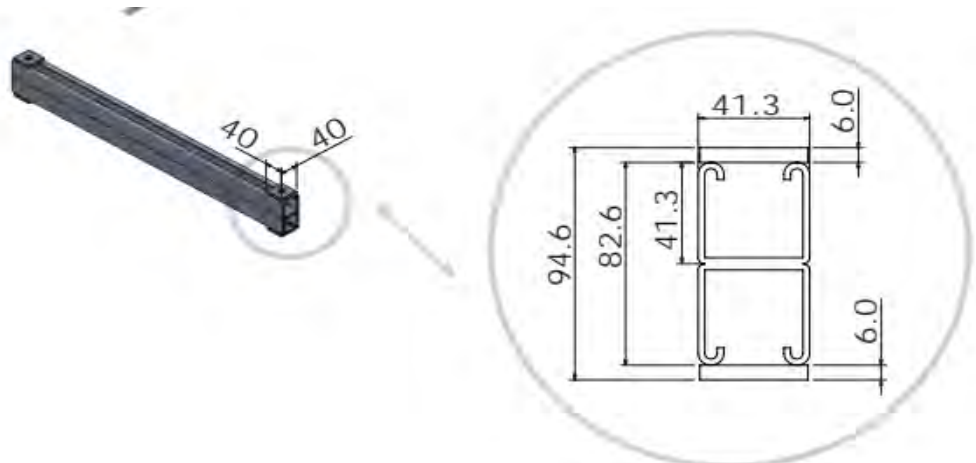
N4IR1504FRH
N4IR3004FRH
N4IR4504FRH
N4IR6004FRH

ADDITIONAL ITEMS REQUIRED

4x HN12H
2x B1068H
4x HS1030H
2x SW10H
2x HN10H
2x FW10H
2x B1008H
_TR12H (Qty determined by drop)

**TRAPEZES REQUIRED**

TS150FRH
TS300FRH
TS450FRH
TS600FRH



Order fasteners separately for installation.
24 x Splice Bolts (SBH) & 24 x Splice Nuts (SNH) required

Non standard radius fittings can be manufactured against firm orders, and are non returnable.

Note

- Powder coating and special finishes on request against firm orders only and are non returnable.

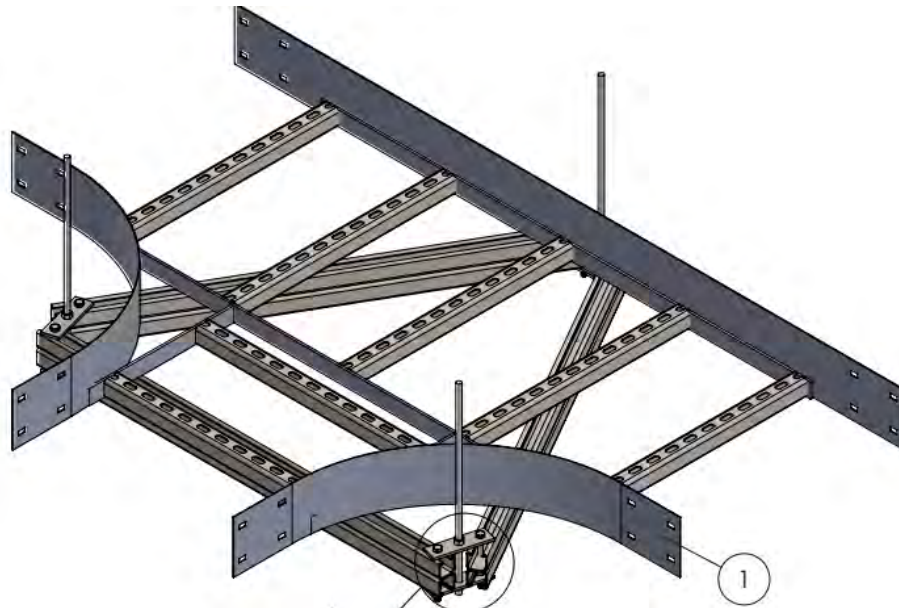
Surface Finish**Available Finish**

Hot Dip Galvanised to AS/NZ 4680:2006

The Fire Rated System complies with **Australian and New Zealand Standard AS/NZ 3013:2005 Classification WS5X**. It is designed and tested to achieve 2 hour fire rating at 1050 deg. Centigrade.

ORDERING CODE

N4T1504FRH
N4T3004FRH
N4T4504FRH
N4T6004FRH

**ADDITIONAL ITEMS REQUIRED**

TR12H (Qty determined by drop)
6x HN12H
6x B1066H
6x HS1020H
6x SW10H
6x HN10H
3x B1001H (Length required based on tee size)

B1001 CUT SIZES

B1001H650
B1001H800
B1001H950
B1001H950
B1001H1100

- Specifications**
- Standard Length 3.0 metres.
 - Cable laying depth 40 mm

- Surface Finish**
- Available Finish**
- Pre Galvanised to AS1397
 - Hot Dip Galvanised to AS/NZ 4680:2006

- Note**
- The Burndy Fire Rated Systems requires no on-site welding to cut and rejoin.
 - Powder coating and special finishes on request against firm orders only and are non returnable.

The Fire Rated System complies with **Australian and New Zealand Standard AS/NZ 3013:2005 Classification WS5X**. It is designed and tested to achieve 2 hour fire rating at 1050 deg. Centigrade.

Fire rating only applies when used as a complete FR50LT3 arrangement.

Uniform load rating of 50 kg per metre.

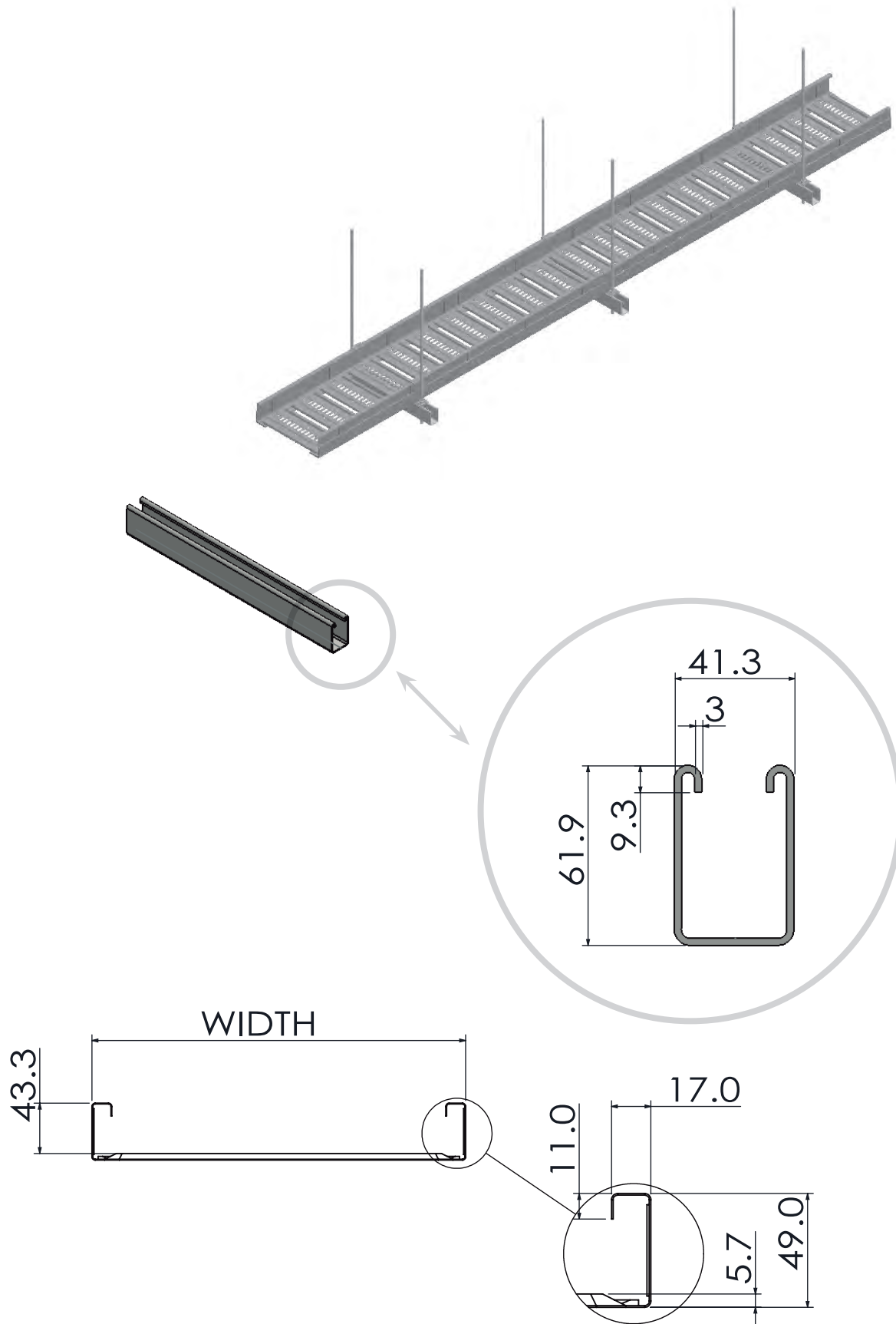
Maximum support span of 1.0 metres.

Cable Laying Width mm	Pre-Galvanised	Overall Width mm
150	LT3150G	172
300	LT3300G	322
450	LT3450G	472
600	LT3600G	622



Kit Ordering Code FR50LT3<width>

FR50LT3 AS/NZ 3013:2005 Fire Rated Laddertray Arrangement



CHANNELS	1
NUTS & BOLTS	2
CANTILEVER BRACKETS	3
CHANNEL FITTINGS	4
LADDERTRAYS	5
CABLE MESH	6
STEEL LADDERS	7
ALUMINIUM LADDERS	8
FIRE RATED	9
COVERS	10
HYGROUND	11

- Specifications**
- Standard Length 3.0 metres.
 - Cable laying depth 75 mm

- Surface Finish**
- Available Finish**
- Pre Galvanised to AS1397
 - Hot Dip Galvanised to AS/NZ 4680:2006

- Note**
- The Burndy Fire Rated Systems requires no on-site welding to cut and rejoin.
 - Powder coating and special finishes on request against firm orders only and are non returnable.

The Fire Rated System complies with **Australian and New Zealand Standard AS/NZ 3013:2005 Classification WS5X**. It is designed and tested to achieve 2 hour fire rating at 1050 deg. Centigrade.

Fire rating only applies when used as a complete FR12LT5 arrangement.

Uniform load rating of 13 kg per metre.

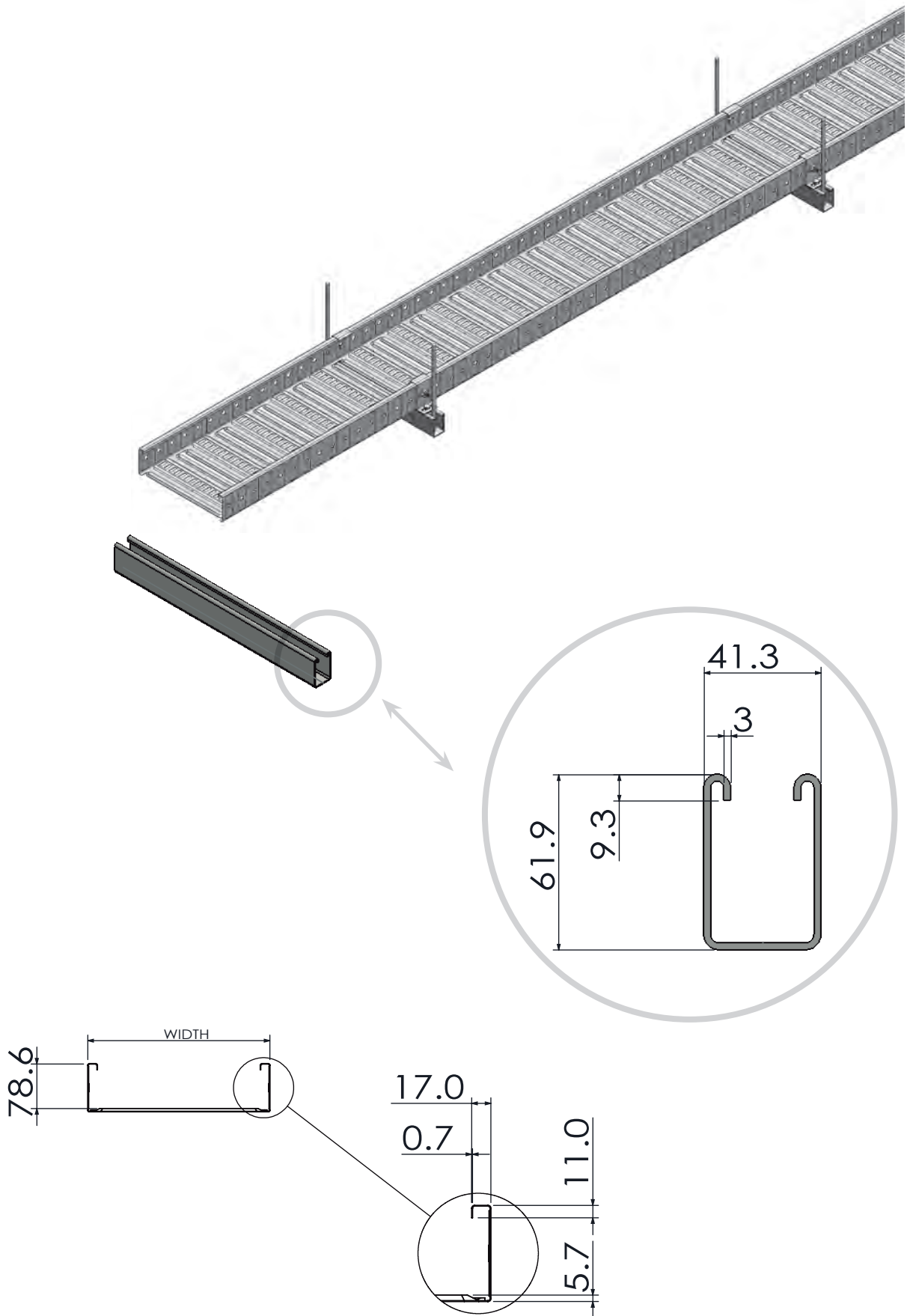
Maximum support span of 1.5 metres.

Cable Laying Width mm	Pre-Galvanised	Overall Width mm
150	LT5150G	172
300	LT5300G	322



Kit Ordering Code FR12LT5<width>

FR12LT5 AS/NZ 3013:2005 Fire Rated Laddertray Arrangement



CHANNELS	1
NUTS & BOLTS	2
CANTILEVER BRACKETS	3
CHANNEL FITTINGS	4
LADDERTRAYS	5
CABLE MESH	6
STEEL LADDERS	7
ALUMINIUM LADDERS	8
FIRE RATED	9
COVERS	10
HYGROUND	11

Specifications

- Standard Length 3.0 metres.
- Cable laying depth 75 mm

Surface Finish

Available Finish

- Pre Galvanised to AS1397
- Hot Dip Galvanised to AS/NZ 4680:2006

Note

- The Burndy Fire Rated Systems requires no on-site welding to cut and rejoin.
- Powder coating and special finishes on request against firm orders only and are non returnable.

The Fire Rated System complies with **Australian and New Zealand Standard AS/NZ 3013:2005 Classification WS5X**. It is designed and tested to achieve 2 hour fire rating at 1050 deg. Centigrade.

Fire rating only applies when used as a complete FR20LT5 arrangement.

Uniform load rating of 19.6 kg per metre.

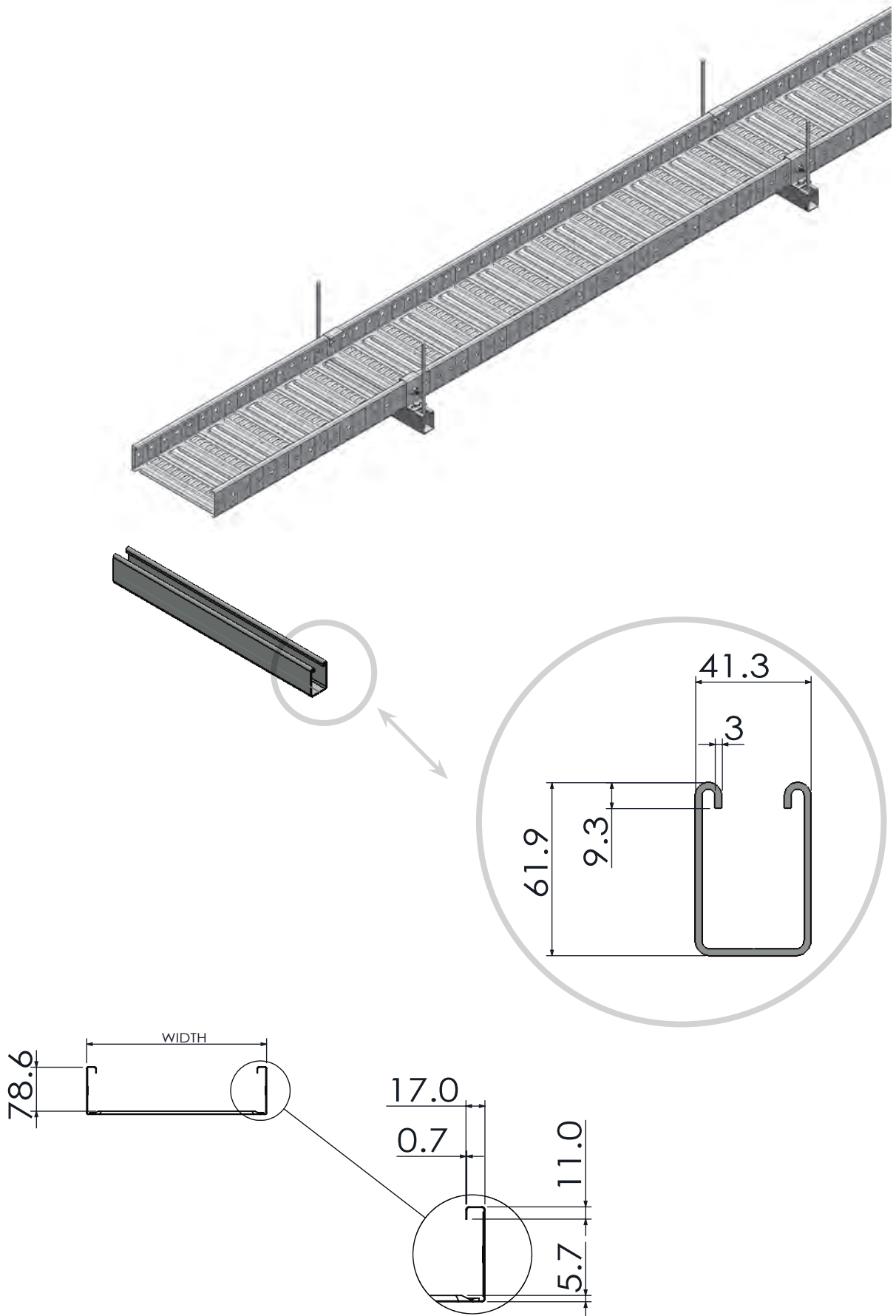
Maximum support span of 1.0 metres.

Cable Laying Width mm	Pre-Galvanised	Overall Width mm
150	LT5150G	172
300	LT5300G	322



Kit Ordering Code FR20LT5<width>

FR20LT5 AS/NZ 3013:2005 Fire Rated Laddertray Arrangement



CHANNELS	1
NUTS & BOLTS	2
CANTILEVER BRACKETS	3
CHANNEL FITTINGS	4
LADDERTRAYS	5
CABLE MESH	6
STEEL LADDERS	7
ALUMINIUM LADDERS	8
FIRE RATED	9
COVERS	10
HYGROUND	11

Specifications

- Standard Length 3.0 metres.
- Cable laying depth 50 mm

Surface Finish Available Finish

Pre Galvanised to AS1397
Hot Dip Galvanised to AS/NZ 4680:2006

Note

- The Burndy Fire Rated Systems requires no on-site welding to cut and rejoin.
- Powder coating and special finishes on request against firm orders only and are non returnable.

The Fire Rated System complies with **Australian and New Zealand Standard AS/NZ 3013:2005 Classification WS5X**. It is designed and tested to achieve 2 hour fire rating at 1050 deg. Centigrade.

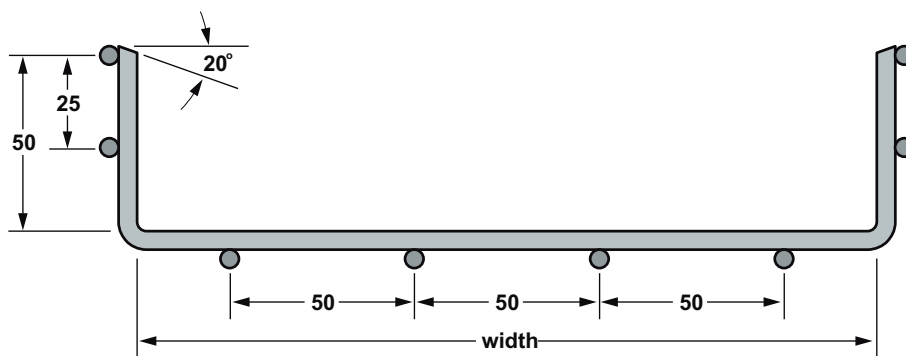
Fire rating only applies when used as a complete FR7BCM arrangement.

Uniform load rating of 7 kg per metre.

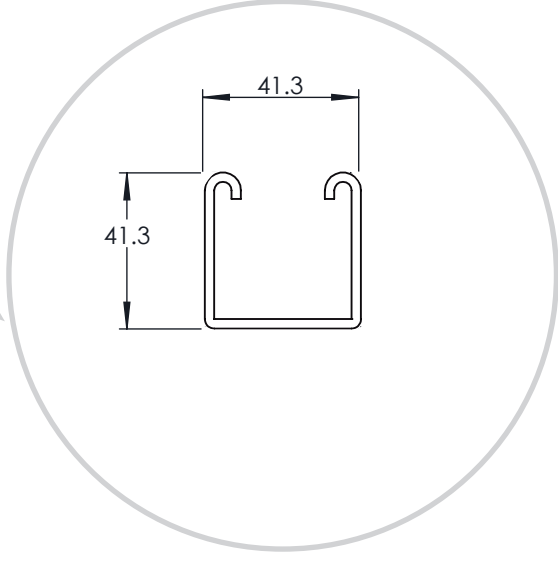
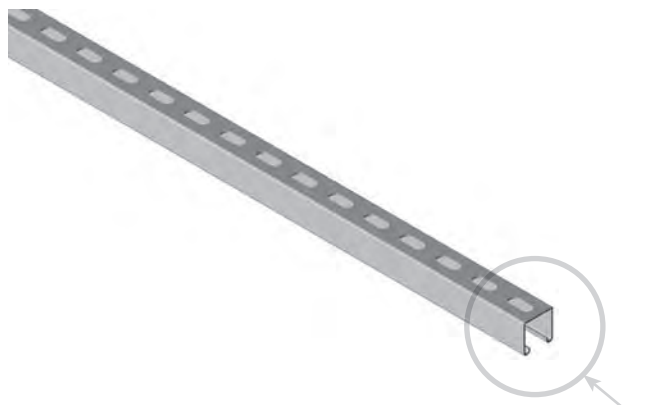
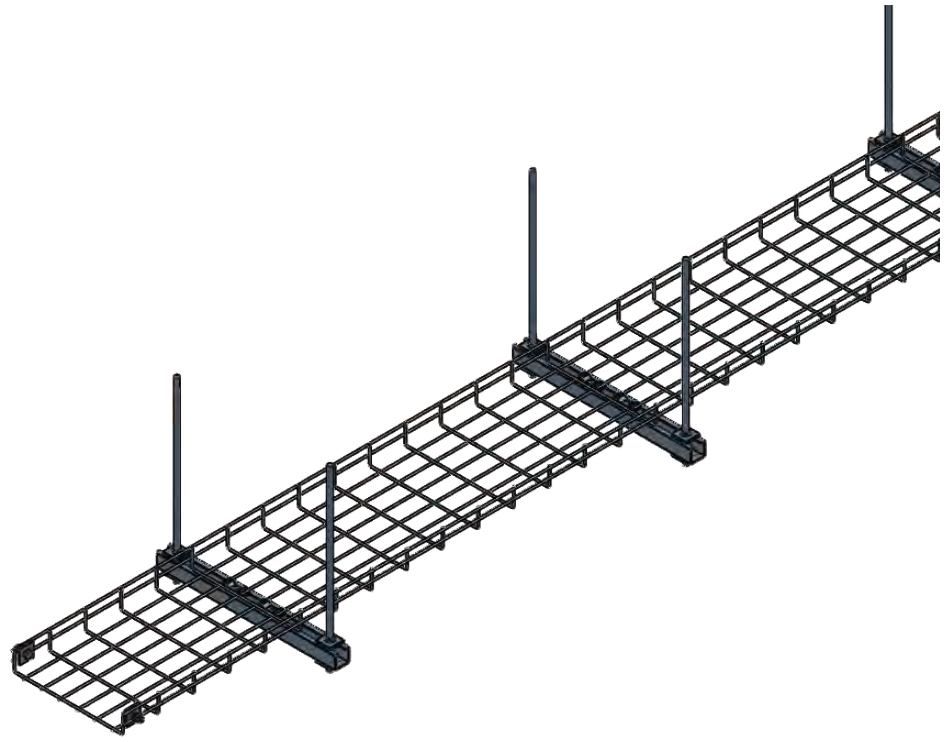
Maximum support span of 1.0 metres.

Ordering Code	Height mm	Width mm
BCM150PG	50	150
BCM300PG	50	300

Kit Ordering Code FR7BCM<width>



FR7BCM AS/NZ 3013:2005 Fire Rated Cable Mesh Arrangement



CHANNELS	1
NUTS & BOLTS	2
CANTILEVER BRACKETS	3
CHANNEL FITTINGS	4
LADDERTRAYS	5
CABLE MESH	6
STEEL LADDERS	7
ALUMINIUM LADDERS	8
FIRE RATED	9
COVERS	10
HYGROUND	11

- Specifications**
- Standard Length 6.0 metres.
 - Cable laying depth 45 mm

Surface Finish**Available Finish**

- Pre Galvanised to AS1397
- Hot Dip Galvanised to AS/NZ 4680:2006

Note

- The Burndy Fire Rated Systems requires no on-site welding to cut and rejoin.
- Powder coating and special finishes on request against firm orders only and are non returnable.

The Fire Rated System complies with **Australian and New Zealand Standard AS/NZ 3013:2005 Classification WS5X**. It is designed and tested to achieve 2 hour fire rating at 1050 deg. Centigrade.

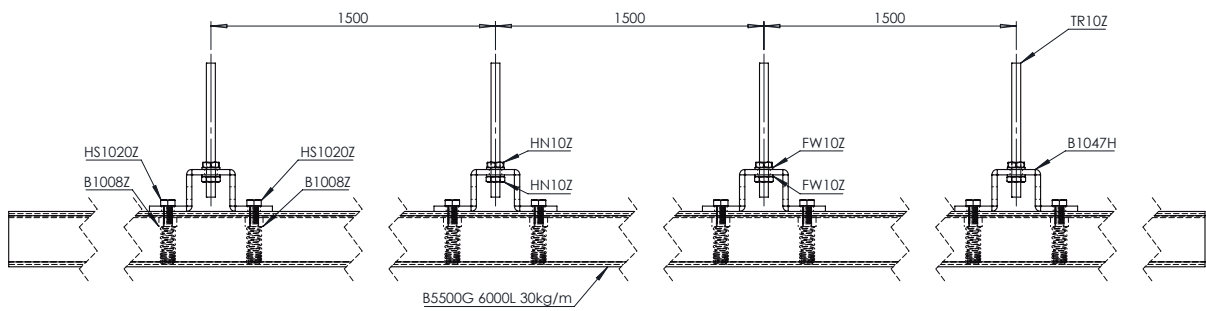
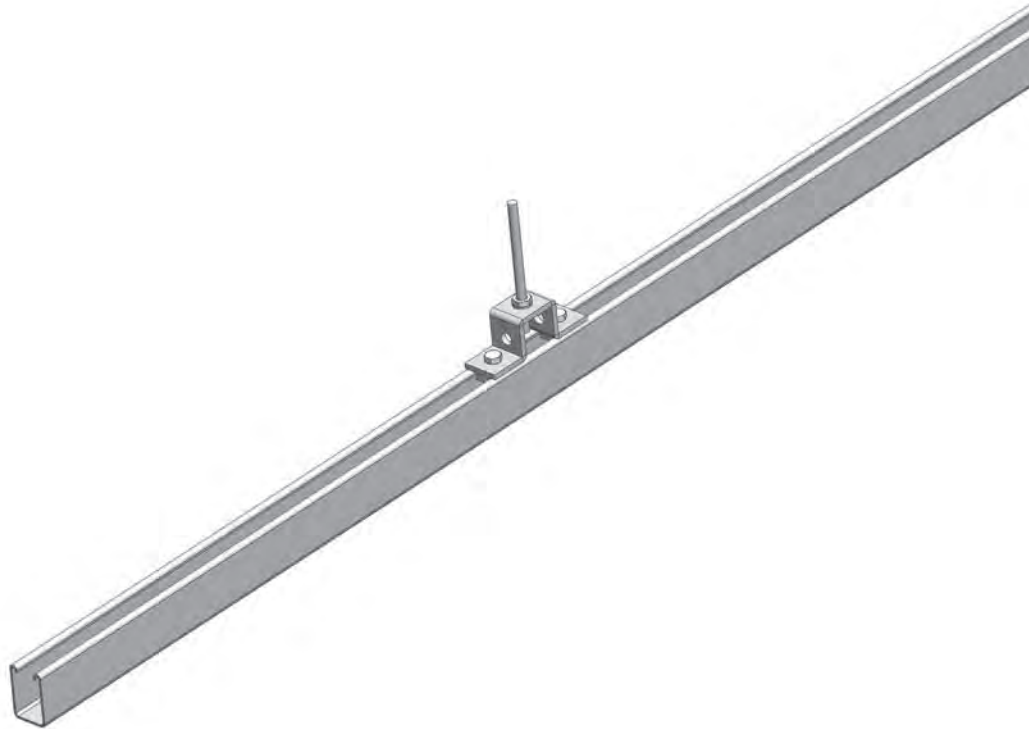
Fire rating only applies when used as a complete FR5C arrangement.

Uniform load rating of 5 kg per metre.

Maximum support span of 1.5 metres.

Ordering Code	Height mm	Width mm
FR5C	62	42

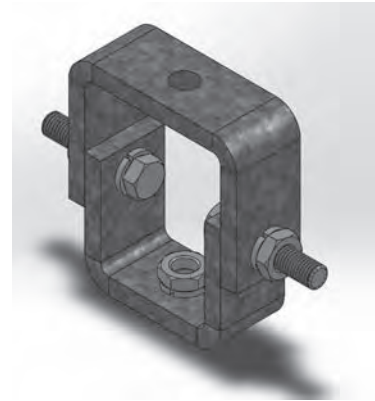
Kit Ordering Code FR5C**FR5C AS/NZ 3013:2005 Fire Rated Cable Channel Arrangement**



- CHANNELS 1
- NUTS & BOLTS 2
- CANTILEVER BRACKETS 3
- CHANNEL FITTINGS 4
- LADDERTRAYS 5
- CABLE MESH 6
- STEEL LADDERS 7
- ALUMINIUM LADDERS 8
- FIRE RATED 9**
- COVERS 10
- HYGROUND 11

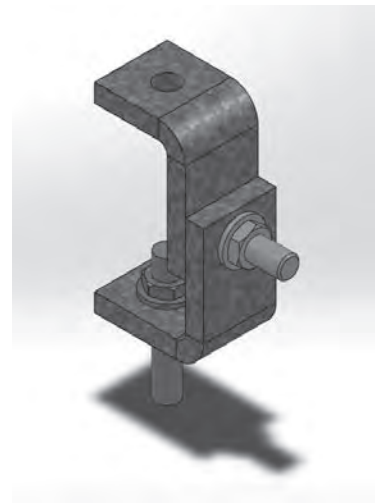
Ordering Code BFRSBHDH

Fire Rated Swivel Bracket Heavy Duty



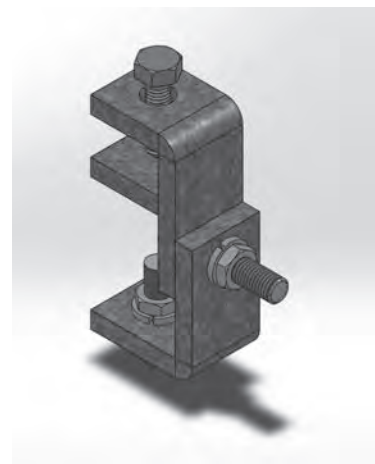
Ordering Code BFRSBMDH

Fire Rated Swivel Bracket Medium Duty



Ordering Code FRMDSBBC

Fire Rated Beam Clamp





CLB335FRH



CLB485FRH



CLB635FRH

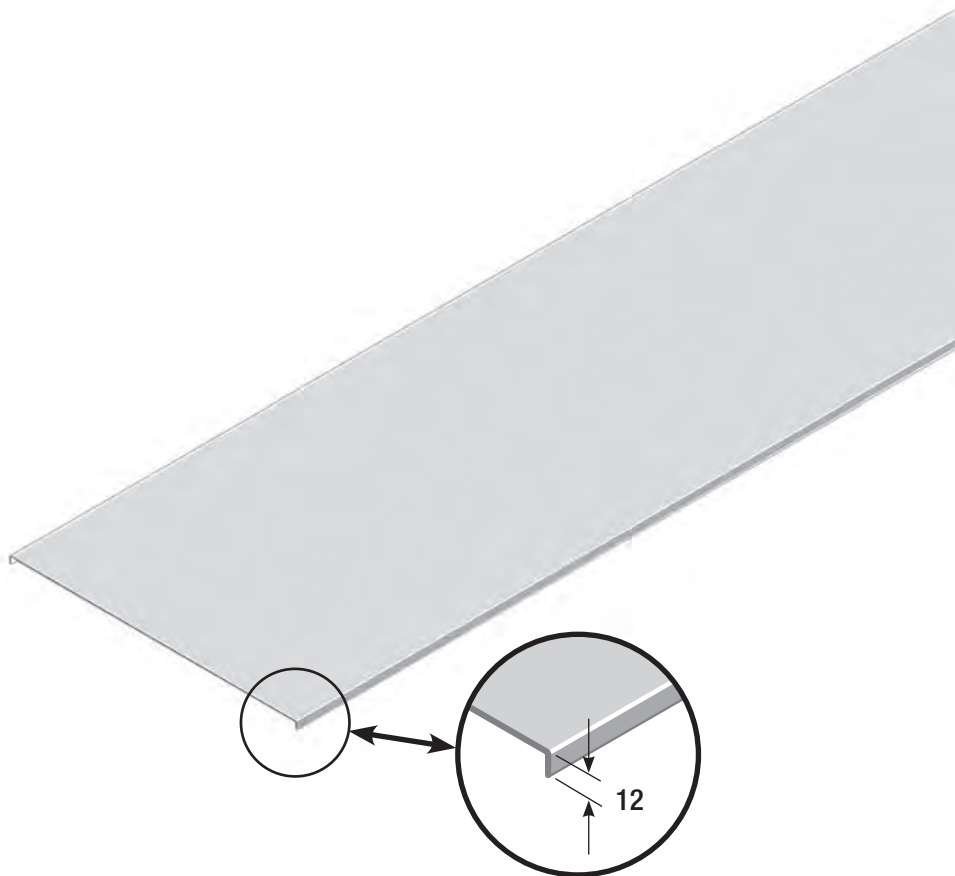
Ordering Code	Length	Load Capacity kg
CLB335FRH	335	100
CLB485FRH	485	100
CLB635FRH	635	100

Fire Rated Cantilever Bracket

- CHANNELS 1
- NUTS & BOLTS 2
- CANTILEVER BRACKETS 3
- CHANNEL FITTINGS 4
- LADDERTRAYS 5
- CABLE MESH 6
- STEEL LADDERS 7
- ALUMINIUM LADDERS 8
- FIRE RATED 9**
- COVERS 10
- HYGROUND 11

Standard Product in Western Australia to Suit 'Rail In' Ladders**Specifications****Note**

- Standard Length 3.0 metres.
- Hot Dip Galvanised, Stainless Steel & Aluminium Cable Ladder Covers are manufactured against firm orders only and are non returnable.
- Hot Dip Galvanising is not recommended for products such as these. Varying degrees of product distortion are likely to occur which may compromise aesthetics.
- Powder coating and special finishes on request against firm orders only and are non returnable.

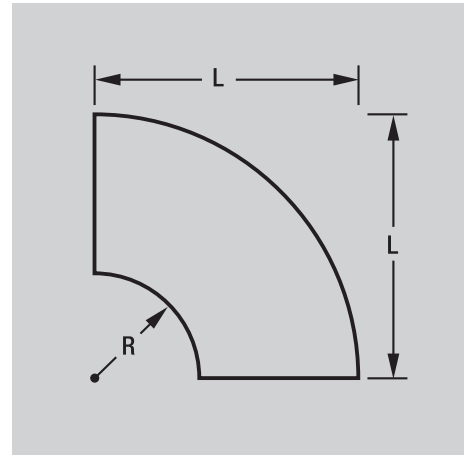
**Note**

Covers are common for NEMA 2, NEMA 3 and NEMA 4 in steel and stainless steel. They are also common for NEMA 2 and NEMA 3 in aluminium.

NEMA 2 / NEMA 3 / NEMA 4 Cable Ladder - Flat Cover 'Rail-In'

Note

Powder coating and special finishes on request against firm orders only and are non returnable.



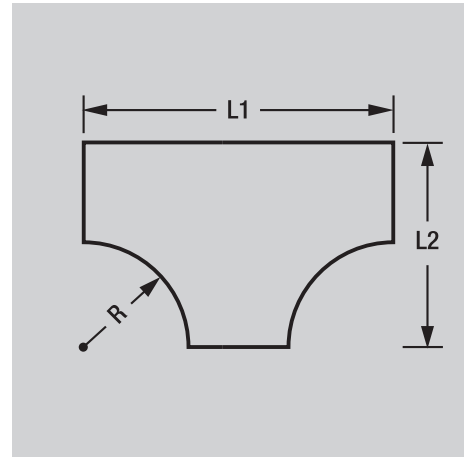
	Ordering Code	Nominal Width mm	Length L mm
300 Radius Standard for all NEMA 1	CB1503	150	450
	CB3003	300	600
	CB4503	450	750
	CB6003	600	900
	CB9003	900	1200
450 Radius Standard for all NEMA 2, NEMA 3 & NEMA 4	CB1504	150	600
	CB3004	300	750
	CB4504	450	900
	CB6004	600	1050
	CB9004	900	1350

- A Aluminium
- G Galvabond
- H Hot Dip Galvansied
- S Stainless Steel

Cable Ladder - Bend Cover

Note

Powder coating and special finishes on request against firm orders only and are non returnable.



	Ordering Code	Nominal Width mm	Length L1 mm	Length L2 mm
300 Radius Standard for all NEMA 1	CT1503_	150	750	450
	CT3003_	300	900	600
	CT4503_	450	1050	750
	CT6003_	600	1200	900
	CT9003_	900	1500	1200
450 Radius Standard for all NEMA 2, NEMA 3 & NEMA 4	CT1504_	150	1050	600
	CT3004_	300	1200	750
	CT4504_	450	1350	900
	CT6004_	600	1500	1050
	CT9004_	900	1800	1350

- A Aluminium
- G Galvabond
- H Hot Dip Galvansied
- S Stainless Steel

Cable Ladder - Tee Cover

CHANNELS 1

NUTS & BOLTS 2

CANTILEVER BRACKETS 3

CHANNEL FITTINGS 4

LADDERTRAYS 5

CABLE MESH 6

STEEL LADDERS 7

ALUMINIUM LADDERS 8

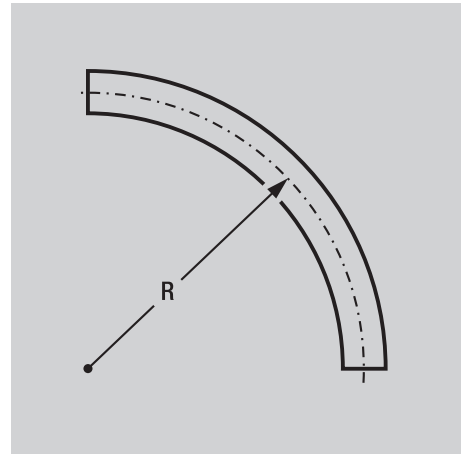
FIRE RATED 9

COVERS 10

HYGROUND 11

Note

Powder coating and special finishes on request against firm orders only and are non returnable.



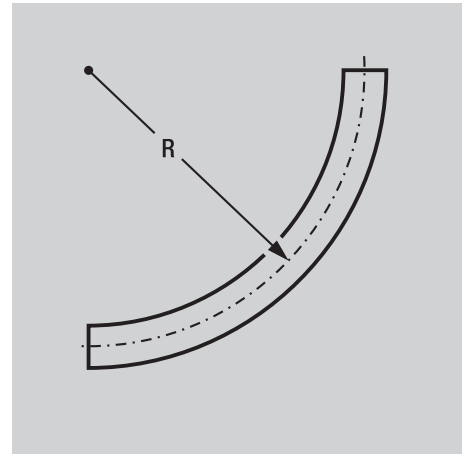
	Ordering Code	Nominal Width mm
300 Radius Standard for all NEMA 1	CER1503	150
	CER3003	300
	CER4503	450
	CER6003	600
	CER9003	900
450 Radius Standard for all NEMA 2, NEMA 3 & NEMA 4	CER1504	150
	CER3004	300
	CER4504	450
	CER6004	600
	CER9004	900

- A Aluminium
- G Galvabond
- H Hot Dip Galvansied
- S Stainless Steel

Cable Ladder - External Riser Cover

Note

Powder coating and special finishes on request against firm orders only and are non returnable.



	Ordering Code	Nominal Width mm
300 Radius Standard for all NEMA 1	CIR1503	150
	CIR3003	300
	CIR4503	450
	CIR6003	600
	CIR9003	900
450 Radius Standard for all NEMA 2, NEMA 3 & NEMA 4	CIR1504	150
	CIR3004	300
	CIR4504	450
	CIR6004	600
	CIR9004	900

- A Aluminium
- G Galvabond
- H Hot Dip Galvansied
- S Stainless Steel

Cable Ladder - Internal Riser Cover

CHANNELS 1

NUTS & BOLTS 2

CANTILEVER BRACKETS 3

CHANNEL FITTINGS 4

LADDERTRAYS 5

CABLE MESH 6

STEEL LADDERS 7

ALUMINIUM LADDERS 8

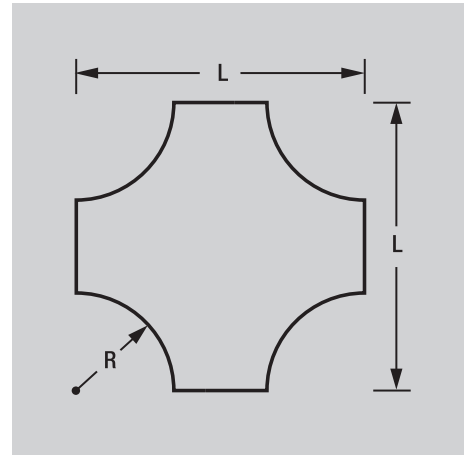
FIRE RATED 9

COVERS 10

HYGROUND 11

Note

Powder coating and special finishes on request against firm orders only and are non returnable.



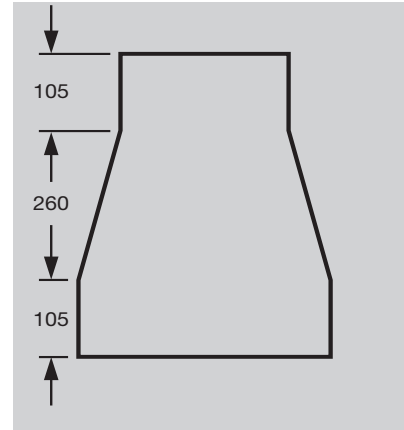
	Ordering Code	Nominal Width mm	Length L mm
300 Radius Standard for all NEMA 1	CC1503	150	750
	CC3003	300	900
	CC4503	450	1050
	CC6003	600	1200
	CC9003	900	1500
450 Radius Standard for all NEMA 2, NEMA 3 & NEMA 4	CC1504	150	1050
	CC3004	300	1200
	CC4504	450	1350
	CC6004	600	1500
	CC9004	900	1800

- A Aluminium
- G Galvabond
- H Hot Dip Galvansied
- S Stainless Steel

Cable Ladder - Cross Cover

Note

Powder coating and non standard finishes on request against firm orders only and are non returnable.



Ordering Code	Width W1 mm	Width W2 mm
CSR300150_	300	150
CSR450150_	450	150
CSR450300_	450	300
CSR600150_	600	150
CSR600300_	600	300
CSR600450_	600	450
CSR900150_	900	150
CSR900300_	900	300
CSR900450_	900	450
CSR900600_	900	600

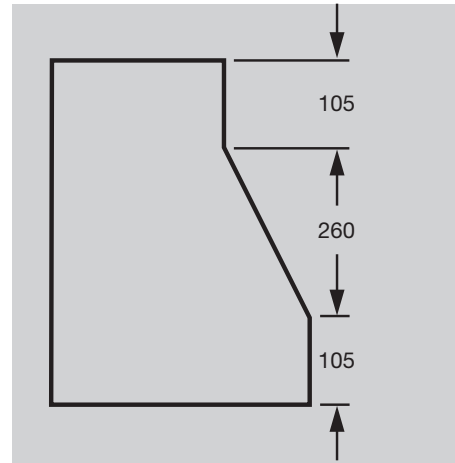
- A Aluminium
- G Galvabond
- H Hot Dip Galvansied
- S Stainless Steel

Cable Ladder - Straight Reducer Cover

- CHANNELS 1
- NUTS & BOLTS 2
- CANTILEVER BRACKETS 3
- CHANNEL FITTINGS 4
- LADDERTRAYS 5
- CABLE MESH 6
- STEEL LADDERS 7
- ALUMINIUM LADDERS 8
- FIRE RATED 9
- COVERS 10
- HYGROUND 11

Note

Powder coating and non standard finishes on request against firm orders only and are non returnable.



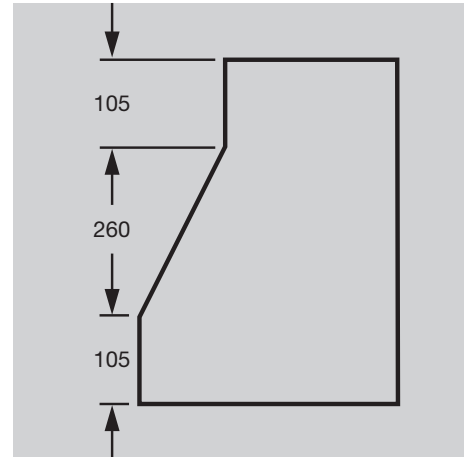
Ordering Code	Width W1 mm	Width W2 mm
CLHR300150	300	150
CLHR450150	450	150
CLHR450300	450	300
CLHR600150	600	150
CLHR600300	600	300
CLHR600450	600	450
CLHR900150	900	150
CLHR900300	900	300
CLHR900450	900	450
CLHR900600	900	600

- A Aluminium
- G Galvabond
- H Hot Dip Galvansied
- S Stainless Steel

Cable Ladder - Left Hand Reducer Cover

Note

Powder coating and non standard finishes on request against firm orders only and are non returnable.

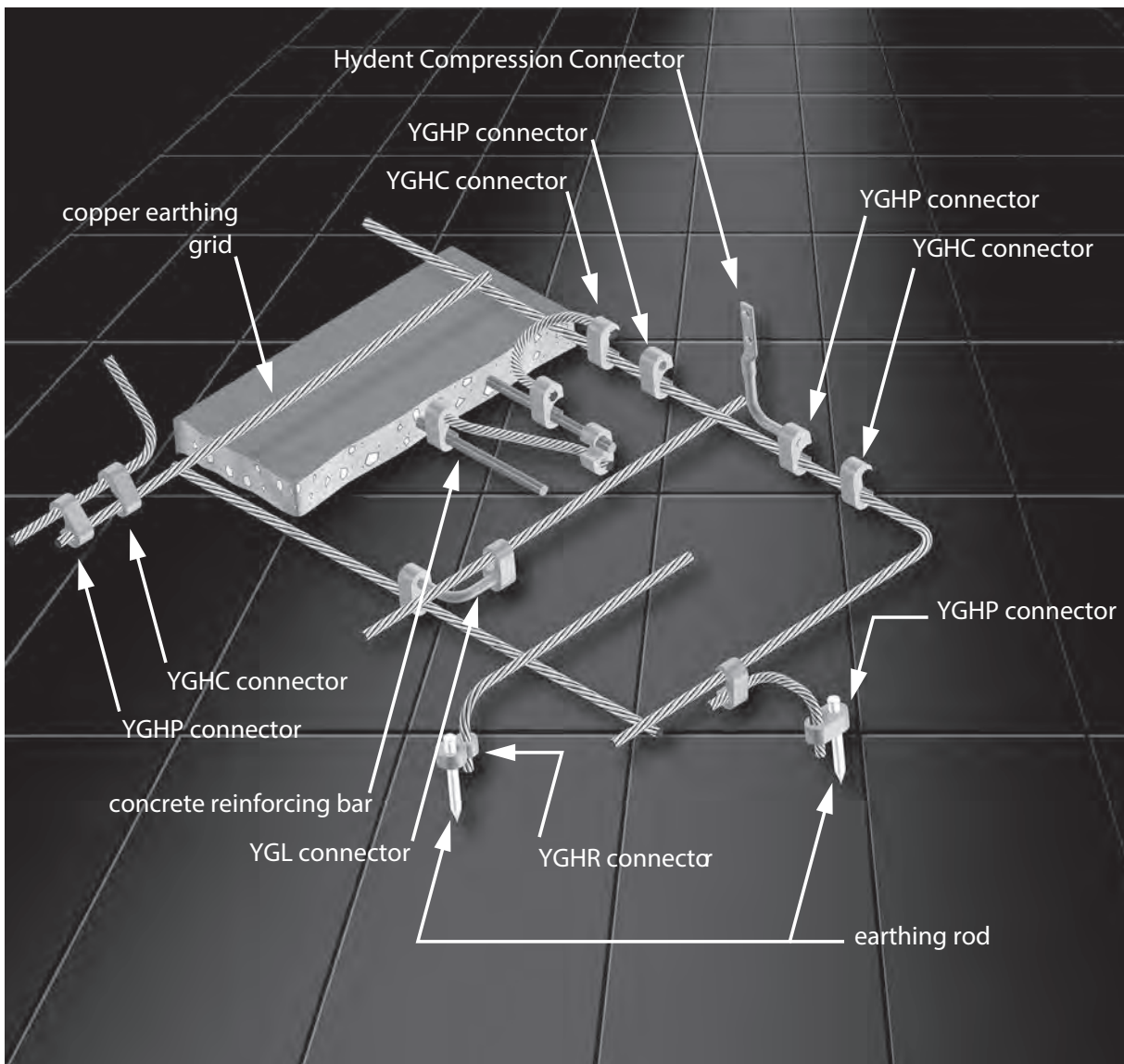


Ordering Code	Width W1 mm	Width W2 mm
CRHR300150	300	150
CRHR450150	450	150
CRHR450300	450	300
CRHR600150	600	150
CRHR600300	600	300
CRHR600450	600	450
CRHR900150	900	150
CRHR900300	900	300
CRHR900450	900	450
CRHR900600	900	600

- A Aluminium
- G Galvabond
- H Hot Dip Galvansied
- S Stainless Steel

Cable Ladder - Right Hand Reducer Cover

- CHANNELS 1
- NUTS & BOLTS 2
- CANTILEVER BRACKETS 3
- CHANNEL FITTINGS 4
- LADDERTRAYS 5
- CABLE MESH 6
- STEEL LADDERS 7
- ALUMINIUM LADDERS 8
- FIRE RATED 9
- COVERS 10**
- HYGROUND 11



Features of Hyground

Hyground connectors are manufactured from pure wrought copper extrusions.

Hyground connectors have a current carrying capacity greater than or equivalent to the conductor.

The simplicity of installation of Hyground connectors means that installation is not affected by the weather.

The crimping process produces a very clear and evident embossing of the Hyground connector. A sound crimp can be confirmed by a quick visual inspection.

Hyground connectors are safe and simple to use. Installation requiring no special training, protective clothing, elaborate fixtures or cleaning procedures.

All Hyground connectors are clearly marked with a number, conductor size and installation die number.

CHANNELS

1

NUTS & BOLTS

2

CANTILEVER BRACKETS

3

CHANNEL FITTINGS

4

LADDERTRAYS

5

CABLE MESH

6

STEEL LADDERS

7

ALUMINIUM LADDERS

8

FIRE RATED

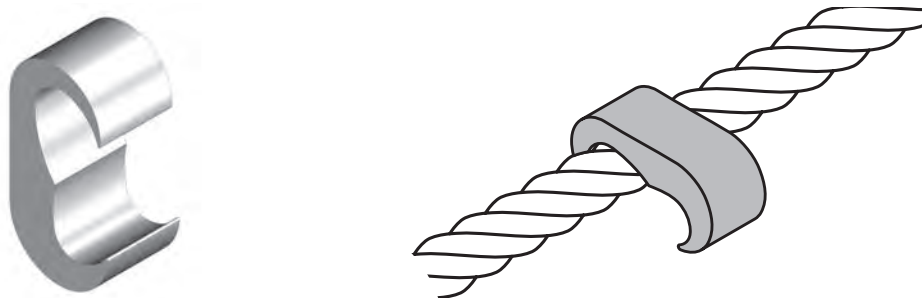
9

HYGROUND

10

HYGROUND

11



Catalogue Number	Copper Conductor		Range Installation Tooling	
	Run (mm ²)	Tap (mm ²)	Y35/Y750 Die	Y46 Die *
YGHC2C2	10-35	10-35	U-C	U-C
YGHC26C2	50-70	10-35	U-0	U-0
YGHC26C26	50-70	50-70	U-0	U-0
YGHC29C26	95-120	16-70	U997	U997
YGHC29C29	95-120	95-120	U997	U997
YGHC34C26	150-240	16-70	U1011	U1011 or P1011
YGHC34C29	150-240	95-120	U1011	U1011 or P1011
YGHC34C34	150-240	150-240	-	U1011 or P1011

* P-UADP adaptor to be used in Y46 Head to accept U or PU dies.

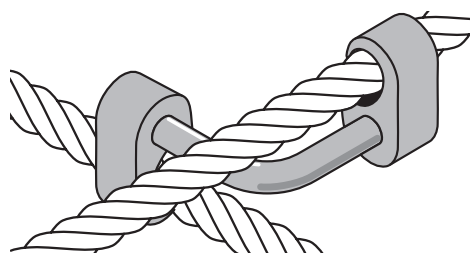
Hyground YGHC



Catalogue Number	Copper Conductor		Range Installation Tooling	
	Run (mm ²)	Tap (mm ²)	Y35/Y750 Die	Y46 Die *
YGHP2C2	10-35	10-35	U-0	U-0
YGHP29C2	50-120 (13-15mm rod)	16-35	U997	U997
YGHP29C26	50-120 (13-15mm rod)	50-70	U997	U997
YGHP29C29	50-120 (13-15mm rod)	95-120	U997	U997
YGHP34C2	150-24 (16-19mm rod)	16-35	PU998	PU998 or P998
YGHP34C26	150-240 (16-19mm rod)	50-70	PU998	PU998 or P998
YGHP34C29	150-240 (16-19mm rod)	95-120	PU998	PU998 or P998
YGHP34C34	150-240 (16-19mm rod)	150-240	-	U1011 or P1011

* P-UADP adaptor to be used in Y46 Head to accept U or PU dies.

Hyground YGHP

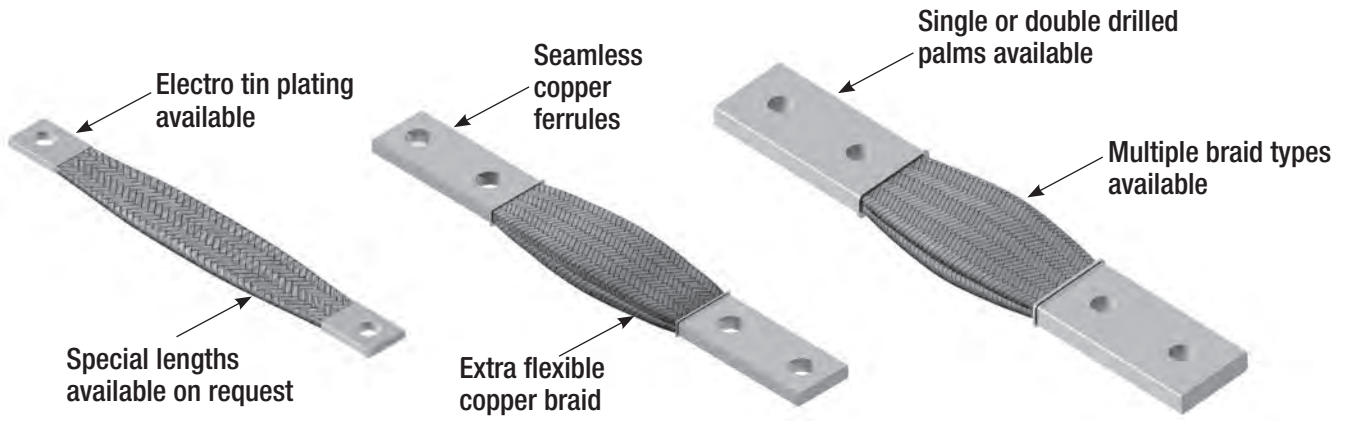


Catalogue Number	Copper Conductor Range		Installation Tooling			
	Run (mm ²)	Tap (mm ²)	Y35/Y750 Die		Y46 Die *	
			Run A	Run B	Run A	Run B
YGL2C2	10-35	10-35	U-0	U-0	U-0	U-0
YGL29C2	50-120 (13-15mm rod)	10-35	U997	U-0	U997	U-0
YGL29C29	35-120 (13-15mm rod)	35-120	U997	U997	U997	U997
YGL34C2	150-240 (16-19mm rod)	10-35	PU998	U-0	PU998 or P998	U-0
YGL34C29	150-240 (16-19mm rod)	35-120	PU998	U997	PU998 or P998	U997
YGL34C34	150-240 (16-19mm rod)	150-240	U1011	U1011	P1011	P1011

* P-UADP adaptor to be used in Y46 Head to accept U or PU dies.

Hyground YGL

- CHANNELS 1
- NUTS & BOLTS 2
- CANTILEVER BRACKETS 3
- CHANNEL FITTINGS 4
- LADDERTRAYS 5
- CABLE MESH 6
- STEEL LADDERS 7
- ALUMINIUM LADDERS 8
- FIRE RATED 9
- HYGROUND 10
- HYGROUND 11



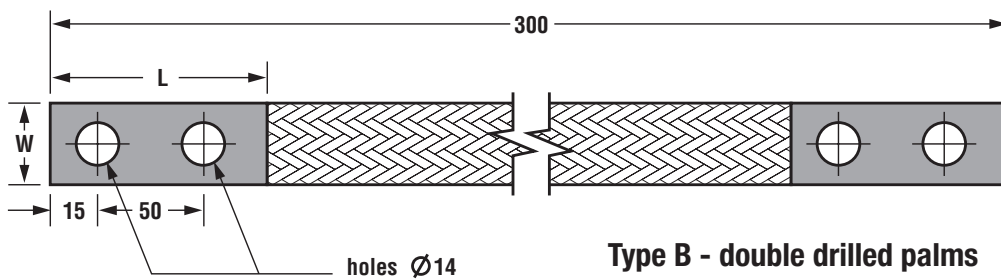
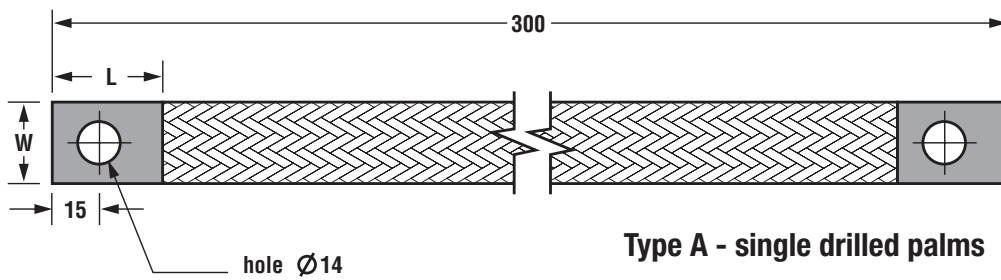
Type D - single layer

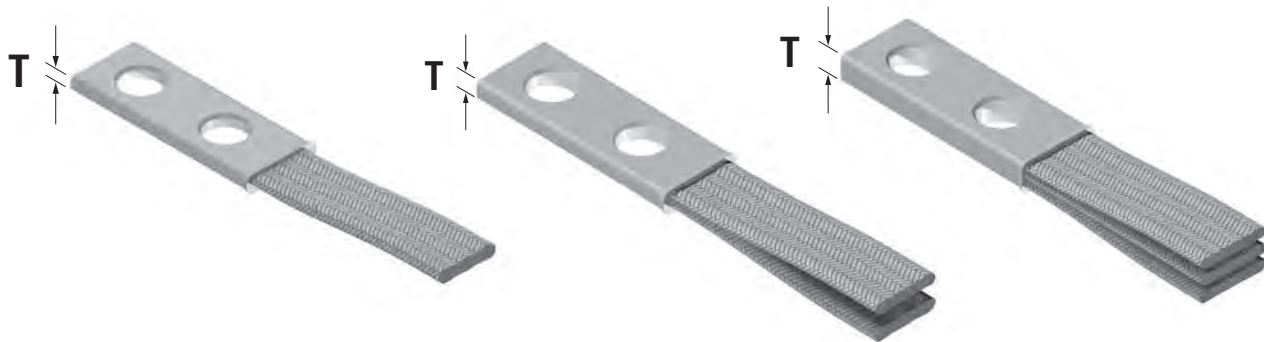


Type E - double layer



Type F - triple layer





Flexible Copper Braids - Single Braid

Catalogue Number	Current Rating (Amperes)	Braids in Ferrule	Holes in Each Ferrule	Braid Weave	Ferrule Finish	Ferrule Dimensions (mm)		
						W	L	T
BUA19L30M12	190	1	1	D	Untinned	24	35	3
BTA19L30M12	190	1	1	D	Tinned	24	35	3
BUB19L30M12	190	1	2	D	Untinned	24	35	3
BUB19L30MU	190	1	2	D	Untinned	24	35	3
BUA19L30M12	190	1	2	D	Tinned	24	35	3
BUA34L30M12	340	1	1	E	Untinned	30	40	6
BTA34L30M12	340	1	1	E	Tinned	30	40	6
BUB34L30M12	340	1	2	E	Untinned	30	85	6
BTB34L30M12	340	1	2	E	Tinned	30	85	6

Flexible Copper Braids - Double Braid

Catalogue Number	Current Rating (Amperes)	Braids in Ferrule	Holes in Each Ferrule	Braid Weave	Ferrule Finish	Ferrule Dimensions (mm)		
						W	L	T
BUB53L30M12	530	2	2	E	Untinned	30	85	9
BTB53L30M12	530	2	2	E	Tinned	30	85	9
BUB60L30M12	600	2	2	F	Untinned	30	85	10
BTB60L30M12	600	2	2	F	Tinned	30	85	10

Flexible Copper Braids - Triple Braid

Catalogue Number	Current Rating (Amperes)	Braids in Ferrule	Holes in Each Ferrule	Braid Weave	Ferrule Finish	Ferrule Dimensions (mm)		
						W	L	T
BUB82L30M12	820	3	2	F	Untinned	37	85	14
BTB82L30M12	820	3	2	F	Tinned	37	85	14
BUB100L30M12	1000	3	2	F	Untinned	38	85	19
BTB100L30M12	1000	3	2	F	Tinned	38	85	19

Note

- Standard braid length is 300 mm.
- Nominated current ratings are indoor.
- Braid material is tinned.
- Ferrule tinning is optional.

Flexible Copper Braids

CHANNELS 1

NUTS & BOLTS 2

CANTILEVER BRACKETS 3

CHANNEL FITTINGS 4

LADDERTRAYS 5

CABLE MESH 6

STEEL LADDERS 7

ALUMINIUM LADDERS 8

FIRE RATED 9

HYGROUND 10

HYGROUND 11

Installation Tooling

Catalogue Number	Product Description
MD6-8 MY29-3 BM101	Hand Operated Tool. Crimp range 6 mm ² to 120 m ² Indent Mechanical Tool. Crimp range 16 mm ² to 120 mm ² Threaded Rod Cutter. Cuts 8 mm and 10
Y35 Y750 PAT750XT-18V	12 Ton Hydraulic Tool. Crimp range 16 mm ² to 300 mm ² 12 Ton Hydraulic Tool. Crimp range 16 mm ² to 300 mm ² , wide jaw Battery Actuated 12 Tool Hydraulic Tool. Crimp range 16 mm ² to 300 mm ²
Y35BH Y750BH Y46BH Y60BHU RHCC245CUAL EP10-1HP-2 FP10 HP10 PT29901-10 PT29901-15	12 Ton Hydraulic Remote Head. Crimp range 16 mm ² to 300 mm ² 12 Ton Hydraulic Remote Head. Crimp range 16 mm ² to 300 mm ² 15 Ton Hydraulic Remote Head. Crimp range 16 mm ² to 630 mm ² , copper 60 Ton Remote Hydraulic Head. Crimp range 16 mm ² to 630 mm ² Hydraulic Cutter, copper & aluminium 240v Electric Hydraulic Pump, 10,000 psi Foot Operated Hydraulic Pump, 10,000 psi Hand Operated Hydraulic Pump, 10,000 psi Hydraulic Hose 10,000 psi, 3 mtr Hydraulic Hose 10,000 psi, 4.5 mtr
U16 U25 U35 U50 U70 U95 U120 U150 U185 U240 U300	Hexagonal die to crimp 16 mm ² copper connectors Hexagonal die to crimp 25 mm ² copper connectors Hexagonal die to crimp 35 mm ² copper connectors Hexagonal die to crimp 50 mm ² copper connectors Hexagonal die to crimp 70 mm ² copper connectors Hexagonal die to crimp 95 mm ² copper connectors Hexagonal die to crimp 120 mm ² copper connectors Hexagonal die to crimp 150 mm ² copper connectors Hexagonal die to crimp 185 mm ² copper connectors Hexagonal die to crimp 240 mm ² copper connectors Hexagonal die to crimp 300 mm ² copper connectors
P400 P500 P630 P-UADP	Hexagonal die to crimp 400 mm ² copper connectors. Suits Y46 Hexagonal die to crimp 500 mm ² copper connectors. Suits Y46 Hexagonal die to crimp 630 mm ² copper connectors. Suits Y46 Adaptor allows Y46 to accept U-Dies 16-300 mm ²
U-C U-0 U-997 PU998 U1011	Hyground Die Hyground Die Hyground Die Hyground Die Hyground Die
UA12 UA16 UA21.5 UA27 UA35	Hex Die to crimp aluminium connectors 10-35 mm ² Hex Die to crimp aluminium connectors 50-70 mm ² Hex Die to crimp aluminium connectors 95-120 mm ² Hex Die to crimp aluminium connectors 150-185 mm ² Hex Die to crimp aluminium connectors 240-300 mm ²
P8A PEN A-13 PENE-8	Aluminium Jointing Compound 225 ml Aluminium Jointing Compound 225 ml Copper Jointing Compound 225 ml

B

B5 SERIES	4.20	B1066	4.1
B422J	4.18	B1067	4.2
B922J	4.18	B1068	4.3
B1000B	1.1	B1184	4.17
B1000CIH	1.13	B1186	4.7
B1000FRP	1.1	B1220B	4.19
B1000G	1.1	B1221T	4.19
B1000H	1.1	B1222C	4.19
B1000S	1.1	B1271	4.12
B1000TG	1.8	B1272	4.12
B1000TH	1.8	B1325	4.4
B1000TS	1.8	B1326	4.4
B1001	1.15	B1354	4.11
B1001A	1.16	B1357	4.6
B1001B	1.16	B1358	4.2
B1001C	1.16	B1359	4.6
B1003H	1.15	B1376	4.8
B1006 - B1010	2.4	B1377	4.9
B1026	4.3	B1386	4.12
B1031	4.3	B1458	4.4
B1033	4.5	B1546	4.7
B1033-1	4.5	B1786	4.13
B1033-1	5.5	B1941	4.2
B1033-1	5.9	B1964	4.1
B1036	4.3	B2000A	1.3
B1037	4.5	B2000G	1.2
B1038	4.5	B2000H	1.2
B1044	4.9	B2000TG	1.9
B1045	4.6	B2000TH	1.9
B1047	4.7	B2001	1.15
B1062	4.1	B2072A	4.9
B1063	4.1	B2072S1	4.9
B1064	4.1	B2073	4.10
B1065	4.1	B2224	4.8
		B2228	4.8

B2240	4.17	B4001	1.15
B2324	4.2	B4006 - B4010	2.4
B2346	4.8	B4045	4.6
B2377Z	4.18	B4047	4.7
B2452	4.11	B5500G	1.7
B2484	4.4	B5500H	1.7
B2539	4.17	B5500TG	1.12
B2675	4.16	B5500TH	1.12
B2675-1	4.16	B5501	1.15
B2676	4.16	B5547H	4.10
B2676-1	4.16	B5580	4.17
B2749	4.16	B10754H	3.2
B2750	4.16	B10758H	3.2
B2785	4.13	BC10H	4.15
B2786	4.13	BC12H	4.15
B2815	4.10	BCM150	6.1
B2815D	4.10	BCM300	6.1
B2855	4.17	BCM450	6.1
B3006 - B3010	2.3	BCM600	6.1
B3016	2.5	BCMC150	6.5
B3087	4.14	BCMC300	6.5
B3300B	1.4	BCMC450	6.5
B3300CIH	1.14	BCMC600	6.5
B3300G	1.4	BCMCCS	6.6
B3300H	1.4	BCMCG	6.3
B3300S	1.4	BCMCHD	6.6
B3300TG	1.10	BCMCP	6.2
B3300TH	1.10	BCMCPF	6.3
B3301	1.15	BCM CU	6.6
B3380	4.17	BCMHD	6.5
B4000A	1.6	BCMHH	6.3
B4000G	1.5	BCMP10Z	4.15
B4000H	1.5	BCMSB	6.2
B4000TG	1.11	BCMSP	6.2
B4000TH	1.11	BCMST	6.6

BCMT2.5MTR	6.4
BCMT2.5MTRPG	6.4
BCMT150	6.4
BCMT150PG	6.4
BCMT300	6.4
BCMT300PG	6.4
BCMT450	6.4
BCMT450PG	6.4
BCMT600	6.4
BCMT600PG	6.4
BCMUB	6.6
BCMWB150	6.5
BCMWB300	6.5
BCMWB450	6.5
BCMWB600	6.5
BES6-200	5.5
BES16-300	5.5
BES35-350	5.5
BES35-500	5.5
BES70-500	5.5
BFRSBHDH	9.24
BFRSBMDH	9.24
BHMP10Z	4.15
BIFS	8.11, 8.23, 8.35, 8.47
BM101	11.6
BTA19L30M12	11.5
BTA34L30M12	11.5
BTB34L30M12	11.5
BTB53L30M12	11.5
BTB60L30M12	11.5
BTB82L30M12	11.5
BTB100L30M12	11.5
BTHF	8.34, 8.46
BUA19L30M12	11.5
BUA34L30M12	11.5

BUB19L30M12	11.5
BUB19L30MU	11.5
BUB34L30M12	11.5
BUB53L30M12	11.5
BUB60L30M12	11.5
BUB82L30M12	11.5
BUB100L30M12	11.5
BVMP10Z	4.15

C

CB Series	10.12
CC Series	10.16
CER Series	10.14
CFCT Series	10.5
CFLT Series	5.10
CFN1 Series	10.1
CFN2/3/4 Series	10.3
CIR Series	10.15
CLB335FRH	9.25
CLB485FRH	9.25
CLB635FRH	9.25
CLB SERIES	3.1
CLD SERIES	3.1
CLHR Series	10.18
CL SERIES	3.1
CPCT Series	10.11
CPLT Series	5.10
CPN1 Series	10.7
CPN2/3/4 Series	10.9
CRHR Series	10.19
CSR Series	10.17
CT75 - CT600	5.19
CTB Series	5.19
CT Series	10.13
CTT Series	5.20

D

DB SERIES	2.5
DCB Series	5.17
DCL Series	5.15
DCT Series	5.18
DSL Series	5.16
DSLT3	5.4
DSLT5	5.9
DSN1	7.9
DSN1A	8.10
DSN2	7.22
DSN2A	8.22
DSN3	7.35
DSN3A	8.35
DSN4	7.48
DSN4A	8.47
E	
EP10-1HP-2	11.6
F	
FP10	11.6
FR5C	9.22
FR7BCM	9.20
FR12LT5	9.16
FR20LT5	9.18
FR50L	9.2
FR50LT3	9.14
FR50VL	9.4
FR60L	9.6
FR70L	9.8
FR100L	9.10
FR150L	9.12
FRMDSBBC	9.24
FW8N	8.23, 8.34, 8.46
FW SERIES	2.2
H	
HD	7.22

HDA	8.12, 8.24, 8.36, 8.48
HDKA	8.24, 8.36, 8.48
HDKIA	8.24, 8.36, 8.48
HN8S	8.23, 8.34, 8.46
HN SERIES	2.1
HP10	11.6
HS820S	8.23, 8.34, 8.46
HS SERIES	2.1
I	
IF8N	8.23
L	
LT1	5.1
LT1RLG	5.1
LT1RPG	5.1
LT1SG	5.1
LT3	5.2
LT3HD	5.3
LT3RL	5.3
LT3RP	5.4
LT3S	5.3
LT3TXH	5.4
LT5	5.6
LT5HD	5.7
LT5RL	5.7
LT5RP	5.8
LT5S	5.7
LT5TX	5.7
LTBOLT	5.4, 5.8
LTCHD	5.3
LTNUT	5.4, 5.8
LTTS150	5.5, 5.9
LTTS300	5.5, 5.9
LTTS450	5.5, 5.9
LTTS600	5.5, 5.9

M

MD6-8	11.6	N1VSKA	8.10
MW SERIES	2.3	N2B Aluminium Series	8.14
MY29-3	11.6	N2B Steel Series	7.13
N		N2C Aluminium Series	8.18
N1B Aluminium Series	8.2	N2CCAS	8.23
N1B Series	7.3	N2CCS	7.22
N1C Aluminium Series	8.6	N2C Steel Series	7.17
N1CCAS	8.11	N2ER Aluminium Series	8.16
N1CCS	7.9	N2ER Steel Series	7.15
N1C Series	7.5	N2HS	7.21
N1ER Aluminium Series	8.4	N2HSA	8.22
N1ER Series	7.4	N2IR Aluminium Series	8.17
N1HD	7.9	N2IR Steel Series	7.16
N1HSA	8.10	N2L150RIH-F6	9.2, 9.4
N1HSH	7.8	N2L300RIH-F6	9.2, 9.4
N1HSKA	8.10	N2L450RIH-F6	9.2, 9.4
N1IR Aluminium Series	8.5	N2L600RIH-F6	9.2, 9.4
N1IR Series	7.4	N2L Aluminium Series	8.13
N1L Aluminium Series	8.1	N2LHR Aluminium Series	8.20
N1LHR Aluminium Series	8.8	N2LHR Series	7.19
N1LHR Series	7.6	N2L Steel Series	7.11, 7.12
N1L Series	7.1	N2RHR Aluminium Series	8.21
N1RHR Aluminium Series	8.9	N2RHR Series	7.20
N1RHR Series	7.7	N2S	7.21
N1RL Series	7.2	N2SA	8.22
N1SA	8.10	N2SR Aluminium Series	8.19
N1SH	7.8	N2SR Series	7.18
N1SHH	7.10	N2T Aluminium Series	8.15
N1SKA	8.10	N2T Steel Series	7.14
N1SR Aluminium Series	8.7	N2VS	7.21
N1SR Series	7.5	N2VSA	8.22
N1T Aluminium Series	8.3	N3B Aluminium Series	8.26
N1T Series	7.3	N3B Series	7.26
N1VSA	8.10	N3C Aluminium Series	8.30
N1VSH	7.8	N3CCAS	8.35

N3CCS	7.35	N4HS	7.47
N3C Series	7.30	N4HSA	8.46
N3ER Aluminium Series	8.28	N4IR Aluminium Series	8.41
N3ER Series	7.28	N4IR Series	7.42
N3HS	7.34	N4L150RIH-F6	9.8, 9.12
N3HSA	8.34	N4L300RIH-F6	9.8, 9.12
N3IR Aluminium Series	8.29	N4L450RIH-F6	9.8, 9.12
N3IR Series	7.29	N4L600RIH-F6	9.8, 9.12
N3L150RIH-F6	9.6	N4L900RIH-F6	9.10
N3L300RIH-F6	9.6	N4L Aluminium Series	8.37
N3L450RIH-F6	9.6	N4LHR Aluminium Series	8.44
N3L600RIH-F6	9.6	N4LHR Series	7.45
N3L Aluminium Series	8.25	N4L Steel Series	7.37, 7.38
N3LHD Steel Series	7.25	N4RHR Aluminium Series	8.45
N3LHR Aluminium Series	8.32	N4RHR Series	7.46
N3LHR Series	7.32	N4S	7.47
N3L Steel Series	7.23, 7.24	N4SA	8.46
N3RHR Aluminium Series	8.33	N4SR Aluminium Series	8.43
N3RHR Series	7.33	N4SR Series	7.44
N3S	7.34	N4T Aluminium Series	8.39
N3SA	8.34	N4T Series	7.40
N3SR Aluminium Series	8.31	N4VS	7.47
N3SR Series	7.31	N4VSA	8.46
N3T Aluminium Series	8.27	P	
N3T Series	7.27	P8A	11.6
N3VS	7.34	P400	11.6
N3VSA	8.34	P500	11.6
N4B Aluminium Series	8.38	P630	11.6
N4B Series	7.39	PAT750XT-18V	11.6
N4C Aluminium Series	8.42	PC10Z	4.15
N4CCAS	8.47	PEN A-13	11.6
N4CCS	7.48	PENE-8	11.6
N4C Series	7.43	PS SERIES	2.2
N4ER Aluminium Series	8.40	PT29901-10	11.6
N4ER Series	7.41	PT29901-15	11.6

PU998 **11.6**

P-UADP **11.6**

R

RC SERIES **2.3**

RHCC245CUAL **11.6**

S

SA3030H **1.17**

SA4040H **1.17**

SA5050H **1.17**

SB **7.21**

SH10Z **2.6**

SN **7.21**

ST SERIES **2.5**

SW SERIES **2.2**

T

TR SERIES **2.3**

U

U16 **11.6**

U25 **11.6**

U35 **11.6**

U50 **11.6**

U70 **11.6**

U95 **11.6**

U120 **11.6**

U150 **11.6**

U185 **11.6**

U240 **11.6**

U300 **11.6**

U-997 **11.6**

U1011 **11.6**

UA12 **11.6**

UA16 **11.6**

UA21.5 **11.6**

UA27 **11.6**

UA35 **11.6**

U-C **11.6**

U-O **11.6**

V

VH10CD **2.6**

VH10CZ **2.6**

VH10SD **2.6**

VH10WZ **2.6**

VH10Z **2.6**

W

WN10Z **2.5**

Y

Y60BHU **11.6**

Y35 **11.6**

Y35BH **11.6**

Y46BH **11.6**

Y750BH **11.6**

Y750 **11.6**

YGHC Series **11.2**

YGHP Series **11.2**

YGL Series **11.3**

To the best of Burndy's knowledge, the information contained is correct.
Errors and omissions excepted (E&OE)

Queensland

Brisbane Branch

131 Beenleigh Road, Acacia Ridge
Queensland, 4110
Phone 07 3219 6108
Fax 07 3219 6208
email burndy.qld@burndycss.com.au

Townsville Branch

75 - 81 Toll Street, Mount St John
Queensland, 4818
Phone 1300 287 639
Fax 1300 329 669
email burndy.qld@burndycss.com.au

New South Wales

11 Sunblest Crescent, Mt Druitt
New South Wales, 2770
Phone 02 9832 3377
Fax 02 9832 0733
email burndy.nsw@burndycss.com.au

Western Australia

91 - 93 McDowell Street, Welshpool
Western Australia, 6106
Phone 08 9458 1188
Fax 08 9458 1182
email burndy.wa@burndycss.com.au

Tasmania

Gordon Wood & Co

31 Sunderland Street, Moonah
Tasmania, 7009
Phone 03 6273 4455
Fax 03 6273 4734
email wgordon@iinet.com.au